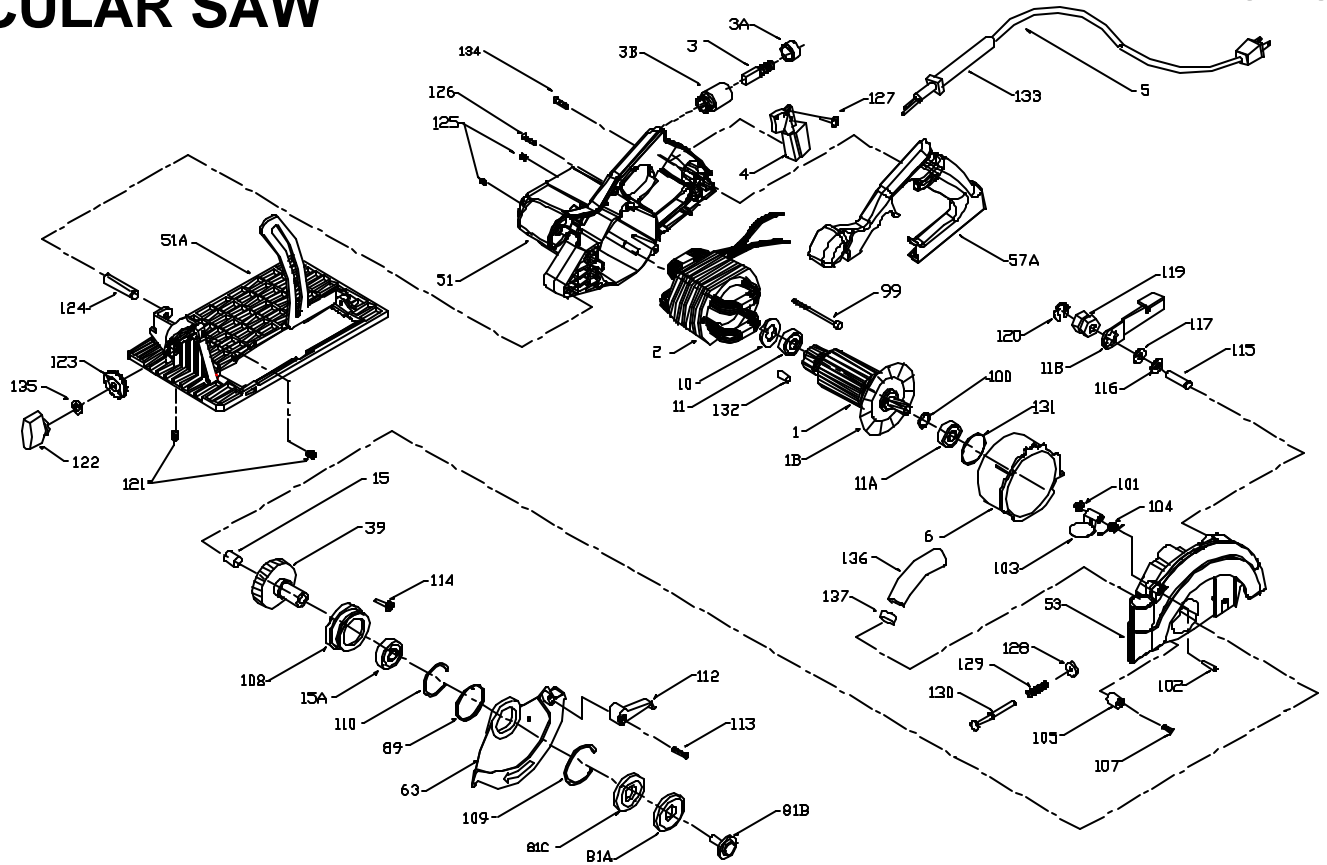


PORTER-CABLE

CIRCULAR SAW

WARNING: Electrical repairs should only be attempted by trained repairmen. Contact the nearest Porter-Cable Service Center or other competent repair center.

743
843



Ref. No.	Part No.	Description	Ref. No.	Part No.	Description	Ref. No.	Part No.	Description
1	881869	Armature	102	697382	Rivet	135	802417	Lock Washer
1B	879535	Fan	103	697381	Exhaust Cover	136	877694	Directional Exhaust Nozzle
2	881870	Field, 743	104	697402	Spring	137	839330	Nozzle Retainer
	881871	Field, 843	105	845359	Bumper	*	878391	Blade Wrench
3	878266	Brush & Spring	107	879548	Screw	*	879751	Lubricant, 4 lb. Can
3A	876059	Brush Cap	108	879507	J'Shaft Cover	*	878499	Lubricant, 5 1/2 oz. Tube
3B	876058	Brush Holder	109	876043	Snap-Ring	*	698386	Warning Label
4	879013	Switch, 743, Incl:	110	877688	Snap-Ring	ACCESSORIES: (Optional)		
	876958	Terminal Screw	112	879544	Lever	*	39334	Dust Bag Assy.
	879016	Switch, 843, Incl:	113	842816	Screw	*	39332	Vacuum Hose Assy.
	876958	Terminal Screw	114	845619	Screw	*	882702	Plastic Carrying Case, Incl. Carrying Case Latch
5	875692	Cord	115	879525	Screw	*	53124	Rip Guide
6	879511	Baffle	116	859359	Washer	*	842935	Screw
10	683981	Spring Washer	117	698241	Spring Washer	*	823383	Spring
11	879009	Bearing	118	879524	Lever	Blade: 7 1/4" Diameter, with 5/8" Mounting Hole (Or Diamond Hole if 48041 Kit is Used) Rated for 6000 RPM or Higher		
11A	879010	Bearing	119	879186	Nut	*	Not Shown	
15	879012	Bearing	120	696656	Snap-Ring	**	See Service Notes	
15A	855214	Bearing	121	876016	Set-Screw			
39	881872	Gear & J'Shaft Assy.	122	876014	Knob			
51	879510	Motor Housing	123	876013	Lock Lever			
51A	879539	Base Assembly	124	874385	Rolled-Pin			
53	879541	Gear Case/ Upper Guard	125	881538	Set-Screw			
57A	879527	Handle Cover	126	881082	Screw			
63	879530	Lower Guard	127	882185	Screw			
81A	876031	Outer Blade Flange	128	878381	Sponge Seal			
81B	879523	Blade Bolt	129	696677	Spring			
81C	880253	Inner Blade Flange	130	878407	Lock Pin			
89	879522	Spring	131	876018	O-Ring			
99	872906	Screw	132	810425	Rubber Plug			
100	844571	Snap-Ring	133	843464	Strain Reliever			
101	878877	Retainer Clip	134	879678	Screw			

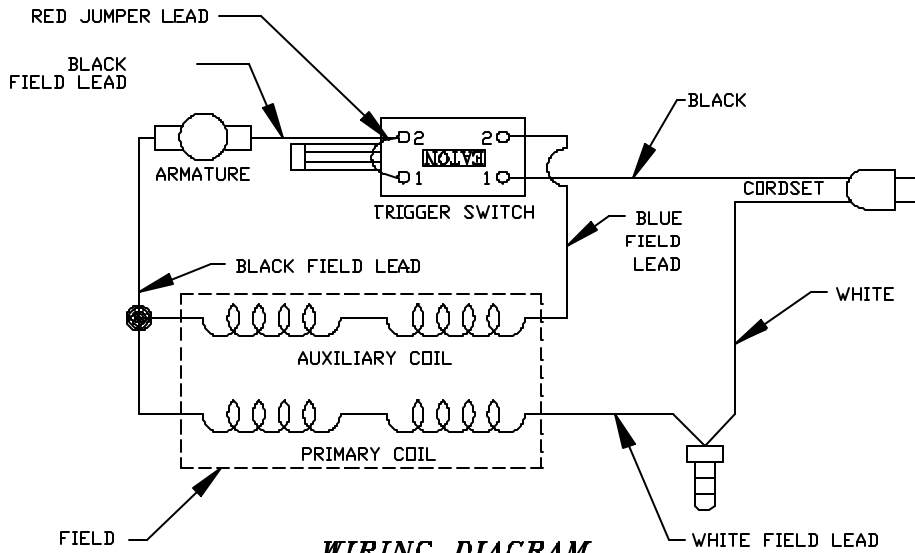
743 843

SERVICE NOTES

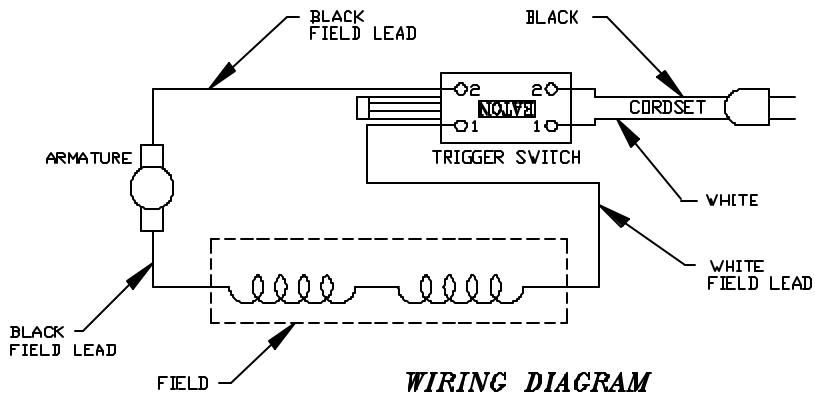
BLADE MOUNTING

Blades are 7 ¼" diameter, with 5/8" mounting hole (or diamond hole if 48081 kit is used), Rated for 6000 RPM or Higher.

WIRING DIAGRAMS



WIRING DIAGRAM
FOR MODEL 843 WITH BRAKE



WIRING DIAGRAM
FOR MODEL 743 WITHOUT BRAKE