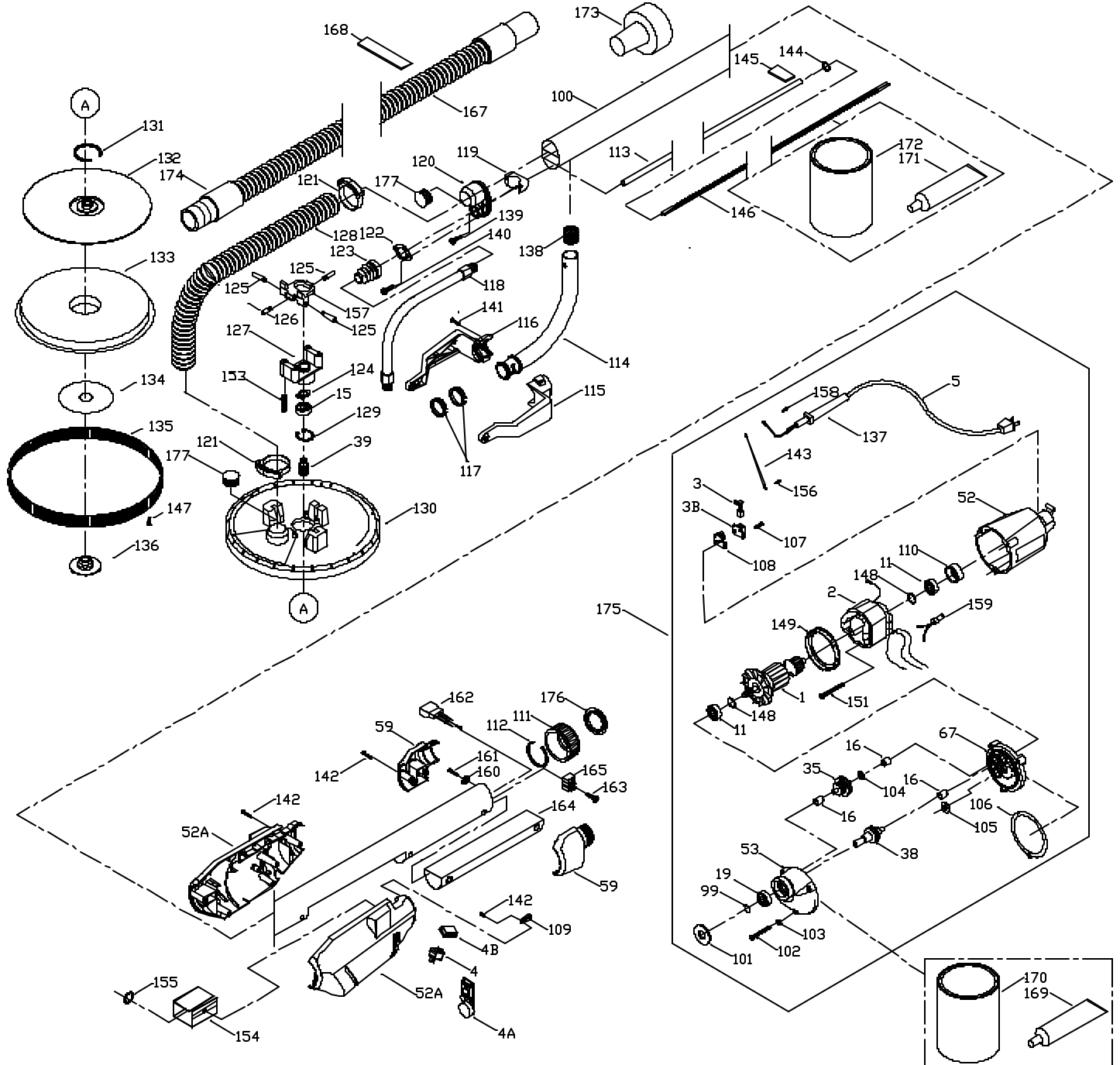


# PORTER-CABLE

## DRYWALL SANDER

**WARNING:** Electrical repairs should only be attempted by trained repairmen. Contact the nearest Porter-Cable Service Center or other competent repair center.

**7800**  
**7801**



# 7800

# 7801

Ref.	No.	Part No.	Description
	1	899519	Armature 120V 7800 T2, 7801
		877753	Armature, 7800 T1, 120V
		885333	Armature, 230V
		896939	Armature, 100V
	2	900134	Field 120 V 7800 T2
		899520	Field 120 V 7801
		877754	Field 120V 7800 T1
		885332	Field, 230V T1
		899569	Field 230V T2
		896940	Field 100V
	3	869734	Brush, 100V, 120V, 230V T1
		899568	Brush 230V T2
	3B	869691	Brush Holder
	4	887453	On / Off Switch, 100V, 120V
		887454	On / Off Switch, 230V
	4A	877723	Variable Speed Control, 7800, 100V, 120V
		882209	Variable Speed Control, 230V
	4B	877797	Dust Cover
	5	877781	Cord Assy., Incl. Ref. 137, 100V, 120V
		882018	Cord Assy., 230V
	11	855216	Bearing 120V & 230V 7800 T2, 7801
		855284	Bearing 100V 7800, 120V & 230V 7800 T1
	15	694147	Bearing
	16	693808	Needle Bearing
	19	883096	Bearing
	35	697674	Idler Gear Assy.
	38	877787	Spindle Gear Assy.
	39	877737	Spindle
	52	876677	Motor Hsg, Incl. Ref. 110
	52A	877743	Hsg Set, 7800
		899534	Hsg Set, 7801
	53	886654	Gear Hsq, Incl. Ref. 13
	59	885163	Vacuum Adapter Hsg, Set
	67	697684	Intermediate Plate
	99	859769	Snap-Ring
	100	877711	Main Tube, 100V, 120V
		885331	Main Tube & Nut Assy., 230V
	101	877713**	Foam Seal - CF
	102	694015	Screw
	103	802648	Washer
	104	848741	Washer
	105	852714	Slinger
	106	697203	Gasket
	107	864136	Screw
	108	811490	Insulator
	109	861434	Cord Clamp
	110	694432	Bearing Mount
	111	877772	Hose Clamp Nut
	112	877771	Clamp Ring, 7800
	113	877774	Guide Tube
	114	877729	Support Tube
	115	881951	Left Support Arm
	116	881943	Right Support Arm
	117	877730	Nylon Bushing
	118	887979	Casing
	119	877733	Tube Clamp Plate
	120	889303	Tube Support Hsq
	121	884843	Hose Clamp, 7800
	122	879737	Clamp Plate
	123	879772**	Bellows
	124	844571	Snap-Ring
	125	879685	Guide Pin (Long)
	126	879686	Guide Pin (Short)
	127	899234	Support Hsg 7800 T2, 7801 Incl.: Ref. 129
		877735	Support Hsq, 7800 T1
	128	877740	Hose, 7800
	129	859382	Retaining Ring 7800 T2, 7801
		877731	Snap-Ring, 7800 T1
	130	887492	Pad Hsq
	131	696667	Snap-Ring
	132	881789	Back-Up Pad

Ref.	No.	Part No.	Description
	133		Abrasive Pad, See Catalog
	134	877738	Washer
	135	877702	Brush / Skirt, 7800
		898609	Brush / Skirt, 7801
	136	877757	Nut
	137	810716	Strain Reliever
	138	879770	Dust Plug, 7800
	139	848565	Screw
	140	882187	Screw
	141	878813	Screw
	142	859384	Screw
	143	879829	Lead, 7800
	144	879769	O-Ring
	145	695620	Foam Pad
	146	877728**	Drive Shaft
	147	882703	Screw
	148	847564	Snap-Ring (Service Only)
	149	811350	Baffle
	151	876651	Screw
	153	877755	Spring
	154	877762	Insulator
	155	694980	Push-Nut
	156	864137	Screw
	157	877778	Pivot Plate
	158	848754	Screw
	159	682063	Wire Connector, 230V
	160	802214	Lock Washer (230V), 230V
	161	883485	Screw, 230V
	162	884775	Filter, 230V T1
		253207	Capacitor 230V T2
	163	884950	Screw, 230V
	164	884951	Tube Insulator, 230V
	165	890249	Terminal Block, 230V
	167	39780	13 Ft. Vac. Hose Assy., Incl.: Ref. 173 & 174, 7800
	168	877768	Cord to Hose Strap, (Hook & Loop), 7800
	169	878499	Gear Lubricant, 5 1/2 oz.
	170	879751	Gear Lubricant, 4 lbs.
	171	n 48220-1	Drive Shaft Lubricant, 5 1/2 oz.
	172	n 874809	Drive Shaft Lubricant, 4 lbs.
	173	882428	Hose Adapter, (2 1/2"), 7800
	174	890961	Hose Connector, 7800
	175	899774**	Motor Assembly, 100V, 120V
		906841**	Motor Assembly, 230V
	176	898606	Tube Cover, 7801
	177	898607	Insert 7801
	*	877752	Dust Bag, (Generic Shop Vac Style)

\* Not Shown  
 \*\* See Service Notes

# SERVICE NOTES

# 7800 7801

## BELLOWS (Ref. 123)

The Bellows protects the Drive Shaft from contamination, and is **critical** to the life of the Drive Shaft. The condition of the Bellows should be carefully checked as part of any Service Procedure.

## SEAL (Ref. 101)

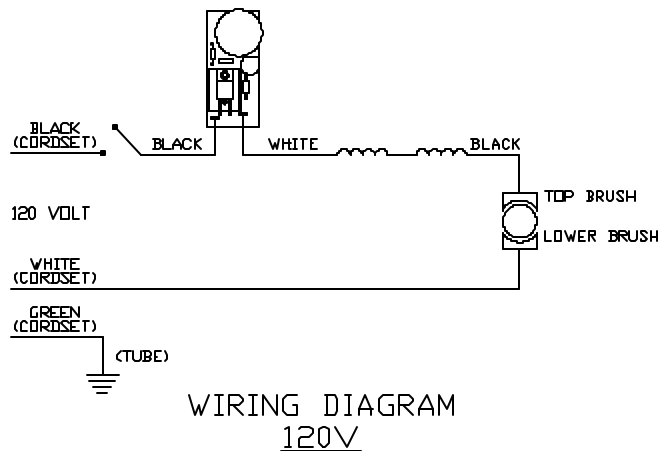
Seal Ref. 101 has been removed in current units as testing indicates it is not needed. Units that included the seal can be serviced either way.

## DRIVE SHAFT (Ref. 146)

The Drive Shaft should be **completely coated** with Special Lubricant 48220 (Bulk #874809). DO NOT substitute lubricants in this application.

The Drive Shaft is symmetrical (it can be installed in either direction). If the Drive Shaft is removed from the Sander (for any reason), it is recommended that it be reversed during re-assembly.

## Motor Assy. (Ref. 175)



The Motor Assy consist of : Ref. 1, Ref. 2, Ref. 3, Ref. 3B, Ref. 11, Ref. 16, Ref. 19, Ref. 35, Ref. 38, Ref. 52, Ref. 53, Ref. 67, Ref. 99, Ref. 101, Ref. 102, Ref. 103, Ref. 104, Ref. 105, Ref. 106, Ref. 107, Ref. 108, Ref. 110, Ref. 148, Ref. 149, Ref. 151, and Ref. 156.

## Wiring Diagram

