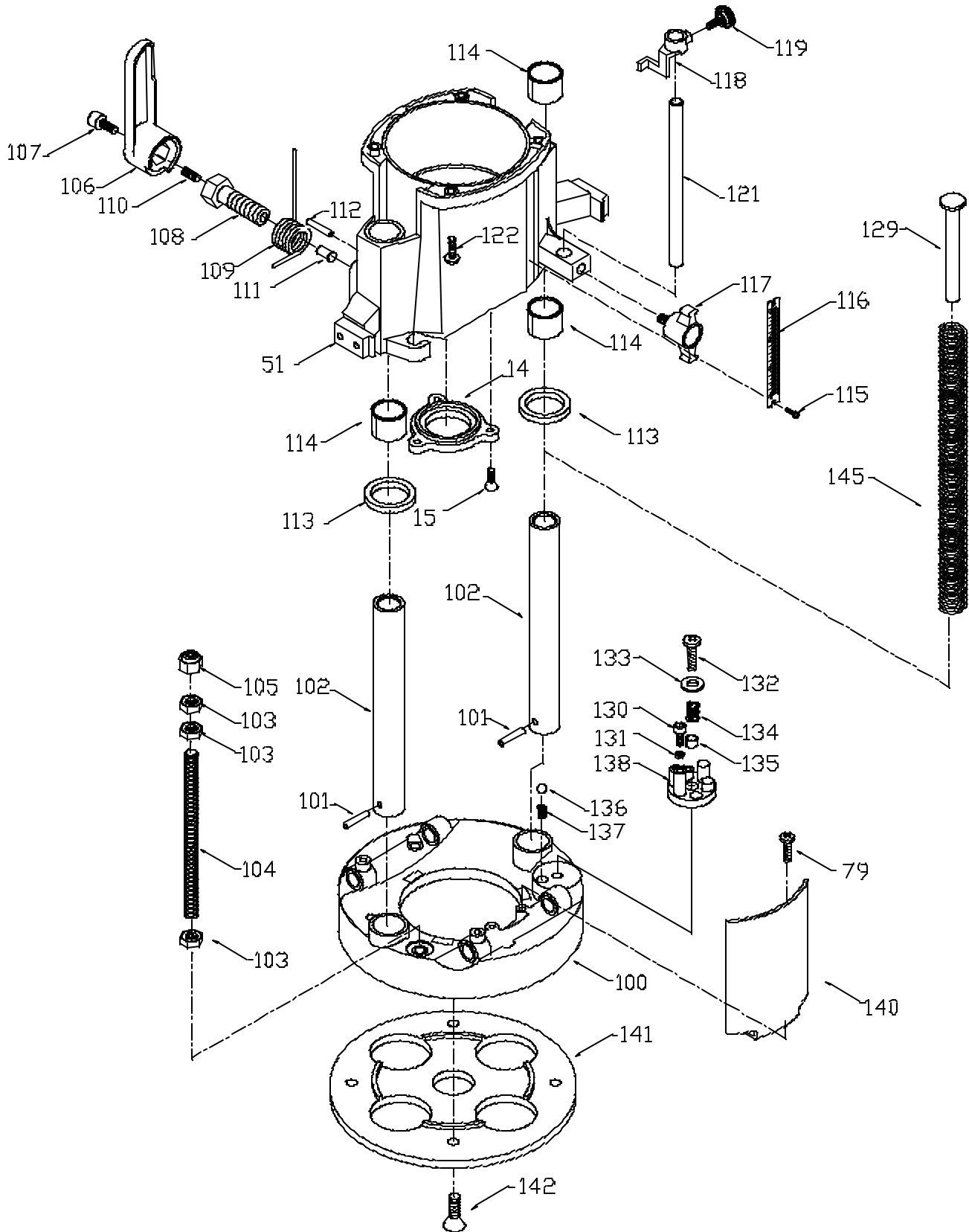


PORTER-CABLE PLUNGE ROUTER

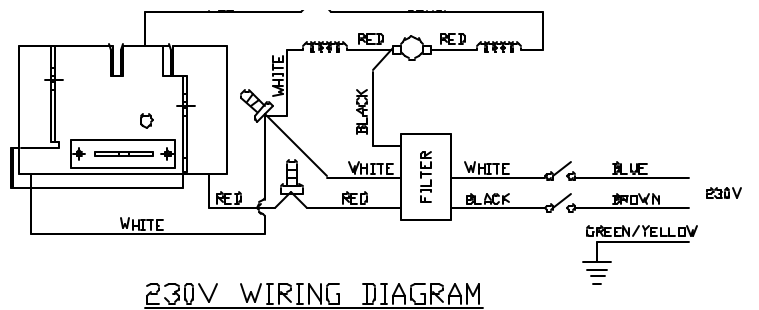
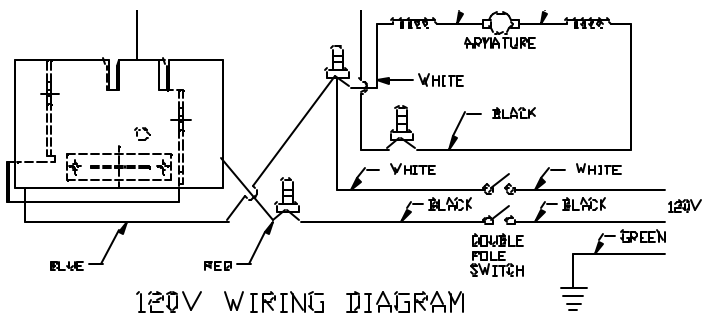
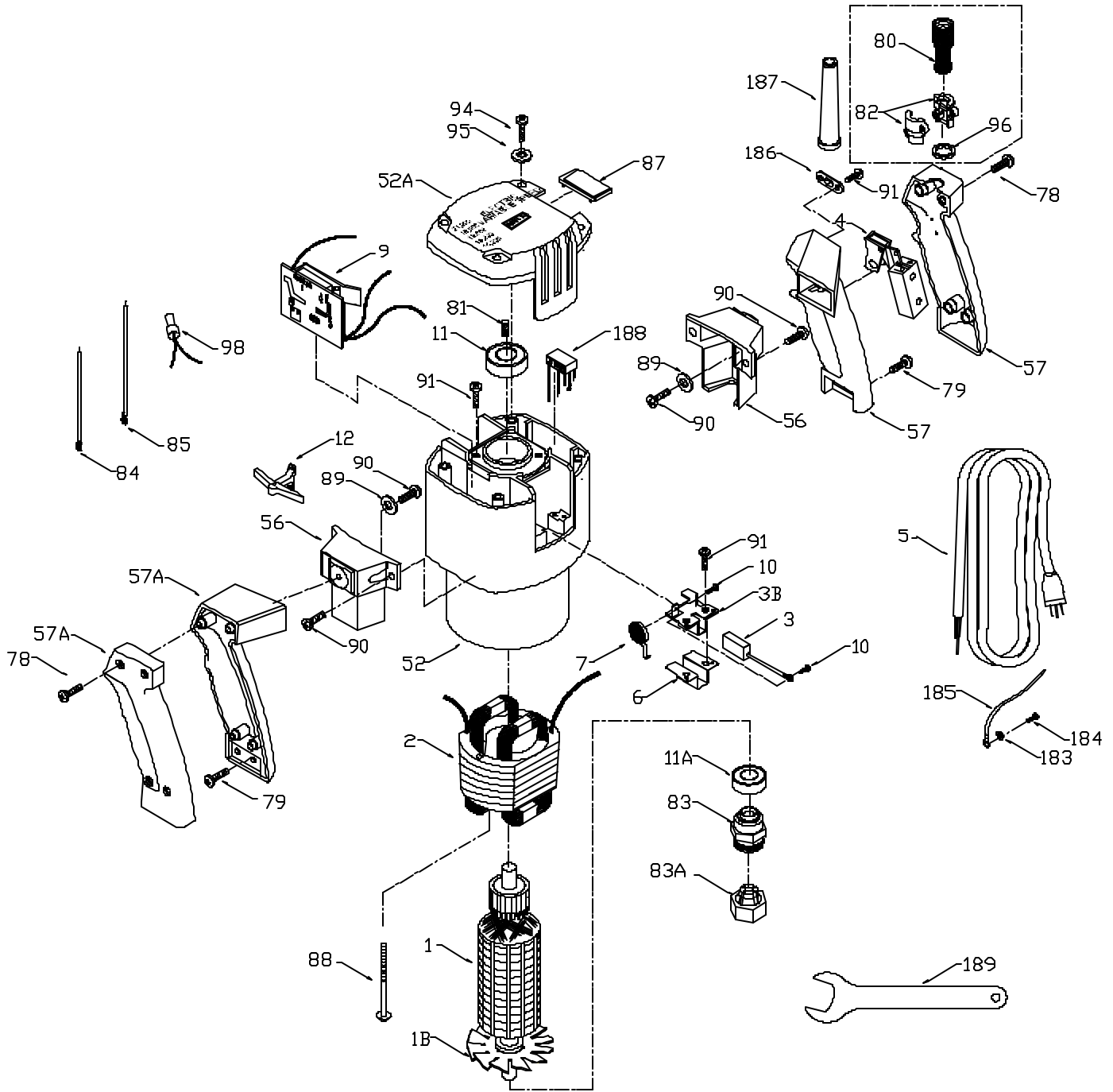
WARNING: Electrical repairs should only be attempted by trained repairmen. Contact the nearest Porter-Cable Service Center or other competent repair center.

7539



7539

WARNING: Electrical repairs should only be attempted by trained repairmen. Contact the nearest Porter-Cable Service Center or other competent repair center.



7539

Ref. No.	Part No.	Description
1	873638	Armature,120V, Incl. Ref. 1B
1B	874586	Armature, 230V, Incl. Ref. 1B, 230V, Incl. Ref. 1B
	875931	Armature Fan
2	873637	Field, 120V
	874587	Field, 230V
3	698873	Brush
3B	698844	Brush Holder
4	697452	Switch, T3, 120V
	884826	Switch, T3, 230V
	872719	Switch, T1, T2
5	825713	Cord, 120V, T2, T3
	875691	Cord, 120V, T1
	879758	Cord, 230V
6	698874	Brush Insulator
7	698872	Brush Spring
9	875087**	Speed Control, 120V, Incl.:
	877288	Insulator
	881098	Speed Control, 230V
10	852310	Screw
11	873636	Bearing
11A	873601	Bearing
12	874160	Control Lever
14	698811	Bearing Retainer
15	849819	Screw
51	877480	Motor Frame, T2, T3 Incl.: Ref. 114
	698884	Motor Frame, T1, Incl.: Ref. 114
52	877292	Motor Hsg./ Bearing Mount Assy., 120V Incl. Ref. 91
	884854	Motor Hsg./ Bearing Mount Assy., 230V Incl. Ref. 91
52A	891069	Cover
56	698856	Handle Mount (Left or Right)
57	885318**	R.H. Handle Set, T2, T3
57A	698847	L.H. Handle Set
78	879678	Screw
79	850596	Screw
80	872766	Spring-Strain Reliever, T1,T2
81	859069	Pipe Plug
82	874845	Bushing-Strain Reliever, T3, Incl.:
	874514	Screw
83	698807	Chuck
83A	42950**	Collet/Nut/Snap-Ring Assy., 120V,Incl.:
	875893**	Collet Nut
	823030**	Snap-Ring
	876671**	Collet
	44012	Collet/Nut/Snap-Ring Assy., 230V,(12mm)
84	874468	Black Lead
85	691784	White Lead
87	873300	Filler Plate
88	698810	Screw
89	872535	Washer
90	872519	Screw
91	882703	Screw
94	872521	Screw
95	872534	Washer
96	874845	Washer
98	689032	Wire Connector (Crimp-On)
100	873650**	Base and Column Assy., Incl.: Ref. 101,102
101	873311	Roll Pin
102	698827	Column
103	800190	Nut
104	698842	Rod-Upstop
105	698835	Locknut
106	892552	Lock Lever
107	872242	Screw
108	699675	Clamp Screw
109	699562**	Tension Spring, T1, T2, Early T3
	892531**	Tension Spring, Current T3

Ref. No.	Part No.	Description
110	699563	Set Screw
111	699552	Clamp Plug
112	872729**	Roll Pin, T1, T2, Early T3
113	865090	Seal
114	698814	Bushing
115	873499	Screw
116	698899	Scale, 120V
	884824	Scale, 230V
117	873773	Knob
118	699988	Pointer
119	882054	Knob
121	699991	Depth Stop Rod
122	872520	Screw
129	872035	Spring Guide
130	872659	Screw
131	862641	Nut
132	800191	Screw
133	803060	Washer
134	850552	Spring
135	895591	Spacer
136	860687	Ball
137	693848**	Spring, T1, T2, Early T3
138	698805	Turret
140	872762	Chip shield
141	10695	Sub Base
142	800539	Screw
145	698829	Spring
183	802648	Lockwasher, T2, T3
184	848148	Ground Screw, T2, T3
185	877286	Lead, Switch Ground, T2, T3
186	861434	Cord Clamp, T3
187	875590	Strain Relief, T3
188	884829	Filter, 230V
189	42596	Wrench

* Not Shown

** See Service Notes

COLLET/NUT/SNAP-RING ASSEMBLY

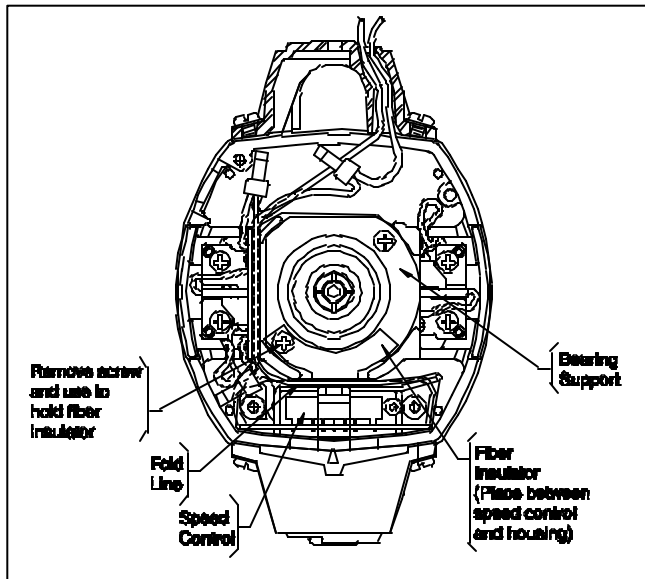
Early units were equipped with a collet and a separate retaining nut. Current units have a collet/nut/snap-ring assembly.

The new assembly can be used to replace early collets.

The new collet nut (875893) can be used with old style collets

SPEED CONTROL

Replacement speed controls include a special insulator. Install this insulator as shown.

Tension Spring - Ref. 109 and Roll Pin - Ref. 112

The Roll Pin (Ref. 112) that provides tension on Tension Spring (Ref. 109) has been eliminated by bending the end of the Tension Spring (Ref. 109) and inserting it into the hole that the Roll Pin (Ref. 112) was pressed into.

Units with the Roll Pin (Ref. 112) use Tension Spring # 699562 and units without Roll Pin (Ref. 112) use Tension Spring # 892531.

Turret Ball Detent Spring - Ref. 137 and Base/Column Assy. - Ref. 100

Early units used Turret Ball Detent Spring (Ref. 137) to provide pressure on Turret Ball (Ref. 136). This spring has been eliminated in current units by adding material to the Base/Column Assy. (Ref. 100) in the hole that the ball goes into.

The Service Base/Column Assy. (Ref. 100) # 873650 has been modified to eliminate this spring and the Base/Column Assemblies (Ref. 100) that do not require the use of this spring have an Instruction Sheet explaining this. Base/Column Assemblies (Ref. 100) without the instruction sheet must have Detent Spring (Ref. 137) # 693848 added.

T1 R. H. HANDLE SET - Ref. 57

The T1 R. H. Handle Set (698846) is no longer available. The T1 units can be serviced by replacing both the T1 R. H. Handle set and T1 Switch with the T3 R. H. Handle Set (885318) and T3 Switch (697452).