

<u>Ref.</u>	<u>No.</u>	<u>Part No.</u>	<u>Description</u>
	3	698873	Brush
	3B	698844	Brush Holder
	4	697452	Switch, T3
		872719	Switch, T1, T2
	5	825713	Cord T2, T3
		875691	Cord T1
	6	698874	Brush Insulator
	7	698872	Brush Spring
	8	693104	Screw
	9	698828	Soft-Start Module/Triac Assy.
	10	852310	Screw
	11	873636	Bearing
	11A	873601	Bearing
	12	698348	Circuit Breaker
	14	698811	Bearing Retainer
	15	849819	Screw
	51	877480	Motor Frame, T2, T3, Incl.: Ref. 114
		698884	Motor Frame, T1, Incl.: Ref. 115
	52	877292	Motor Housing/ Bearing Mount Assy. Incl. Ref. 91
	52A	891036**	Cover, T3
		872037	Cover, T1, T2
	56	698856	Handle Mount (Left or Right)
	57	n 885318**	R.H. Handle Set, T1, T3
		877289	R.H. Handle Set, T2
	57A	698847	L.H. Handle Set
	78	n 879678	Screw
	79	850596	Screw
	80	872766	Spring-Strain Reliever, T1, T2
	81	859069	Pipe Plug
	82	874845	Bushing-Strain Reliever, T3, Incl.:
		874514	Screw
	83	698807	Chuck
	83A	42950**	Collet/Nut/Snap-Ring Assy., Incl.:
		875893**	Collet Nut
		823030**	Snap-Ring
		876671**	Collet
	84	698822	Black Lead - Switch to Circuit Breaker
	85	691784	White Lead - Switch to Connector
	86	698834	Black Lead - Circuit Breaker to Soft Start
	87	695620	Seal
	88	698810	Screw
	89	872535	Washer
	90	872519	Screw
	91	693104	Screw
	94	872521	Screw
	95	872534	Washer
	96	n 874845	Washer
	97	698875	Triac Enclosure
	100	873650	Base and Column Assy., Incl.: Ref. 101,102
	101	873311	Rolled-Pin
	102	698827	Column
	103	800190	Nut
	104	698842	Rod-Upstop
	105	698835	Locknut
	106	699984	Plunge Lock Lever, Metal
		892552	Lock Lever, Plastic
	107	872242	Screw
	108	699675	Clamp Screw
	109	n 699562**	Tension Spring, T1, T2, Early T3
		892531**	Spring, Current T3
	110	699563	Set Screw
	111	699552	Clamp Plug

<u>Ref.</u>	<u>No.</u>	<u>Part No.</u>	<u>Description</u>
	115	873499	Screw
	116	698899	Scale
	117	873773	Knob
	118	699988	Pointer
	119	882054	Knob
	121	699991	Depth Stop Rod
	122	872520	Screw
	129	872035	Spring Guide
	130	872659	Screw
	131	862641	Nut
	132	800191	Screw
	133	803060	Washer
	134	850552	Spring
	135	698816	Spacer, .438" Long
		895591	Spacer, .500" Long
	136	860687	Ball
	137	693848	Spring/Early Units
	138	698805	Turret
	140	872762	Chip shield
	141	10695	Sub Base
	142	800539	Screw
	145	698829	Spring
	183	802648	Lockwasher, T2, T3
	184	848148	Ground Screw, T2, T3
	185	877286	Lead, Switch Ground, Switch Ground, T2, T3
	186	861434	Cord Clamp, T3
	187	875590	Strain Relief, T3
	*	689032	Wire Connector (Crimp-On)

ACCESSORIES: (Optional)

*	42596	Wrench
*	44360	Carrying Case
*		Not Shown
**		See Service Notes

COLLET/NUT/SNAP-RING ASSEMBLY

Early units were equipped with a collet and a separate retaining nut. Current units have a collet/nut/snap-ring assembly.

The new assembly can be used to replace early collets.

The new collet nut (875893) can be used with old style collets.

Tension Spring - Ref. 109 and Roll Pin - Ref. 112

The Roll Pin (Ref. 112) that provides tension on Tension Spring (Ref. 109) has been eliminated by bending the end of the Tension Spring (Ref. 109) and inserting it into the hole that the Roll Pin (Ref. 112) was pressed into.

Units with the Roll Pin (Ref. 112) use Tension Spring # 699562 and units without Roll Pin (Ref. 112) use Tension Spring # 892531.

Turret Ball Detent Spring - Ref. 137 and Base/Column Assy. - Ref. 100

Early units used Turret Ball Detent Spring (Ref. 137) to provide pressure on Turret Ball (Ref. 136). This spring has been eliminated in current units by adding material to the Base/Column Assy. (Ref. 100) in the hole that the ball goes into.

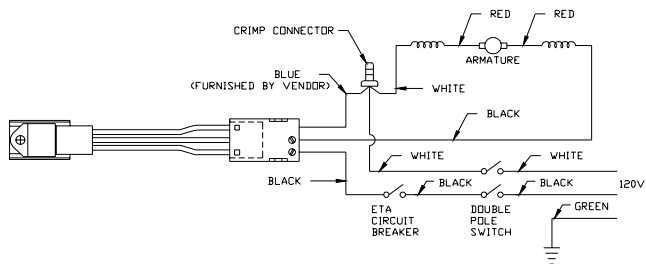
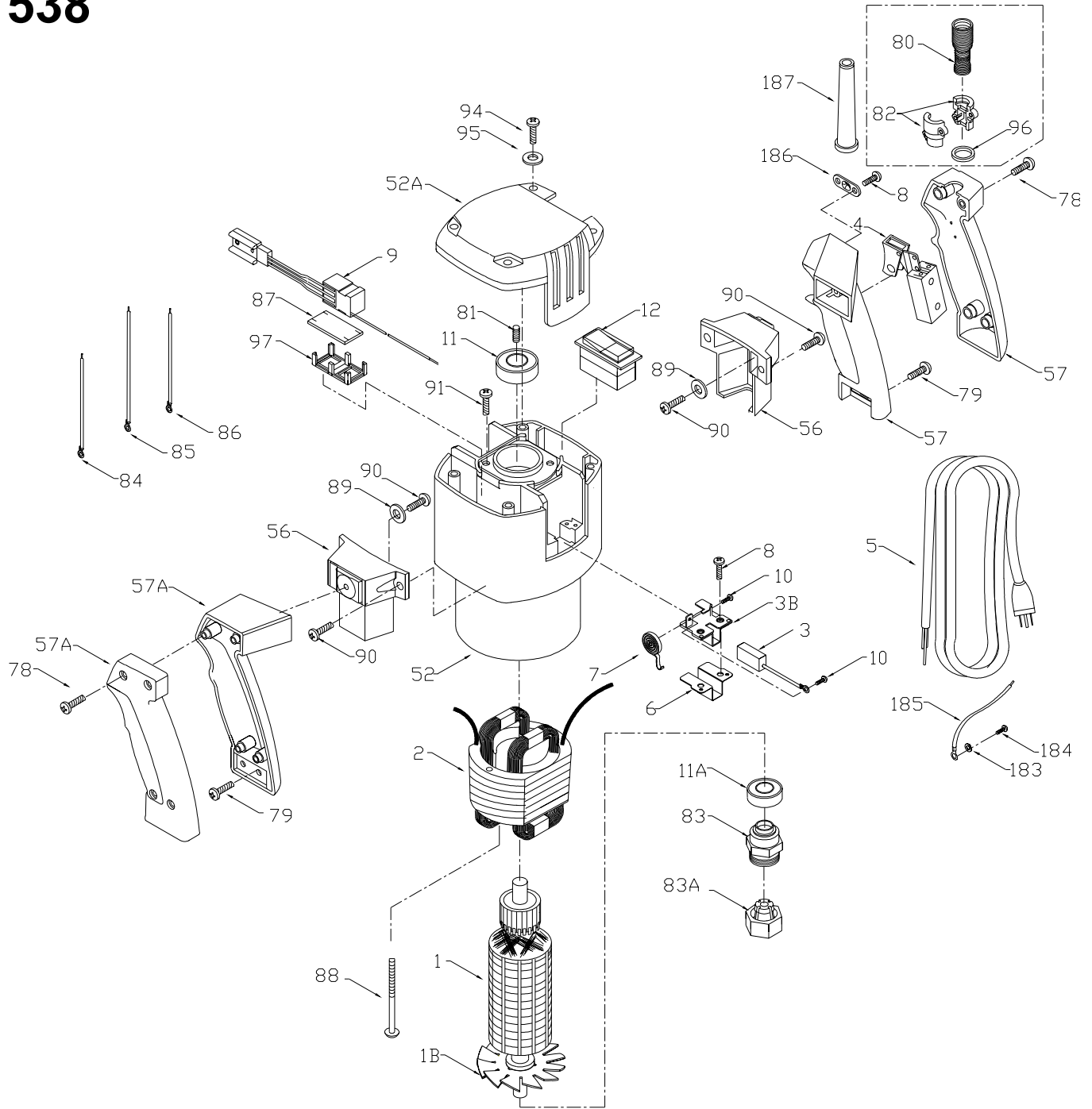
The Service Base/Column Assy. (Ref. 100) # 873650 has been modified to eliminate this spring and the Base/Column Assemblies (Ref. 100) that do not require the use of this spring have an Instruction Sheet explaining this. Base/Column Assemblies (Ref. 100) without the instruction sheet must have Detent Spring (Ref. 137) # 693848 added.

T1 R. H. HANDLE SET - Ref. 57

The T1 R. H. Handle Set (698846) is no longer available. The T1 units can be serviced by replacing both the T1 R. H. Handle set and T1 Switch with the T3 R. H. Handle Set (885318) and T3 Switch (697452).

7538

WARNING: Electrical repairs should only be attempted by

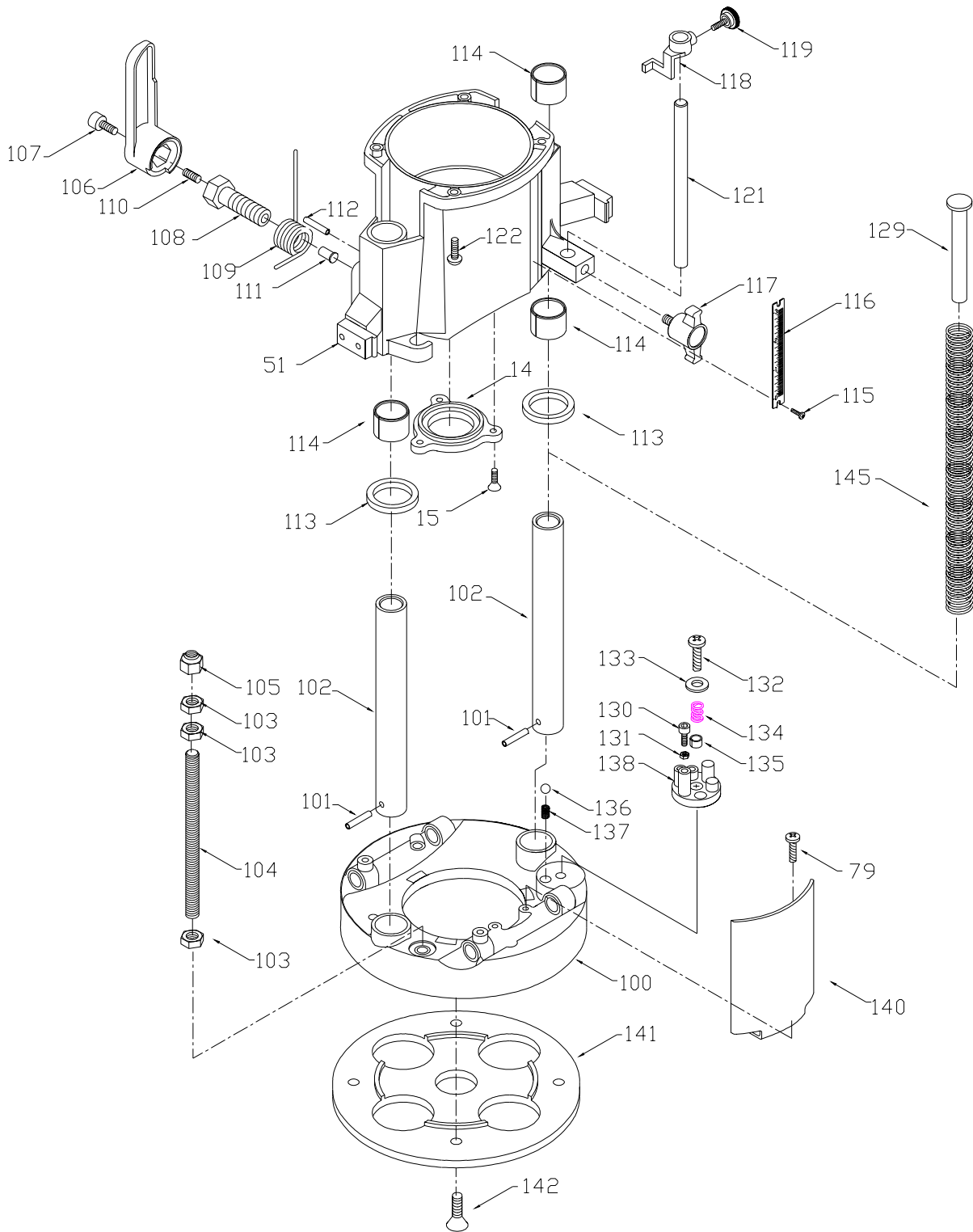


120V WIRING DIAGRAM

PORTER-CABLE

PLUNGE ROUTER

7538



PORTER-CABLE
PROFESSIONAL POWER TOOLS