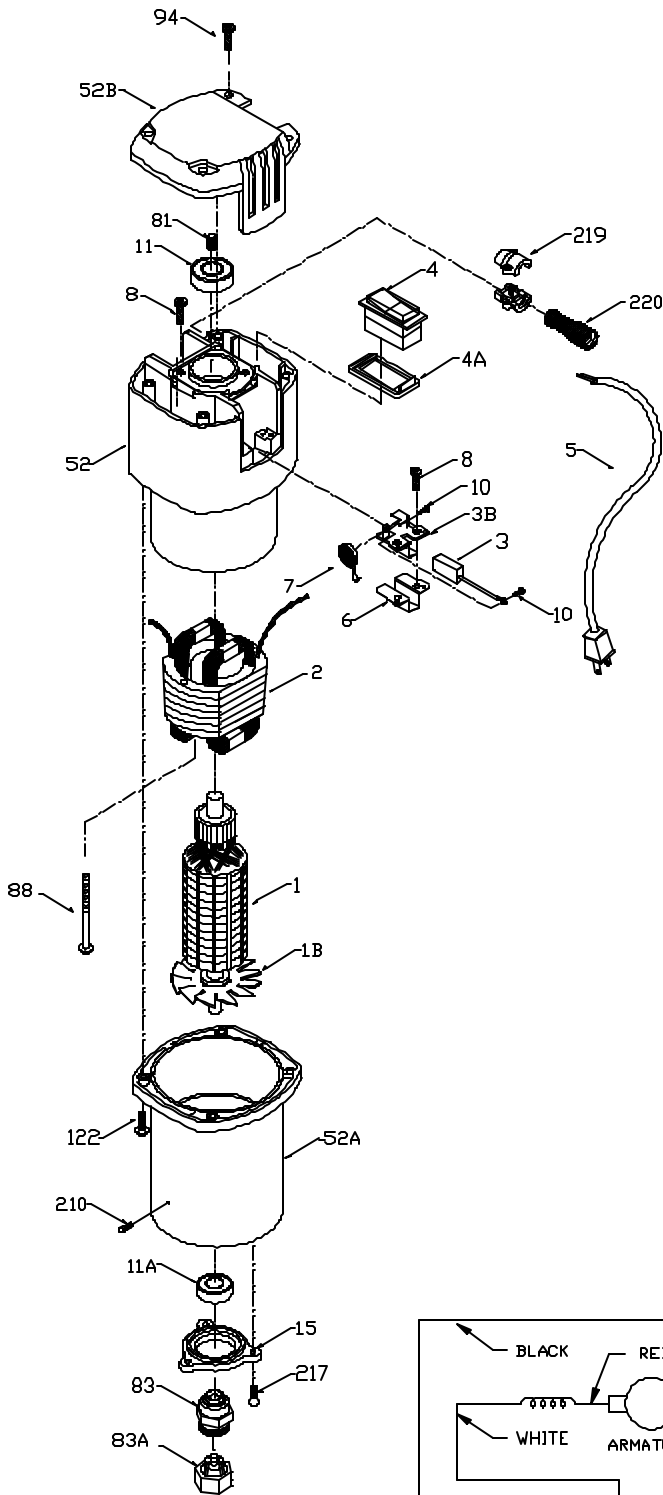


PORTER-CABLE

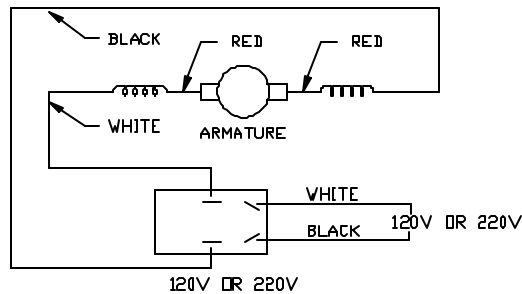
SPEEDMATIC® ROUTER

WARNING: Electrical repairs should only be attempted by trained repairmen. Contact the nearest Porter-Cable Service Center or other competent repair center

75361
75362
75371
75372

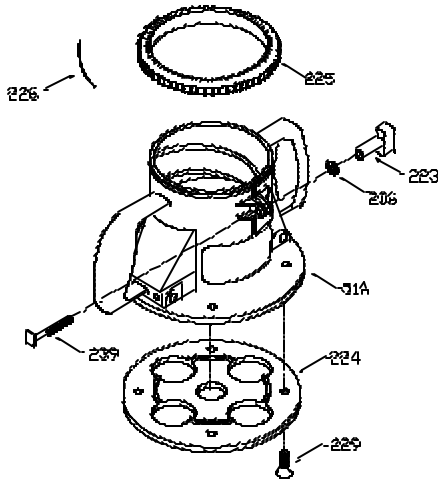


Ref. No.	Part No.	Description
1	874474	Armature (120V), Incl.: Ref. 1B
	881083	Armature (220V), Incl.: Ref. 1B
	875931	Fan,
2	874475	Field, (120V)
	881084	Field, (220V)
3	698873	Brush
3B	698844	Brush Holder
4	873227	Switch
4A	873222	Switch Plate
5	875691	Cord, (10 foot)
	698855	Cord, (20 inch)
	879884	Cord, (Euro, (220V))
6	698874	Insulator
7	698872	Spring
8	693104	Screw
10	852310	Screw
11	873636	Bearing
11A	873601	Bearing
15	698811	Bearing Retainer
52	877297	Top Hsng. Assy., Incl.: Ref. 8
52A	874476	Lower Hsng. Assy., Incl.: Ref. 210
52B	891037	Top Cap
81	859069	Set Screw
83	698807	Chuck
83A	42950	1/2" Collet Assy.
	876671	(Standard on 120V) Incl.:
	875893	Collet, 1/2"
	823030	Nut
	44012	Snap-Ring
		12mm Collet Assy.
		(Standard on 220V)
88	698813	Screw
94	872521	Screw
122	872520	Screw
210	800980	Drive-Screw
217	849819	Screw
219	874845	Bushing, Strain Reliever, Incl.:
	874514	Screw
220	872766	Spring, Strain Reliever
*	42596	Collet/Chuck Wrench
*	689032	Wire Connector
*		Not Shown



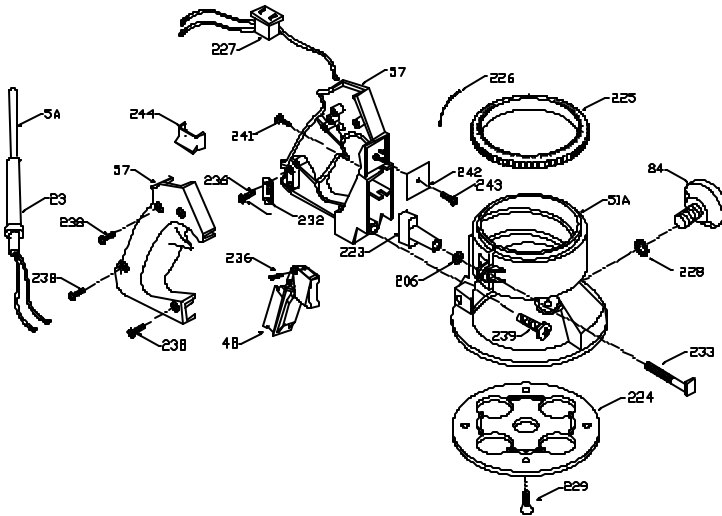
WIRING DIAGRAM

75361



Ref. No.	Part No.	Description
51A	872821	Base
206	823374	Washer
223	874582	Clamp Knob
224	10695	Sub-Base
225	698867	Depth Adjusting Ring
226	800941	Spring
229	800539	Screw
239	842580	Clamp Screw

75371



Ref. No.	Part No.	Description
4B	872719	Switch
5A	694010	Switch Lead Screw
23	875692	Cord
51A	810716	Strain Reliever
57	698869	Base
84	874606	Handle Set
84	875050	Knob
206	823374	Washer
223	874582	Clamp Knob
224	10695	Sub-Base
225	698867	Depth Adjusting Ring
226	800941	Spring
227	698826	Receptacle
228	802425	Washer
229	800539	Screw
232	861434	Cord Clamp
233	842580	Clamp Screw
236	693104	Screw
238	859384	Screw
239	694126	Screw
241	846515	Screw
242	694681	Cover Plate
243	694686	Screw
244	698883	Insert, (2 req'd.)
	44360	Carrying Case