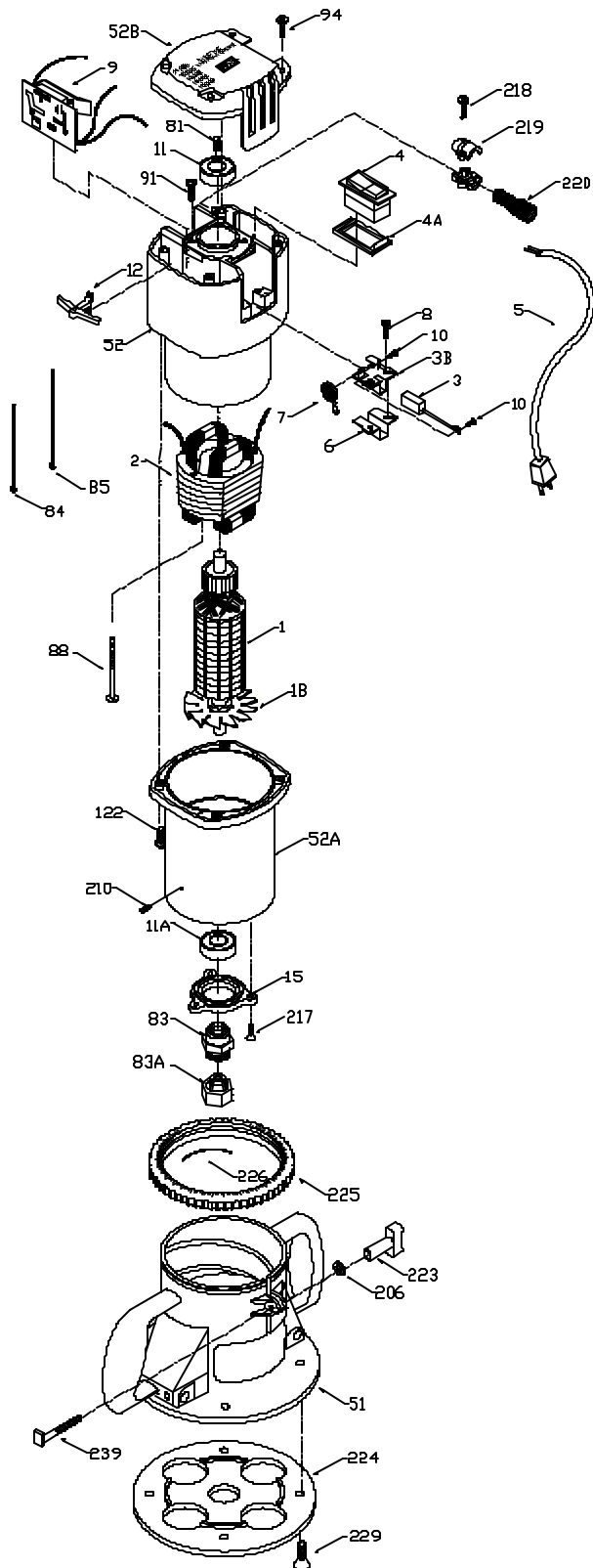


PORTER-CABLE

SPEEDMATIC ROUTER

75182 (75361)

WARNING: Electrical repairs should only be attempted by trained repairmen. Contact the nearest Porter-Cable Service Center or other competent **†** Ref.



No.	Part No.	Description
1	873638	Armature, Incl: Ref. 1B
1B	875931	Fan
2	873637	Field
3	698873	Brush
3B	698844	Brush Holder
4	873227	Switch
4A	873222	Switch Plate
5	875691	Cord
6	698874	Insulator
7	698872	Spring
8	693104	Screw
9	875087**	Speed Control, Incl:
	877288**	Insulator
10	852310	Screw
11	873636	Bearing
11A	873601	Bearing
12	874160	Control Lever
15	698811	Bearing Retainer
51	872821	Base
52	877295	Top Housing Assy., Incl: Ref. 91
52A	874476	Lower Housing Assy., Incl: Ref. 210
52B	891068**	Top Cap
81	859069	Set Screw
83	698807	Chuck
83A	42950**	1½" Collet Assy., Incl:
	876671	Collet, 1½"
	875893	Nut
	823030	Snap-Ring
84	874473	Lead, White
85	874535	Lead, Red
88	698810	Screw
91	n 882703	Screw
94	872521	Screw
122	872520	Screw
206	823374	Washer
210	800980	Drive-Screw
217	849819	Screw
218	n 874514	Screw
219	874845	Bushing Kit-Strain Reliever, Incl: Ref. 218
220	872766	Spring Strain Reliever
223	874582	Clamp Knob
224	10695	Sub-Base
225	698867	Depth-Adjusting Ring
226	800941	Spring
229	800539	Screw
239	842580	Clamp Screw
*	689032	Wire Connector
*	42596	Wrench

ACCESSORIES: (OPTIONAL)

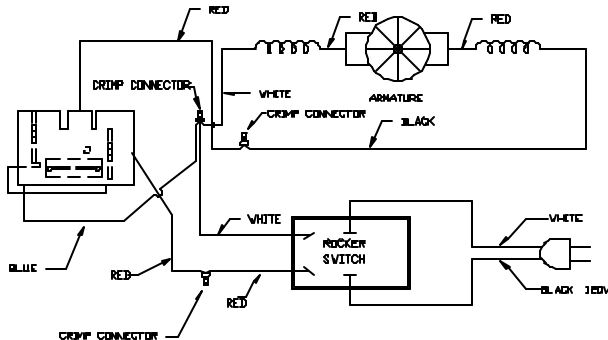
*	42999**	1/4" Collet Assy., Incl:
*	876669	Collet, 1¼"
*	875893	Nut
*	823030	Snap-Ring
*	42975**	3/8" Collet Assy., Incl:
*	876670	Collet, 3/8"
*	875893	Nut
*	823030	Snap-Ring
*	42225	Edge Guide
*	44360	Carrying Case

* Not Shown
** See Service Notes

75182 (75361)

SERVICE NOTES

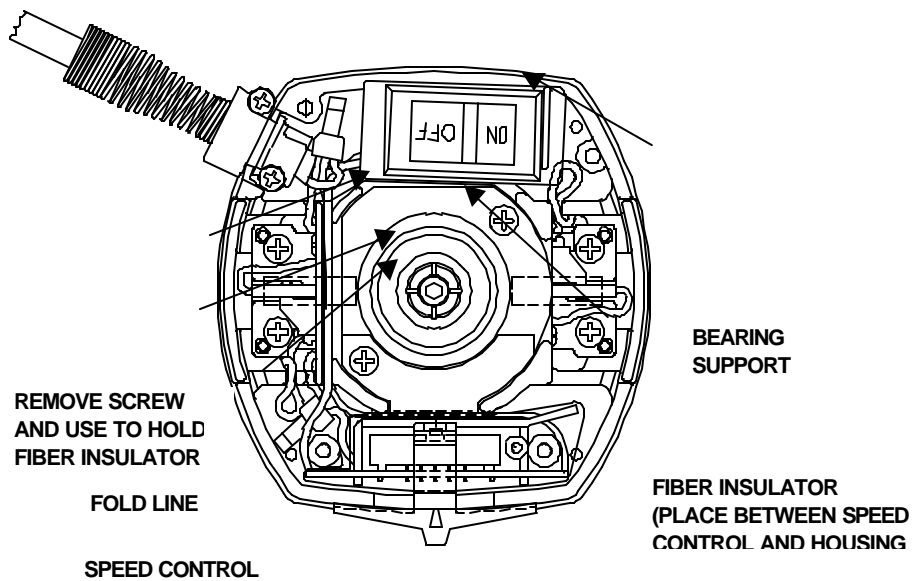
WIRING DIAGRAM



COLLET/NUT/SNAP-RING

Early units were equipped with a separate collet and a retaining nut. Current units have a collet /nut /snap-ring assembly. The current collet assembly can be used on early units. The current nut can be used with early collets. The current collet cannot be used with an early retaining nut.

SPEED CONTROL



Replacement speed controls include a special insulator. Install this insulator as shown.