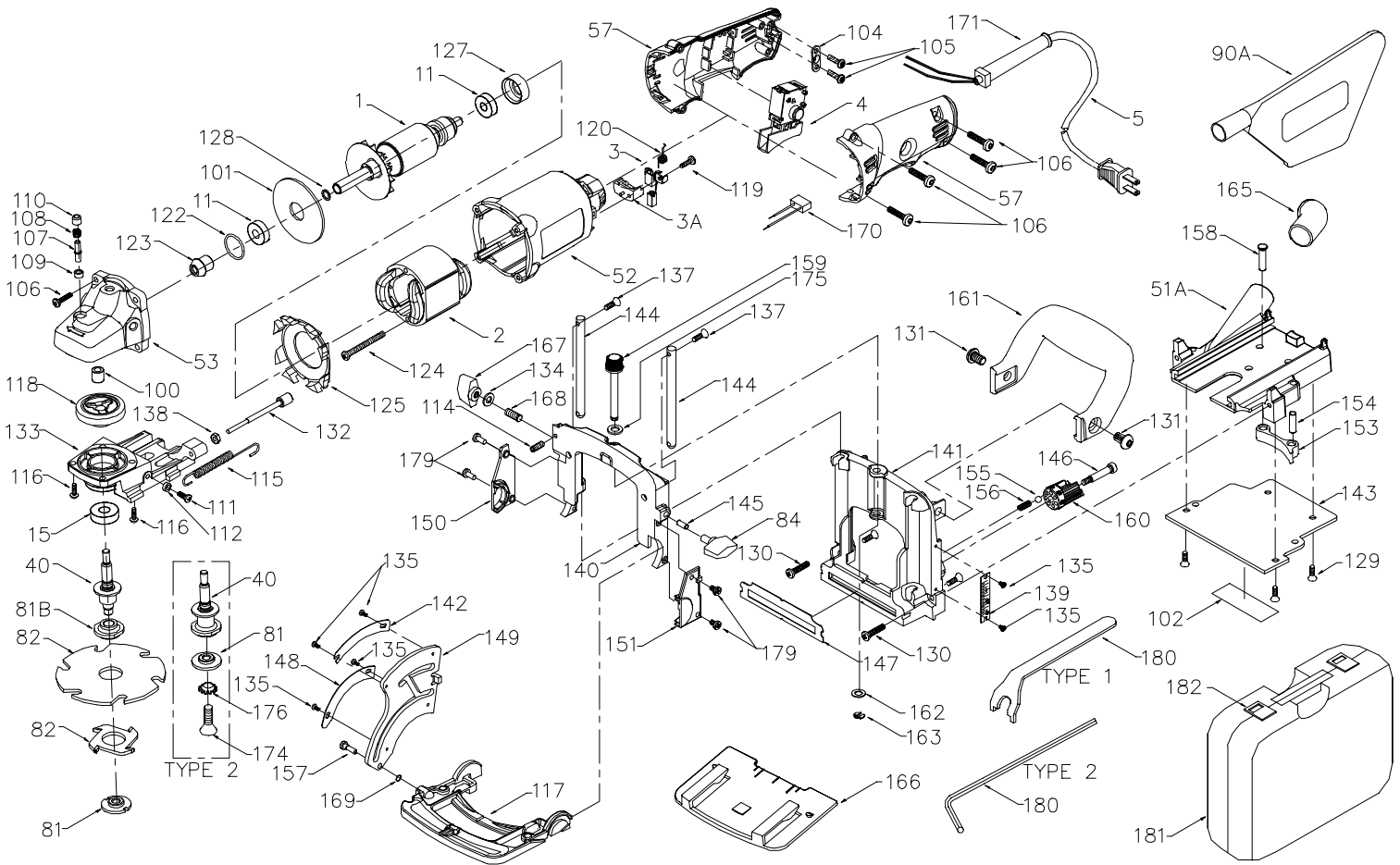


PORTER-CABLE

PLATE JOINER

WARNING: Electrical repairs should only be attempted by trained repairmen. Contact the nearest Porter-Cable Service Center or other competent repair center.

557



Ref.

| <u>No.</u> | <u>Part No.</u> | <u>Description</u> |
|------------|-----------------|---|
| 1 | 891695 | Armature, Incl.: Ref. 125, 120V |
| | 891717 | Armature, Incl.: Ref. 125, 230V |
| 2 | 889515 | Field, 120V |
| | 891093 | Field, 230V |
| 3 | 884257 | Brush Assembly, 120V |
| | 886297 | Brush Assembly, 230V |
| 3A | 690740 | Brush Hldr Base |
| 4 | 883141 | Switch |
| 5 | 872258 | Cord, 120V |
| | 890077 | Cord, 230V |
| 11 | 855216 | Bearing |
| 15 | 883096 | Bearing |
| 40 | 893108 | Gear Shaft , T2, T3 |
| | 882744 | Gear Shaft , T1 |
| 51A | 890751 | Blade Hsg, After S/N 015501 |
| | 896796 | Blade/Gear Hsg, Before S/N 015501 Incl.: Ref. 132, 133, 138,153,154, & 158 |
| 52 | 883144 | Motor Hsg |
| 53 | 892947 | Gear Housing , T2, T3 Incl: Ref. 107, 108, 109 |
| | 889295 | Gear Housing , T1 |
| 57 | 882749 | Handle Set |
| 81 | 893110 | Blade Retainer , T2, T3 |
| | 882798 | Blade Retainer , T1 |
| 81B | 885173 | Blade Flange , T1 |
| 82 | 5558 | 4" Blade |
| | 5559 | 2" Blade |
| 84 | 699992 | Knob |
| 90A | 883175 | Dust Bag |
| 100 | 841767 | Bearing |
| 101 | 886154 | Bearing Retainer |
| 102 | 906831 | Warning Label, T3 |
| | 894016 | Warning Label, 120V, T2 |
| | 894014 | Warning Label, 230V, T2 |
| | 890718 | Warning Label, 230V, T1 |
| | 890717 | Warning Label, After S/N 015501, T1 |
| | 889857 | Warning Label, Before S/N 015501, T1 |
| 104 | 861434 | Cord Clamp |
| 105 | 882185 | Screw |
| 106 | 882189 | Screw |
| 107 | 892913 | Spindle Lock Shaft , T2, T3 |
| | 887021 | Spindle Lock Pin , T1 |
| 108 | 884259 | Spring |
| 109 | 892914 | Cup Retainer , T2, T3 |
| | 887022 | Cup Retainer , T1 |
| 110 | 887020 | Spindle Lock Button , T1 |
| 111 | 882187 | Screw, Before S/N 151980 |
| 112 | 888632 | Spacer, Before S/N 151980 |
| 114 | 889633 | Screw |
| 115 | 900576 | Spring, After S/N 151979 |
| | 889794 | Spring, Before S/N 151980 |
| 116 | 878262 | Screw |
| 117 | 903366 | Front Fence, T3 |
| | 883152 | Front Fence, T1 & T2 |
| 118 | 882742 | Gear |
| 119 | 879298 | Screw |
| 120 | 868775 | Spring |
| 122 | 697029 | O-Ring |
| 123 | 882740 | Pinion |
| 124 | 891012 | Screw |
| 125 | 890684 | Baffle |
| 127 | 694432 | Bearing Mount |
| 128 | 847564 | Retaining Ring |
| 129 | 688860 | Screw |
| 130 | 802589 | Screw |
| 131 | 849235 | Screw |
| 132 | n 891131** | Knob, 1/4-20 |
| 133 | 896796 | Gear/Blade Hsg. Incl.: Ref. 51A, 132, 138,153,154, & 158 |
| 134 | 889465 | Washer |
| 135 | 699255 | Screw |
| 137 | 849819 | Screw |
| 138 | 890643 | Nut 1/4-20, After S/N 015501 |
| | 869687 | Nut 8-32, Before S/N 015501 |

Ref.

| <u>No.</u> | <u>Part No.</u> | <u>Description</u> |
|------------|-----------------|----------------------------------|
| 139 | 883084 | Height Scale, 120V |
| | 889932 | Height Scale, 230V |
| 140 | 903368 | Rear Fence, T3 |
| | 883154 | Rear Fence, T1 & T2 |
| 141 | 903359 | Fence Support, T3 |
| | 892154 | Fence Support, T2 |
| | 883156 | Fence Support , T1 |
| | 885191 | Angle Scale, (90-135) |
| 142 | 890716 | Blade Cover, After S/N 015501 |
| 143 | 883162 | Blade Cover, Before S/N 015501 |
| 144 | 883163 | Guide Rod |
| 145 | 883164 | Brass Plug |
| 146 | 883167 | Screw |
| 147 | 883170 | Anti-Skid |
| 148 | 885190 | Angle Scale, (0-90) |
| 149 | 883158 | Angle Segment |
| 150 | 903370 | Left Pivot, T3 |
| | 892143 | Left Pivot, T1 & T2 |
| 151 | 903369 | Right Pivot, T3 |
| | 892144 | Right Pivot, T1 & T2 |
| 153 | 883172 | Safety Lever |
| 154 | 883173 | Guide Pin |
| 155 | 886913 | Ball |
| 156 | 860947 | Spring |
| 157 | 888179 | Pin |
| 158 | 885189 | Rivet |
| 159 | 895727 | Knob, After S/N 90788 |
| | 883165 | Knob, Before S/N 90788 |
| 160 | 883166 | Depth Knob |
| 161 | 883146 | Handle |
| 162 | 895113 | Washer, After S/N 90788. |
| | 886493 | Nylon Washer, Before S/N 90788 |
| 163 | 697500 | Retaining Ring |
| 165 | 886492 | Chip Deflector |
| 166 | 888776 | Alignment Plate |
| 167 | 889702 | Knob |
| 168 | 889701 | Stud |
| 169 | 879716 | O-Ring |
| 170 | 890423 | Capacitor Assembly |
| 171 | 810716 | Strain Relief |
| 174 | 893109 | Screw , T2 |
| 175 | 895112 | Washer |
| 176 | 841851** | Washer |
| 179 | 882187 | Screw |
| 180 | 891869 | Hex Wrench , T2, T3 |
| n | 886041 | Wrench , T1 |
| 181 | 900549 | Carrying Case Incl.: Ref. 182 |
| 182 | 887712 | Latch |
| * | 906048 | Fence, 120V T3 |
| * | 889508** | Fence Assembly, 120V, T1 & T2 |
| * | n 909199 | Fence Assembly, 230V, T3 |
| * | 890078** | Fence Assembly, 230V, T1 & T2 |

ACCESSORIES: (Optional)

| | | |
|----|----------|----------------------|
| * | 5563 | Face Frame Biscuit |
| * | n 875914 | Lubricant, 5 1/2 oz. |
| | 874809 | Lubricant, 4 lbs. |
| * | | Not Shown |
| ** | | See Service Notes |

889508 & 890078 FENCE ASSEMBLIES

889509 & 890078 Fence Assemblies includes, Ref. 84, 111, 114, 117, 131, 134, 135, 137, 139, 140, 141, 142, 144, 145, 146, 147, 148, 149, 150, 151, 155, 156, 157, 159, 160, 161, 162, 163, 167, 168, 169.

BLADE RETAINER WASHER REF. 176 - T2 UNITS

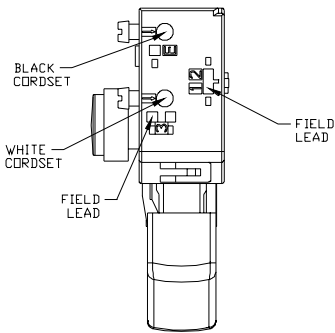
Early T2 units were built without Blade Retainer Washer 841851 Ref. 176. It is used with round Blade Retainers Ref. 81 to prevent the Blade Screw Ref. 174 from seizing if it is over tightened. When servicing units it is recommended that the washer be added to units that don't have one.

Current units have a Blade Retainer with flats that can be used to remove the screw if the blade screw should seize. The spindle lock should be engaged while turning the Blade Flange with a 1" Open End Wrench.

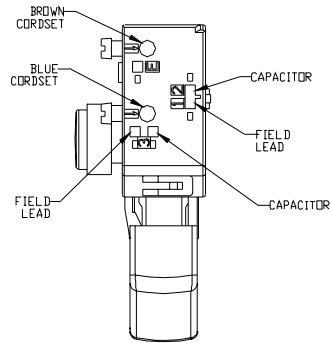
KNOB ASSEMBLY 891130 - REF. 132

When replacing 8-32 Knob Assembly 891130 on early units it is necessary to use Gear/Blade Housing 896796 which includes the current ¼-20 Knob Assembly and matching Gear Housing.

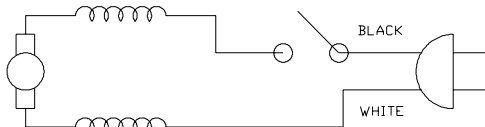
WIRING DIAGRAMS



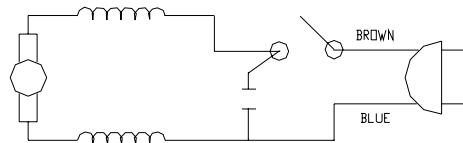
120V SWITCH WIRING



230V SWITCH WIRING



120V WIRING DIAGRAM



230V WIRING DIAGRAM