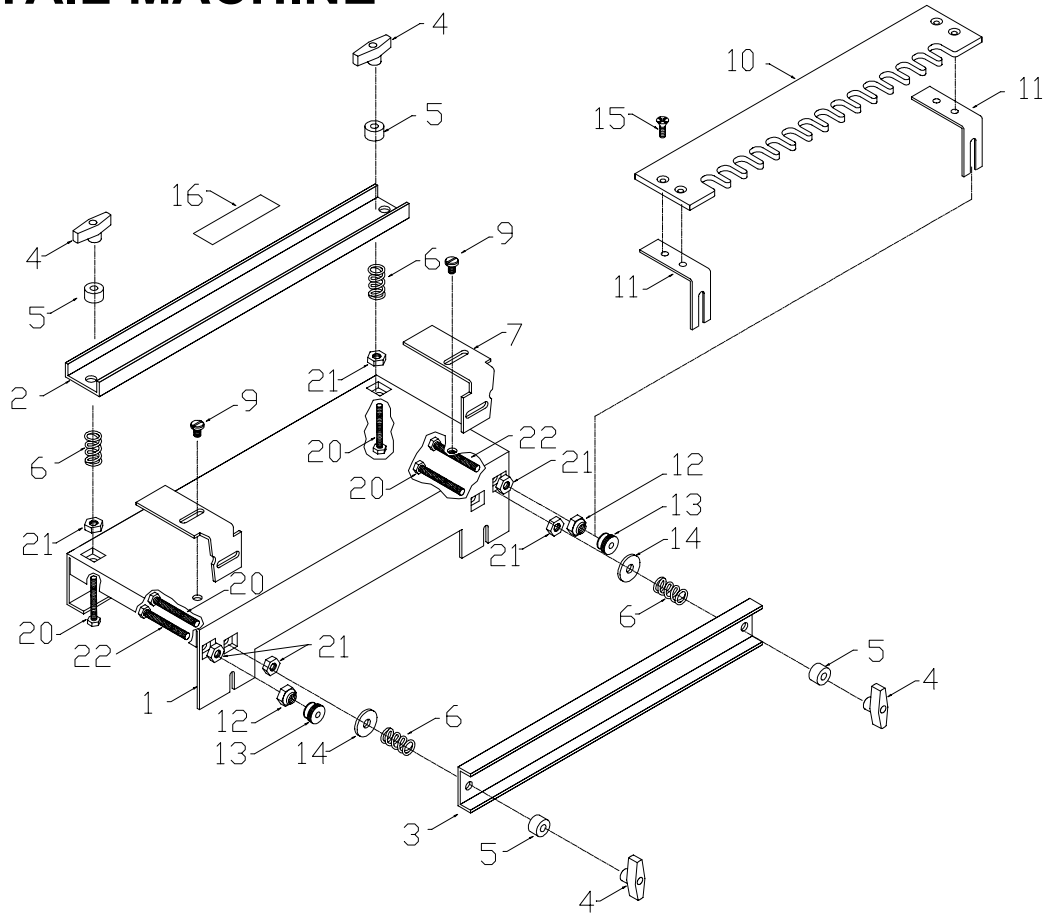


DOVETAIL MACHINE



Ref.

No.	Part No.	Description
1	n 900483	Base, T2
	889385	Base, T1
2	889666	Top Clamp-Bar, Incl.: Ref 16
3	889371	Bottom Clamp-Bar
4	n 900492	Knob-Clamp Female 1/4-20, T2
	889368	Knob, T1
5	889369	Spacer
6	889372	Spring
7	889674	Edge Guide Set #1
	889675	Edge Guide Set #2
9	889387	Screw
10	4113	1/2" Half Blind Templet, Incl.: Ref. 11, 15
11	889376	Bracket
12	889386	Lock Nut
13	889384	Knob
14	801530	Washer
15	889374	Screw
16	n 891118	Warning Label
20	n 900490	Bolt, T2
21	n 900493	Nut, T2
22	n 900489	Bolt, T2

ACCESSORIES: (Optional)

*	889676	Edge Guide Set #3
*	889677	Edge Guide Set #4
*	4114	1/4" Half Blind Templet , Incl.: Edge Guide Sets #3 & #4, Ref. 11, 15
*	4115	1/2" Box Joint Templet , Incl.: Edge Guide Set #3, Ref. 11, 15
*		Not Shown