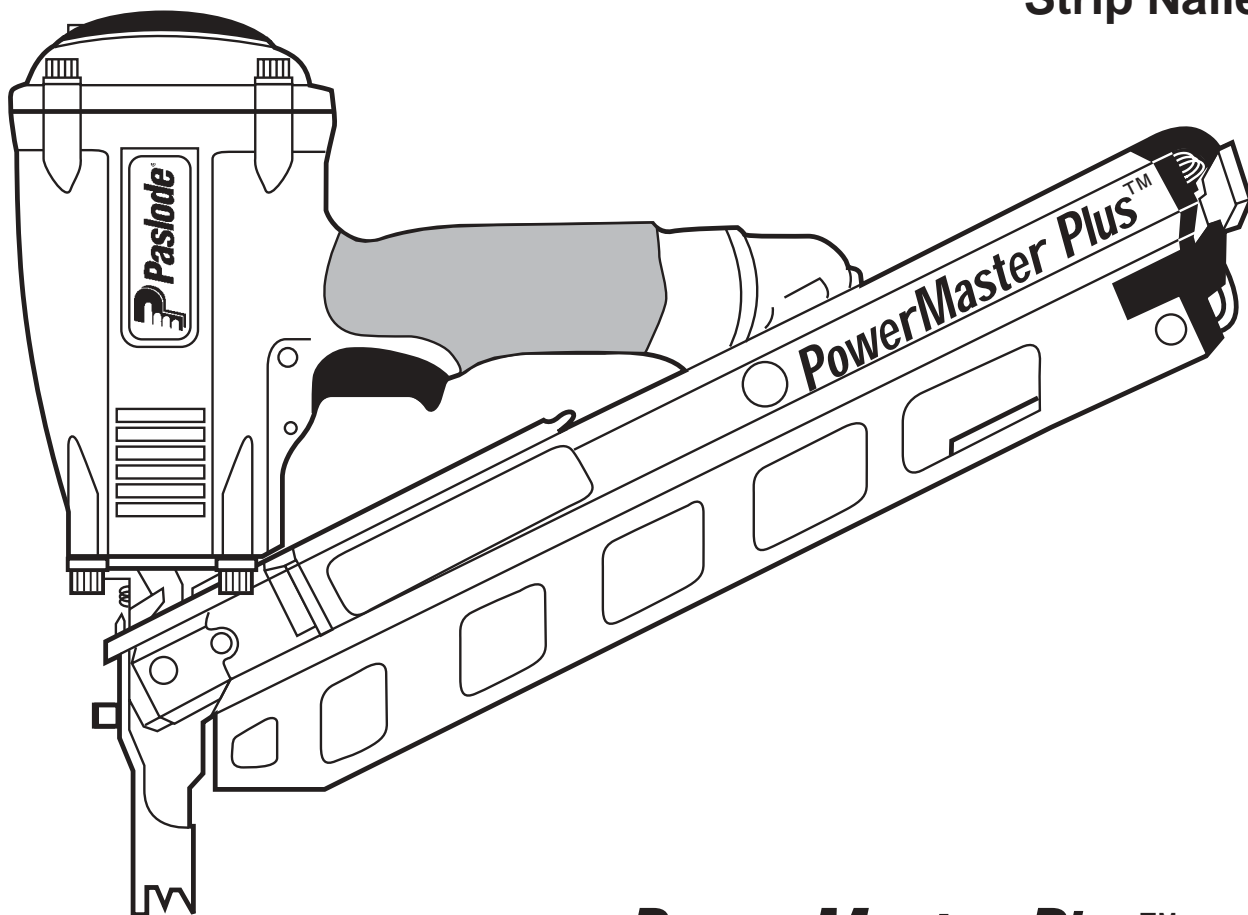




***PowerMaster Plus™***  
MODEL F-350S  
**Strip Nailer**



***PowerMaster Plus™***

**IMPORTANT!  
DO NOT DESTROY**

Always refer to safety and maintenance manual #403606 for detailed information on this tool. It is the customers responsibility to have all operators and service personnel read and understand this information.

**TOOL SCHEMATIC AND  
PARTS**

# PARTS LEGEND *PowerMaster Plus*™ F-350S, 501000

▲ 1	501043	1	T.H.S.C.S. 1/4 -20 x 1/2"	38	501008	1	Lever, Bottom Trip
2	501016	1	Air Deflector	39	402668	1	Retaining Ring
3	092735	4	S.H.C.S. 1/4-20 x 1-1/4"	40	097748	1	Spring, Valve Pin
5	501017	1	Cap	41	097746	1	Valve Pin
*6	500461	1	O-Ring	42	071297	3	Roll Pin 1/8 x 1-1/8"
*7	092042	1	O-Ring	*43	092174	1	O-Ring, Valve Body
8	500407	1	Spring, Main Valve	44	401958	1	Valve Body
*9	501001	1	Gasket, Cap	→ 46	501156	1	Nose 30°
10	406041	1	Retaining Ring	47	095417	4	Lockwasher 5/16
11	500455	1	Upper Valve Piston	▲48	009016	4	S.H.C.S. 5/16-18 x 1"
12	401946	1	Seal, Main Valve	49	501006	1	Spring, W.C.E.
*13	091208	1	O-Ring	50	500734	1	Upper W.C.E.
*14	401950	1	O-Ring	51	404800	1	Washer, W.C.E.
15	500456	1	Lower Valve Piston	52	500731	1	Lower W.C.E.
16	500454	1	Post	53	002187	1	Lock Washer
*17	095432	2	O-Ring	54	500717	1	Nail Cover
18	500453	1	Bumper, Post	55	500531	1	Follower
19	402906	1	B.H.S.C.S.10-32 x 5/8"	56	501044	1	3/16 Hex Key, Long Arm
*20	092971	1	O-Ring, Piston	57	501024	1	End Cap, Magazine-LF
■*21	501019	1	Driver Blade	58	501025	1	End Cap, Magazine-RT
22	402011	1	Seal Sleeve	59	501027	1	Latch
23	501004	1	Sleeve	60	501046	1	Drum Pin Assembly
*24	092235	1	O-Ring, Sleeve	61	500513	1	Negator Assembly
*25	501002	1	O-Ring	62	500800	1	Nameplate, Global
*26	500866	1	Bumper	▲63	404904	2	Screw 1/4-28 x 5/8"
27	501020	1	Housing	64	500509	1	Front Bracket
28	501023	1	Grip, Handle	65	501028	1	Spring, Latch
→ 29	501333	1	Label, Housing-Left	66	501026	1	S.H.C.S. 8-32 x 2"
	501334	1	Label, Housing -Right	67	066840	1	S.H.C.S. 8-32 x 3/4"
30	501013	1	End Cap, Housing	68	404414	2	Flatwasher #8
31	500516	1	B.H.S.C.S. - Special	69	404325	2	Stop Nut
32	404274	1	Flatwasher	→ 70	500945	2	Wear Strip
33	500525	1	Locknut, 5/16-24	** 71	500458	1	Warning Label
34	091622	1	Reducing Pipe Bushing	72	501055	2	Logo Label
35	501010	1	Trigger	73	500199	1	Spring, Trigger
36	402669	1	Pin, Trigger	74	500729	1	Blade Seal
37	501009	1	Spirol Pin	75	501003	1	Piston
				76	091618	1	S.H.C.S. 1/4-20 x 1/2"

\* Denotes Normal Wear Items

\*\* Make sure Warning Label (Part No. 500458) is properly affixed. Replace if necessary. Label available at no charge through the Service Department.

▲ Apply Loctite 242 (Blue) Part No. 093500

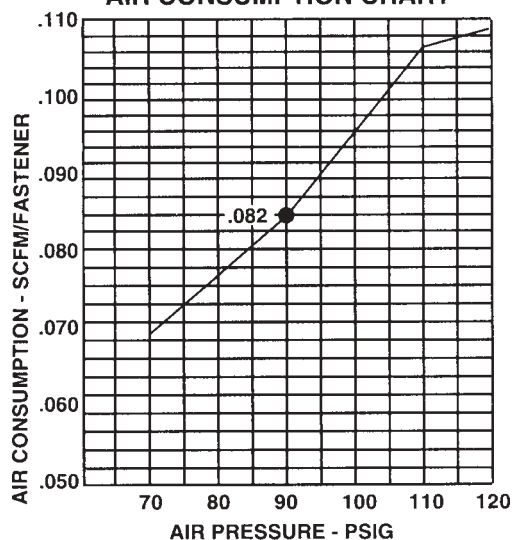
■ Apply Loctite Green Part No. 401491

→ Denotes New Change

## WARNING

All parts must be periodically inspected and replaced if worn or broken. Failure to do this can affect the tool's operation and present a safety hazard.

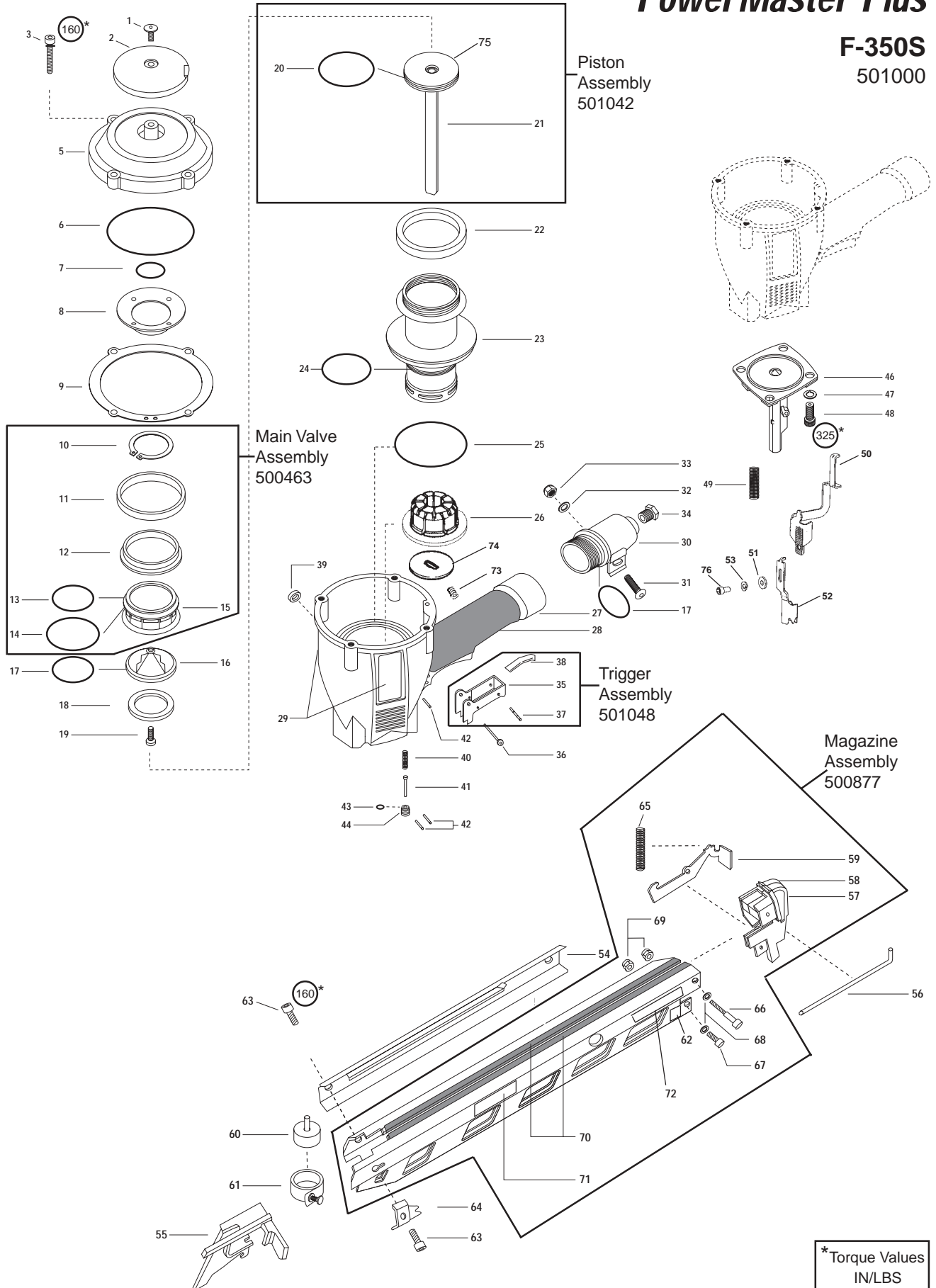
**AIR CONSUMPTION CHART**



**Note: For optimum performance Paslode recommends the use of a 3/8" Male fitting.**

# PowerMaster Plus™

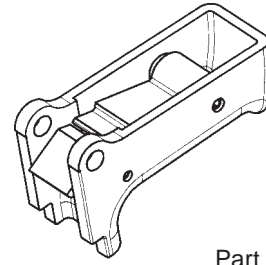
**F-350S**  
501000



# ACCESSORIES

## Sequential Operating Kit

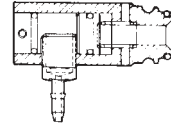
This special attachment is designed for sequential operation (stops "contact" firing). The operator must depress and hold the work contacting element against the work surface before pulling the trigger. This sequence must be repeated each time the tool drives a fastener.



Part No.501039

## Remote Fire Valve

This valve via a positive air signal allows a machine mounted tool to be operated from an automatic air valve or foot pedal system.



Part No. 1X0713

## Adjustable No-Mar Tip Kit

Prevents you from marring wood surfaces. Kit includes an extra rubber tip. (Replacement Rubber Tip only - Part No. 501022)

Part No. 219228

## Hanger Kit

Allows you to hang tool from rafters.

Part No. 501049

## Cap Hanger Bracket

Attaches to the top of tool for storage or counter-balancing.

Part No. 1X0856

## Tool Repair Kit

Repairs cap air leaks, lack of power, skipping and/or sluggishness.

Part No. 219235

## Trigger Valve Kit

Repairs trigger valve air leaks.

Part No. 219224

## Lubricants and Loctite

Loctite 242 (Blue)  
Lubricating Oil 16 oz.  
Lubricating Oil with Antifreeze  
Chemplex 710 Lubricant 1 lb.  
Lubricant 5 gram tube



Part No. 093500  
Part No. 403720  
Part No. 219090  
Part No. 403734  
Part No. 219188

## Degreaser Cleaner

Ideal cleaner for all Paslode tools.

Part No. 219086

## Large Nylon Tool Case

Part No. 219246

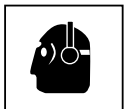
## Safety Glasses

Clear  
Tinted

Part No. 402510  
Part No. 402512

# SAFETY INSTRUCTIONS

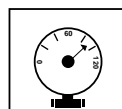
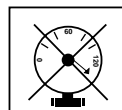
## WEAR EYE AND HEARING PROTECTION



Always wear hearing protection and eye protection devices, including side shields when operating or working in the vicinity of a tool.

Never use any bottled air or gases such as oxygen to operate the tool since they could cause the tool to explode.

## DO NOT EXCEED MAXIMUM RECOMMENDED AIR PRESSURE



Operate the tool using only the recommended air pressure. Do not exceed the maximum air pressure marked on the tool. Be sure the air pressure gauge is operating properly and check it at least twice a day.