



SERVICE PARTS LIST

BUL. 54-32-1000

7" POLISHER

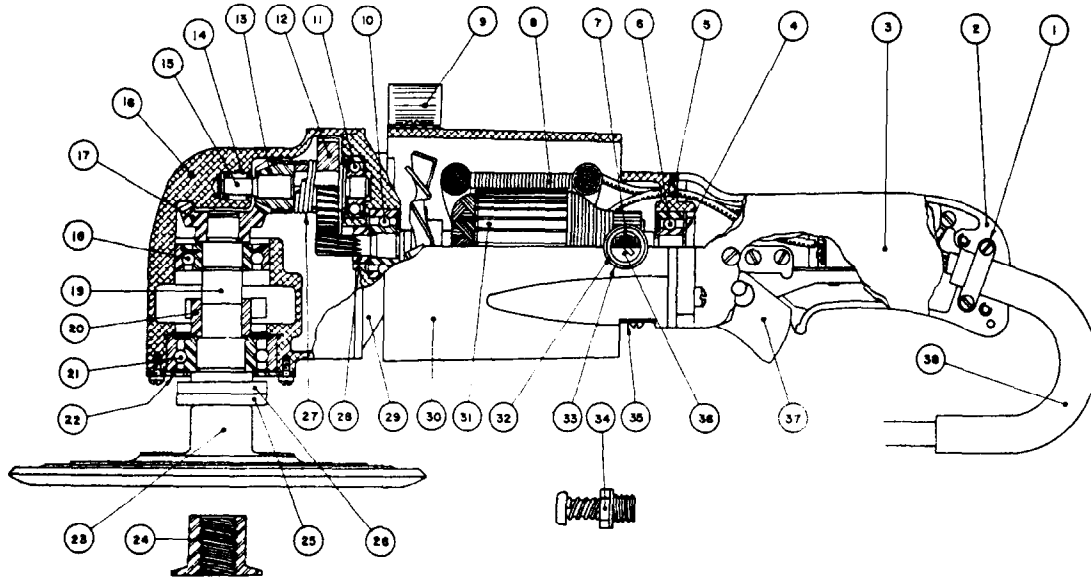
REVISED BUL 6100-1 DATE Feb. '68

MODEL NO. P-175

Starting Serial No. 100-1001

WIRING INSTR.

Both Model and Serial No. must be furnished to obtain correct parts.



MODEL P-175 POLISHER
Starting With Serial No. 100-1

6100-1

Item	Part No.	Name of Part	Item	Part No.	Name of Part
1	7UPV1-5	Cord Clamp Strap	20	3UP3-3	Spindle Locking Cog
2	7UPV1-1	Handle (Switch Mounting Side)	21	WC37504	Spindle Ball Bearing (lower)
3	7UPV1-2	Handle (Switch Cover Side)	22	3UP3-3	Ball Bearing Retaining Washer
4	6UPV1-9	Body End Play Disc	23	75P-130	Rubber Backing Pad
5	75P1-3	Handle Insulator	24	75P13-2	Disc Nut (5/8-11 thread)
6	WC3009	Armature Ball Bearing (Comm. End)	25	3UP3-2A	Hub Rubber Washer
7	33M-370	Carbon Brush Assemblies (per set)	26	3UP3-1A	Hub Steel Washer
8	33M-700	Field Assembly	27	75P13-2	Drive Spring
9	75P1-1	Tool Rest	28	75P8-7	Grease Slinger
10	WC3500	Armature Ball Bearing (Pinion End)	29	75P-2	Diaphragm
11	N.D.7039	Intermediate Shaft Ball Bearing	30	75P-1	Motor Housing
12	75P-14	Intermediate Gear	31	75P-500	Armature Assembly
13	75P13-1	Pinion Gear (Sold only with 75P-11 as a set) per set	32	33M-329	Brush Holder Assemblies (per set 2)
14	B-47	Intr. Shaft Needle Bearing	33	33M-33	Brush Holder Bushing
15	75P-13	Intermediate Shaft	34	3UP-700	Spindle Lock Assembly
16	75P-3	Gear Case	35	75P1-2	Commutator Cover Plate
17	75P-11	Bevel Gear (see item 13)	36	3M-40	Brush Retaining Screw Assembly (2)
18	N.D.3203	Spindle Ball Bearing (upper)	37	890X240	Switch Assembly
19	75P-8	Spindle	38	335-23	Cord Protector Tube

MISCELLANEOUS PARTS (NOT SHOWN)

Size or Part No.	Description of Part	Size or Part No.	Description of Part
P-175	Name Plate	#8-32x1/4" Rd. Hd.	Switch Mounting Screws (2)
#16	Cord (3-wire) per foot	#6-32x1/4" (Brass)	Rd. Hd. Ground Wire Screw (1)
75P-41	Wooden Side Handle Assembly	#3-32x1" Oval Hd.	Handle Cover Screw (1)
2 Prong	Attachment Plug (1)	#0-32x7/16" Fil. Hd.	Cord Clamp Strap Screws (2)
10-24x1/4" Rd. Hd.	Tool Rest Screw (2)	#3-32x2-1/3" Fil. Hd.	Field Screws (2)
#12-24x1" Fil. Hd.	Switch Handle Screws (4)	#6-32x1/4" Rd. Hd.	Commutator Cover Screws (2)
10-24x1-3/4" Fil. Hd.	Gear Case Screws (4)	#5-32x3/8" Fil. Hd.	Ball Bearing Retaining Washer (2)
#0-32x7/8" Oval Hd.	Handle Cover Screws (2)		Screws (6)
1/4-20x3/8" Unbrako	Knurled Point Socket Hd., Hd'less Brush Holder Set Screws (2)	#4-36x1/4" Rd. Hd.	Name Plate Screw (2)