



SERVICE PARTS LIST

**BULLETIN NO.
54-06-1350**

SPECIFY CATALOG NO. AND SERIAL NO. WHEN ORDERING PARTS		REVISED BULLETIN	DATE Feb.'89
CORDLESS 3/8" HOLE-SHOOTER			
CATALOG NO. 0381-1	DATE CODE 890207	WIRING INSTRUCTION 58-01-1030	

EXAMPLE:

00 0 Component Parts (Small #) Are Included
When Ordering The Assembly (Large #).

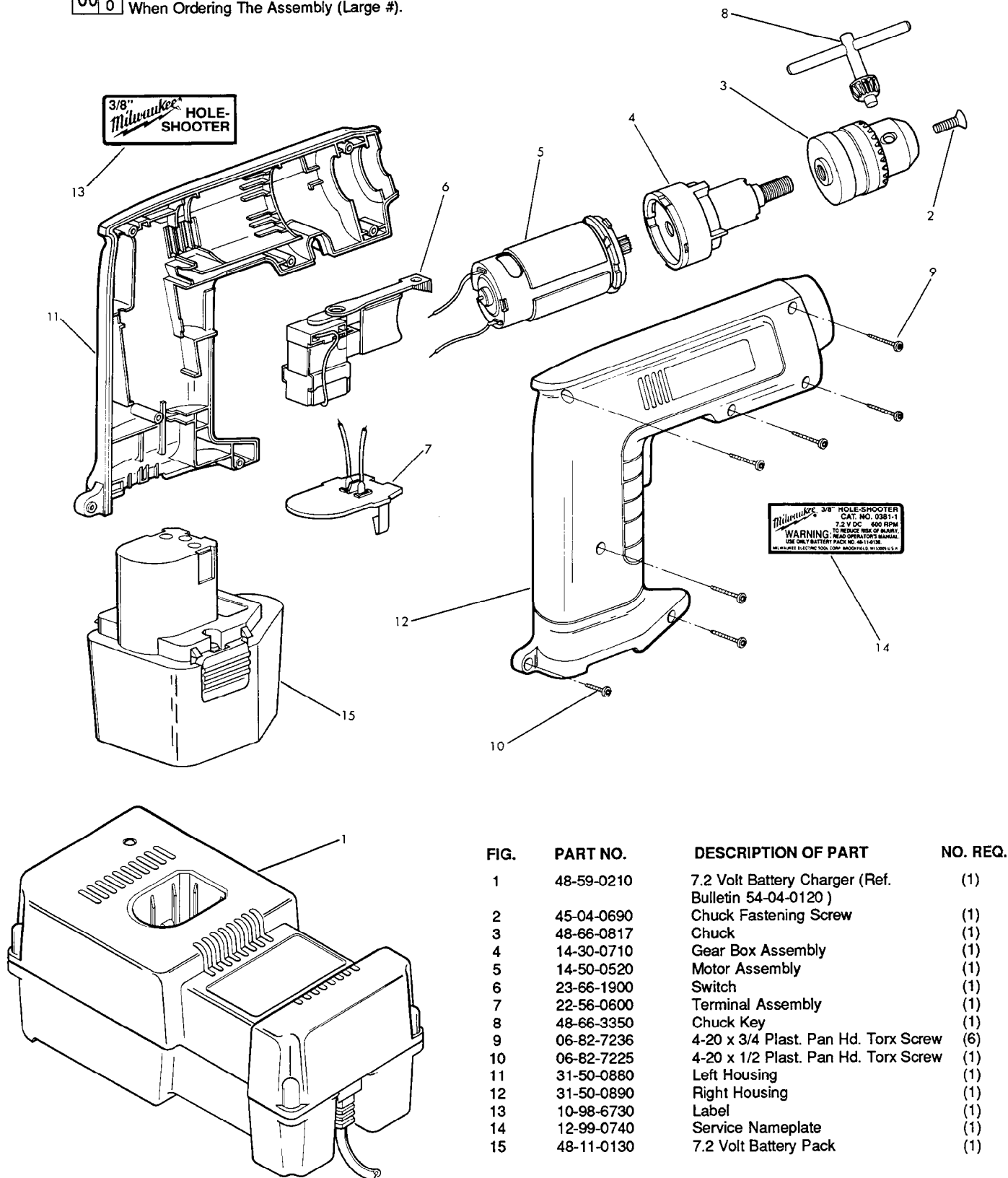


FIG.	PART NO.	DESCRIPTION OF PART	NO. REQ.
1	48-59-0210	7.2 Volt Battery Charger (Ref. Bulletin 54-04-0120)	(1)
2	45-04-0690	Chuck Fastening Screw	(1)
3	48-66-0817	Chuck	(1)
4	14-30-0710	Gear Box Assembly	(1)
5	14-50-0520	Motor Assembly	(1)
6	23-66-1900	Switch	(1)
7	22-56-0600	Terminal Assembly	(1)
8	48-66-3350	Chuck Key	(1)
9	06-82-7236	4-20 x 3/4 Plast. Pan Hd. Torx Screw	(6)
10	06-82-7225	4-20 x 1/2 Plast. Pan Hd. Torx Screw	(1)
11	31-50-0880	Left Housing	(1)
12	31-50-0890	Right Housing	(1)
13	10-98-6730	Label	(1)
14	12-99-0740	Service Nameplate	(1)
15	48-11-0130	7.2 Volt Battery Pack	(1)

MILWAUKEE ELECTRIC TOOL CORPORATION
13135 W. LISBON RD., BROOKFIELD, WI 53005