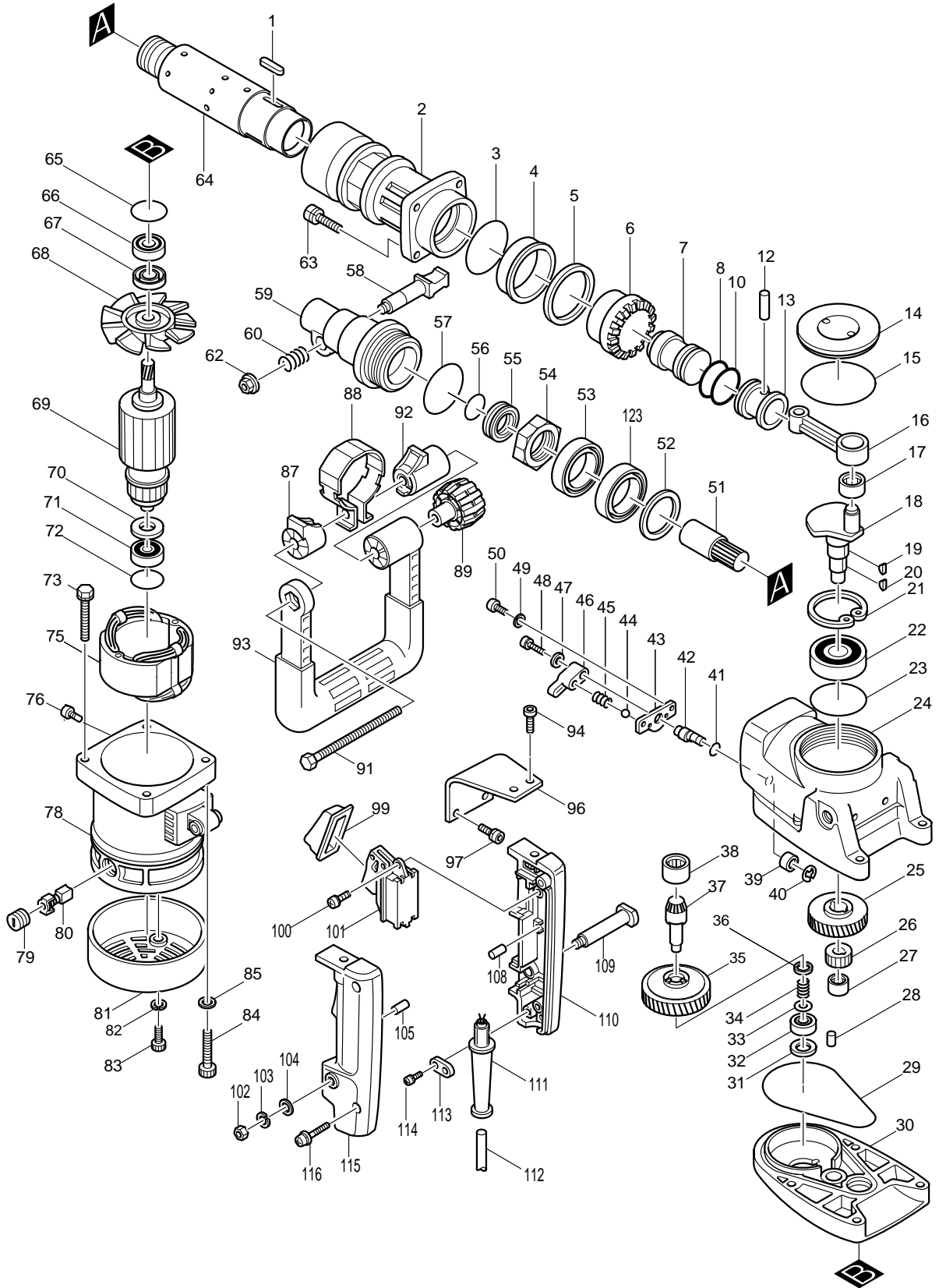




2" (50MM) ROTARY HAMMER MODEL HR5000



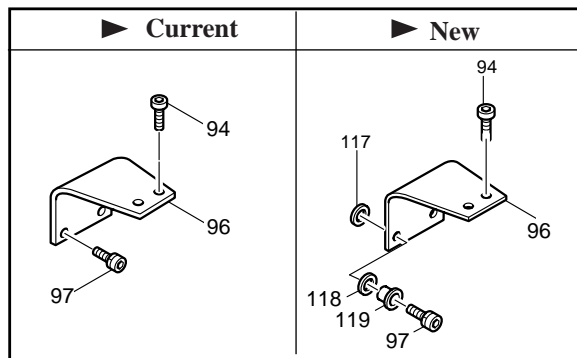
Item No.	Part No.	Qty. Used	Description	Item No.	Part No.	Qty. Used	Description
1	**	3	KEY 4	55	213428-5	1	X RING 28
2	316068-9	1	BARREL	56	213411-2	1	O RING 27
3	213707-1	1	O RING 65	57	213663-5	1	O RING 55
4	214653-1	1	PLANE BEARING 52	58	331132-5	1	TOOL RETAINER
5	267044-5	1	FLAT WASHER 52	59	322203-9	1	TOOL HOLDER
6	221380-3	1	SPIRAL BEVEL GEAR 41	60	231281-7	1	COMPRESSION SPRING 15
7	*****	1	STRIKER	62	252046-4	1	HEX. NUT M8-13
8	*****	1	O RING 32	63	922451-6	4	HEX. SOCKET HEAD BOLT M8X30
10	*****	1	O RING 32	64	**	1	CYLINDER LINER CPL. (INC. 1)
11	*****	1	INNER RING 36	65	213459-4	1	O RING 32
12	256120-0	1	PIN 10	66	211129-9	1	BALL BEARING 6201DDW
13	*****	1	PISTON	67	213160-1	1	OIL SEAL 14
14	150046-7	1	CRANK CAP COMPLETE	68	241634-2	1	FAN 94
15	213754-2	1	O RING 71	69	514886-1	1	ARMATURE ASS'Y 115V (INC. 68,70,71)
16	315419-3	1	CONNECTING ROD	70	681635-2	1	INSULATION WASHER
17	212208-6	1	NEEDLE BEARING 1516	71	211087-9	1	BALL BEARING 6200DDW
18	153176-3	1	CRANK SHAFT COMPLETE	72	213406-5	1	O RING 30
19	254001-2	2	WOODRUFF KEY 4	73	265346-3	2	+ HEX. BOLT M5X55
20	254001-2	1	WOODRUFF KEY 4	75	524831-8	1	FIELD ASS'Y 115V
21	962251-2	1	RETAINING RING R-52	76	953106-2	4	RIVET 0-5
22	211327-5	1	BALL BEARING 6304LLU	78	159054-5	1	MOTOR HOUSING (INC. 72)
23	213656-2	1	O RING 53	79	643650-4	2	BRUSH HOLDER CAP 6.5-13.5
24	157868-6	1	CRANK HOUSING CPL. (INC. 23)	80	181048-2	1	A.C. CARBON BRUSH CB-155
25	221761-1	1	HELICAL GEAR 41	81	284055-5	1	REAR COVER
26	221957-4	1	SPUR GEAR 24	82	942101-7	2	SPRING WASHER 5
27	212113-7	1	NEEDLE BEARING 1212	83	922222-1	2	HEX. SOCKET HEAD BOLT M5X16
28	263005-3	1	RUBBER PIN 6	84	922376-4	4	HEX. SOCKET HEAD BOLT M6X55
29	421690-0	1	SEAL RING	85	941151-9	4	FLAT WASHER 6
30	157867-8	1	GEAR HOUSING CPL. (INC. 28,65)	87	***	1	SPLIT PIN
31	253787-5	1	FLAT WASHER 16	88	***	1	SIDE HANDLE
32	210004-6	1	BALL BEARING 638	89	***	1	WING NUT M8
33	253865-1	1	FLAT WASHER 8	90	***	1	SPRING WASHER 10
34	231446-1	1	COMPRESSION SPRING 12	91	***	1	HEX. BOLT M8X150
35	150009-3	1	TORQUE LIMITER ASS'Y (32-34,36,37)	92	***	1	SPLIT PIN
36	253310-6	1	THIN WASHER 10	93	***	1	GRIP 38
37	153174-7	1	GEAR COMPLETE	94	*	2	HEX. SOCKET HEAD BOLT M6X14
38	212359-5	1	NEEDLE BEARING 2216	96	*	2	CUSHION PLATE
39	212011-5	1	NEEDLE BEARING 609	97	*	2	HEX. SOCKET HEAD BOLT M6X25
40	961011-9	1	STOP RING E-4	99	421265-5	1	DUST COVER
41	213055-8	1	O RING 10	100	911129-6	1	PAN HEAD SCREW M4X16
42	322187-1	1	CHANGE SHAFT	101	651145-3	1	SWITCH
43	342786-3	1	PLATE	102	931302-2	1	HEX. NUT M6
44	216002-8	1	STEEL BALL 4.8	103	*	1	SPRING WASHER 6
45	231317-2	1	COMPRESSION SPRING 3	104	941151-9	1	FLAT WASHER 6
46	410331-3	1	CHANGE LEVER	105	263002-9	1	RUBBER PIN 4
47	941052-1	1	FLAT WASHER 4	108	263002-9	1	RUBBER PIN 4
48	922126-7	1	HEX. SOCKET HEAD BOLT M4X16	109	321210-9	1	HANDLE SHAFT
49	942101-7	2	SPRING WASHER 5	110	182077-8	1	HANDLE SET (INC. 105,108,115)
50	922212-4	2	HEX. SOCKET HEAD BOLT M5X12	111	682568-4	1	CORD GUARD 10
51	322156-2	1	IMPACT BOLT	112	664276-9	1	POWER SUPPLY CORD AWG#16-2-5.0
52	267043-7	1	FLAT WASHER 43	113	687001-1	1	STRAIN RELIEF
53	211469-5	1	BALL BEARING 6907	114	911133-5	2	PAN HEAD SCREW M4X18
54	252119-3	1	DODEC. NUT M34.8-41	115	182077-8	1	HANDLE SET (INC. 105,108,110)

Item No.	Part No.	Qty. Used	Description	Item No.	Part No.	Qty. Used	Description
116	911243-8	2	PAN HEAD SCREW M5X25	404	273472-4	1	GRIP 32
117	*	2	RUBBER RING 9	500	134887-9	1	SIDE HANDLE ASS'Y (INC.88,89,91,122)
118	*	2	RUBBER RING 9	ACCESSORIES			
119	*	2	SLEEVE 6	400	***	1	PLASTIC CARRYING CASE COMP. (INC. 2 EA. LATCH 416401-6)
120	***	1	UPPER HANDLE BASE	401	783202-0	1	HEX. WRENCH 4
121	***	1	LOWER HANDLE BASE				
122	***	1	SIDE HANDLE 62 COMPLETE				
123	211469-5	1	BALL BEARING 6907				

*See Service Change 1
**See Service Change 2
***See Service Change 3
****See Service Change 4
*****See Service Change 5
*****See Service Change 6

SERVICE CHANGE

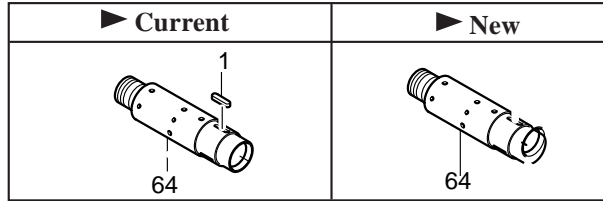
1. Change on Cushion Plate, Rubber Rings are added.



Item No.	TYPE 1	Q'ty	TYPE 2	Q'ty
94	Hex Socket Head Bolt W/Spring Washer M6x14 922317-0	2	Hex Socket Head Bolt W/Spring Washer M6x14 922316-2	2
96	Cushion Plate 342613-4 (Discontinued)	2	Cushion Plate 343754-9	2
97	Hex Socket Head Bolt W/Spring Washer M6x14 922317-0	2	Hex Socket Head Bolt W/Spring Washer M6x25 265914-2	2
103	Spring Washer 6 942151-2	1		
117			Rubber Ring 9 262051-3	2
118			Rubber Ring 9 262052-1	2
119			Sleeve 6 257636-8	2

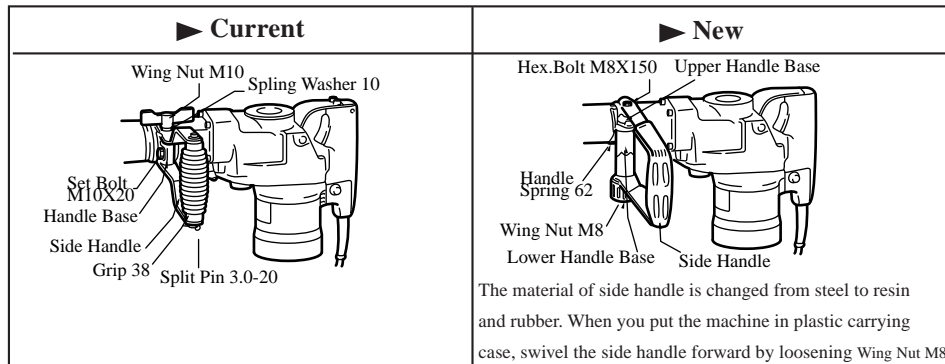
The above items are interchangeable as a set.

2. Changes on Cylinder Liner.



Item No.	TYPE 1	Q'ty	TYPE 2	Q'ty
1	Key 4 254231-5	3	Cylinder Liner 152396-6 (Inc. Fig. 1)	1
64	Cylinder Liner 322155-4 (Discontinued)	1		

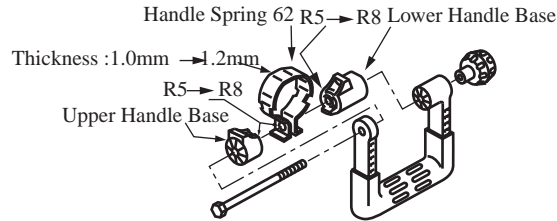
3. Changes on side handle and carrying case



Item No.	TYPE 1	Q'ty	I/C	TYPE 2	Q'ty
500	Side Handle 343519-9 (Discontinued) (STEEL))	1	No	Side Handle Ass'y 134797-0 (Inc. 88,89,91,120,121,122) (See Service Change 6)	1
93	Grip 38 273492-8	1			
87,92	Split Pin 3.0-20 952257-8	2			
89	Wing Nut M10 259020-3 (Discontinued)	1	No	Wing Nut M8 252640-2	1
91	Set Bolt M10X20 265902-9 (Discontinued)	1	No	Hex Bolt M8X150 265439-6	1
120	Handle Base 414774-1 (Discontinued)	1	No	Upper Handle Base 416060-6 (See Service Change 4)	1
121				Lower Handle Base 416089-2 (See Service Change 4)	1
122				Handle Spring 62 344387-3 (See Service Change 4)	1
90	Spring Washer 10 942251-8	1			
400	Steel Carrying Case 150014-0 (Discontinued)	1	No	Plastic Carrying Case Comp. 150589-9 (Inc. 2 Ea. Latch 416401-6)	1

4. Changes on Handle Spring 62, Upper Handle Base and Lower Handle Base.

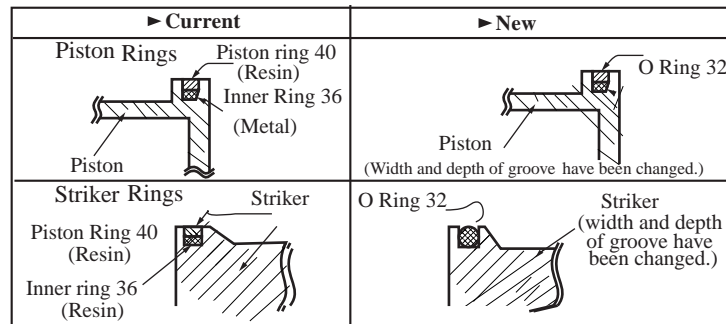
	► Current	► New
Upper Handle Base Lower Handle Base	Corner contacted with Handle Spring 62 : R5	Corner contacted with Handle Spring 62 : R8
Handle Spring 62	Corner contacted with handle bases : R5	Corner contacted with handle bases : R8
	Thickness : 1.0mm	Thickness : 1.2mm



Item No.	TYPE 1	Q'ty	I/C	TYPE 2	Q'ty
122	Handle Spring 62 344387-3 (Discontinued)	1	No	Handle Spring 62 344617-2 (See Service Change 6)	1
120	Upper Handle Base 416060-6 (Discontinued)	1	No	Upper Handle Base 416480-4 (See Service Change 6)	1
121	Lower Handle Base 416089-2 (Discontinued)	1	No	Lower Handle Base 416481-2 (See Service Change 6)	1

The above parts are interchangeable as a set.

5. Changes on Piston, Striker, Rings, Helical Gear and Ball Bearing.



Item No.	TYPE 1	Q'ty	I/C	TYPE 2	Q'ty
13	Piston 321441-0	1	No	Piston 323750-3	1
7	Striker 322155-4 (Discontinued)	1	No	Striker 323751-1	1
8/10	Piston Ring 40 412049-2	2	No	O Ring 32 213481-1	2
11	Inner Ring 36 341862-0	1			
9	Inner Ring 36 412080-8 (Discontinued)	1			

The above parts are interchangeable as a set.

6. Change of D-shaped Side Handle

► Current	► New	Summary of Modification
<p>Upper Handle Base (resin)/ 1pc.</p> <p>Handle Spring 62 (steel Plate)/ 1pc.</p> <p>Lower Handle Base (resin)/ 1pc.</p>	<p>Side Handle 62 Cpl. (aluminum)/ 1pc.</p>	<p>In either case, the current parts have been unified to the handle complete.</p>

Item No.	TYPE 3	Q'ty	I/C	TYPE 4	Q'ty	Note
120	Upper Handle Base 416480-4 (Discontinued)	1	←	Side Handle 62 Complete 151768-2 (Aluminum)	1	↑ Interchangeable as a set ↓
121	Lower Handle Base 416481-2 (Discontinued)	1	←			
122	Handle Spring 62 344617-2 (Discontinued)	1	←			
500	Side Handle Ass'y 134797-0 (Inc.88,89,91,120,121,122) (Discontinued)		1	Side Handle Ass'y 134887-9 (Inc.88,89,91,122)	1	