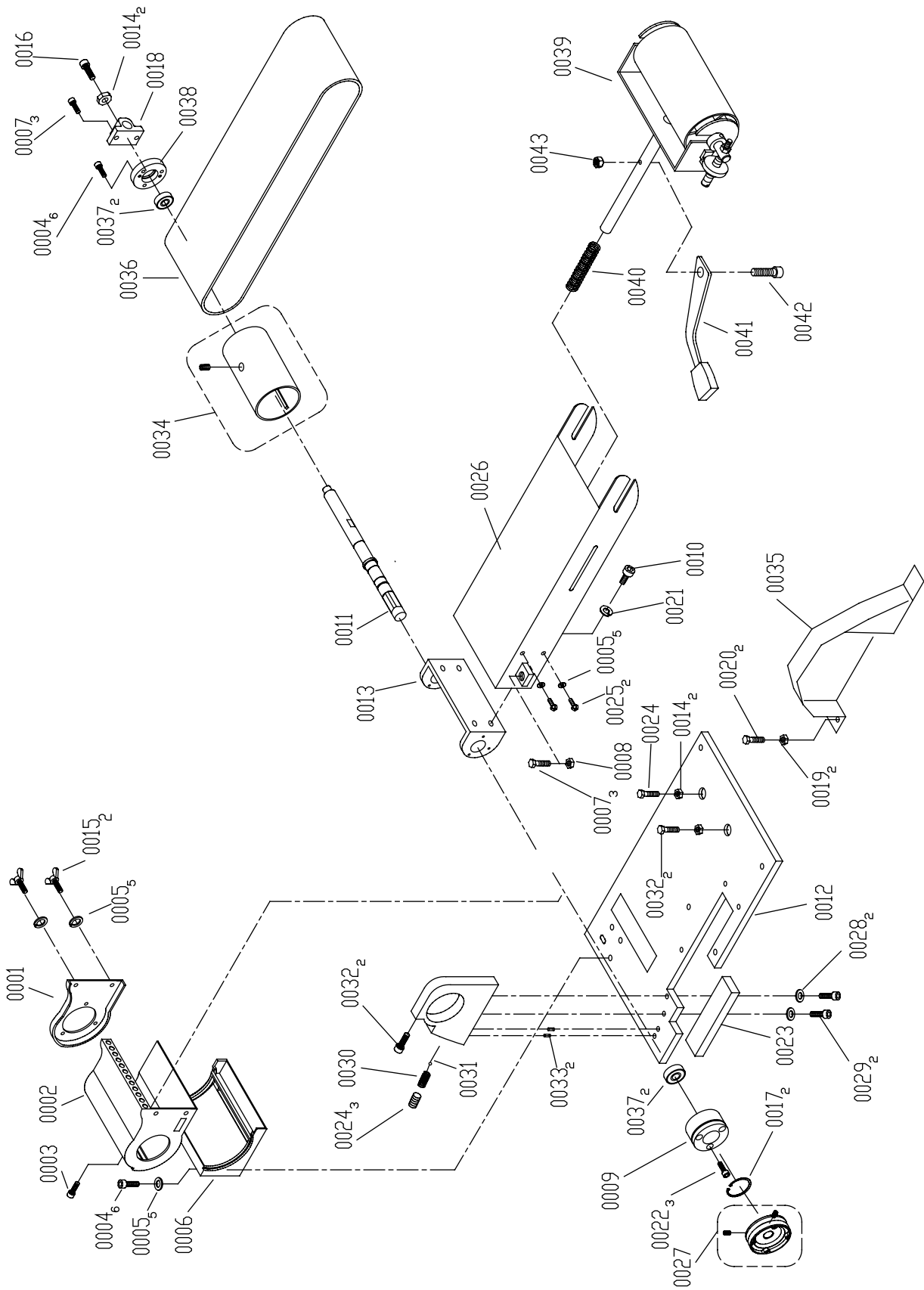


4" x 8" BELT/DISC SANDER

MODEL NO. SB10Y

SCHEMATIC A



PARTS LIST

4" x 8" BELT/DISC SANDER

MODEL NO. SB10Y

ALWAYS ORDER BY PART NO. AND I.D. NUMBER.

PARTS LIST FOR SCHEMATIC A

Part No.	I.D.	Description	Size	Qty	Part No.	I.D.	Description	Size	Qty
327589	0001	Side Cover		1	327611	0023	Foam Strip		1
327590	0002	Deflector/Work Stop		1	†	0024	Hex Hd. Bolt	M8*1.25-40	1
†	0003	Cr. Re. Pan Hd. Screw	M4*0.7-15	1	†	0025	Cr. Re. Pan Hd. Screw	M5*0.8-10	2
†	0004	Soc. Hd. Bolt	M5*0.8-10	6	327614	0026	Platen		1
†	0005	Flat Washer	M5	5	327615	0027	Pulley		1
327594	0006	Dust Cover		1	†	0028	Flat Washer	M8	2
†	0007	Hex Hd. Bolt	M6*1.0-16	3	†	0029	Soc. Hd. Bolt	M8*1.25-15	2
†	0008	Hex Nut	M6*1.0	1	327618	0030	Spring		1
327597	0009	Pivot		1	†	0031	Ball	M8	1
327598	0010	Bolt		1	†	0032	Soc. Hd. Bolt	M8*1.25-20	2
327599	0011	Shaft		1	327621	0033	Pin		2
N/A	0012	Base Cover		1	327622	0034	Drive Drum		1
327601	0013	Bracket		1	327633	0035	Guard		1
†	0014	Hex Nut	M8*1.0	2	327624	0036	Abrasive Belt	4" X 36",#100	1
†	0015	Wing Screw	M5*0.8-12	2	327625	0037	Bearing	6000ZZ	2
†	0016	Soc. Hd. Bolt	M8*1.25-18	1	327626	0038	Bearing Plate		1
327605	0017	Retaining Ring		2	327627	0039	Idler Drum Ass'y		1
327606	0018	Mount		1	327628	0040	Spring		1
†	0019	Flat Washer	M6	2	327629	0041	Tension Lever		1
†	0020	Cr. Re. Pan Hd. Screw	M6*1.0-10	2	†	0042	Soc. Hd. Bolt	M6*1.0-20	1
†	0021	Spring Washer	M5	1	†	0043	Fiber Hex Nut	M6*1.0	1
†	0022	Soc. Hd. Bolt	M6*1.0-30	3					

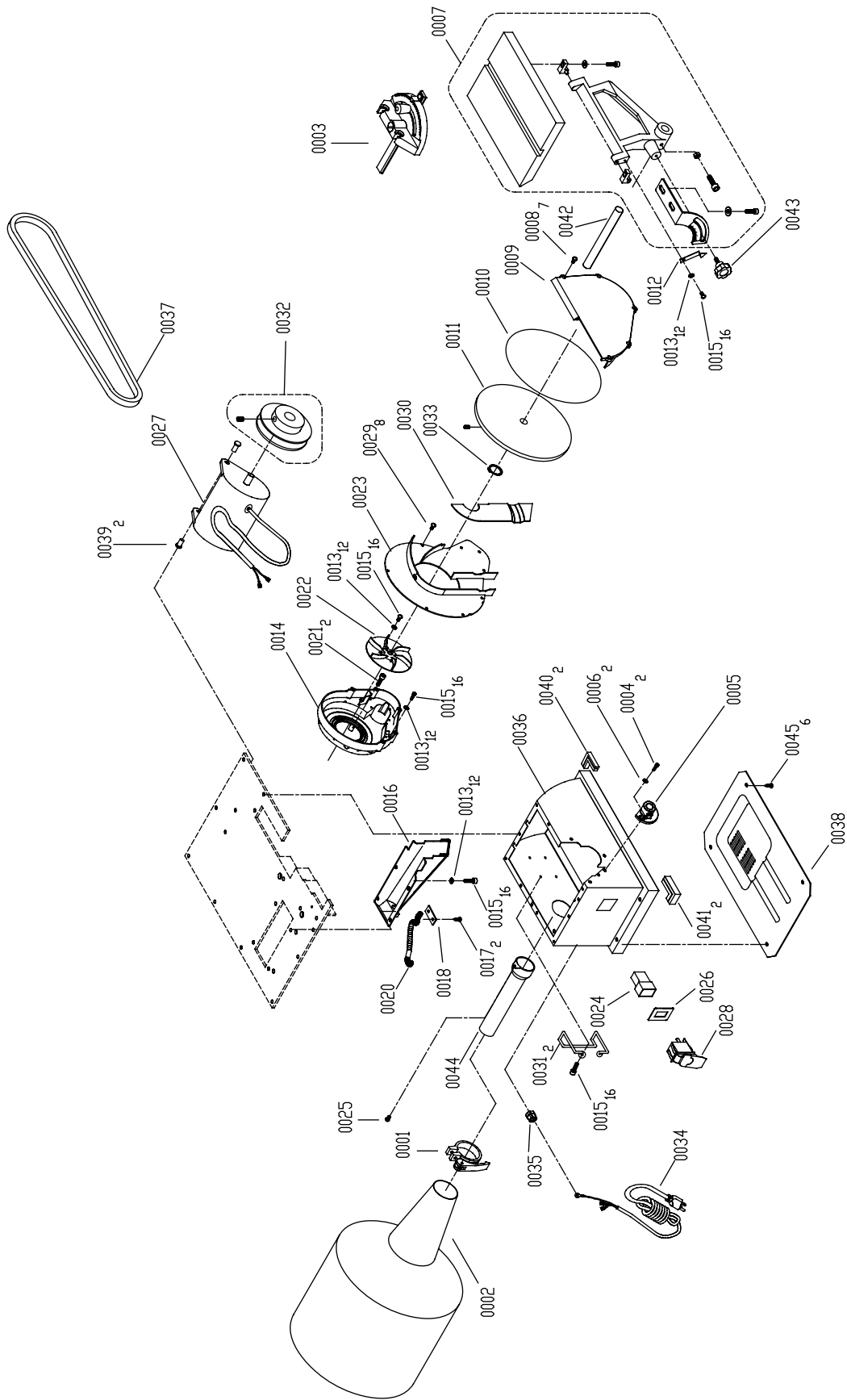
N/A Not available as replacement part.

† Standard hardware item available locally.

4" x 8" BELT/DISC SANDER

MODEL NO. SB10Y

SCHEMATIC B



PARTS LIST

4" x 8" BELT/DISC SANDER

MODEL NO. SB10Y

ALWAYS ORDER BY PART NO. AND I.D. NUMBER

PARTS LIST FOR SCHEMATIC B

Part No.	I.D.	Description	Size	Qty	Part No.	I.D.	Description	Size	Qty
327634	0001	Bag Clamp		1	327656	0023	Dust Plate		1
327635	0002	Dust Bag		1	327657	0024	Switch Box		1
327636	0003	Miter Gauge Ass'y		1	327658	0025	Screw		1
†	0004	Soc. Hd. Bolt	M6*1.0-16	2	327659	0026	Switch Plate		1
327638	0005	Mount		1	327686	0027	Motor		1
†	0006	Flat Washer	M6	2	327661	0028	Switch		1
327640	0007	Table Ass'y		1	327662	0029	Screw		8
		(Incl. 0012, 0013, 0015 & 0043)			327663	0030	Cover		1
†	0008	Cr. Re. Pan Hd. Screw	M5*0.8-12	7	327664	0031	Hook		2
327642	0009	Disc Cover		1	327684	0032	Motor Pulley		1
327643	0010	Abrasive Disc	8",#100	1	327666	0033	Ring		1
327644	0011	Disc		1	327667	0034	Power Cord		1
327645	0012	Pointer		1	327668	0035	Strain Relief		1
†	0013	Flat Washer	M5	12	N/A	0036	Body		1
N/A	0014	Disc Guard		1	327683	0037	V-Belt	Z-630	1
†	0015	Soc. Hd. Bolt	M5*0.8-10	16	327682	0038	Base Cover		1
327649	0016	Dust Hopper		1	327681	0039	Pin		2
327650	0017	Screw		2	327673	0040	Foot A		2
327651	0018	Clip		1	327674	0041	Foot B		2
†	0019	Set Screw (Headless)	M8*10	4	327675	0042	Rod		1
327653	0020	Pipe		1	327676	0043	Knob		1
†	0021	Soc. Hd. Bolt	M5*0.8-25	2	327677	0044	Dust Chute		1
327655	0022	Impeller		1	†	0045	Cr. Re. Pan Hd. Screw	M4*0.7-10	6

N/A Not available as replacement part.

† Standard hardware item available locally.