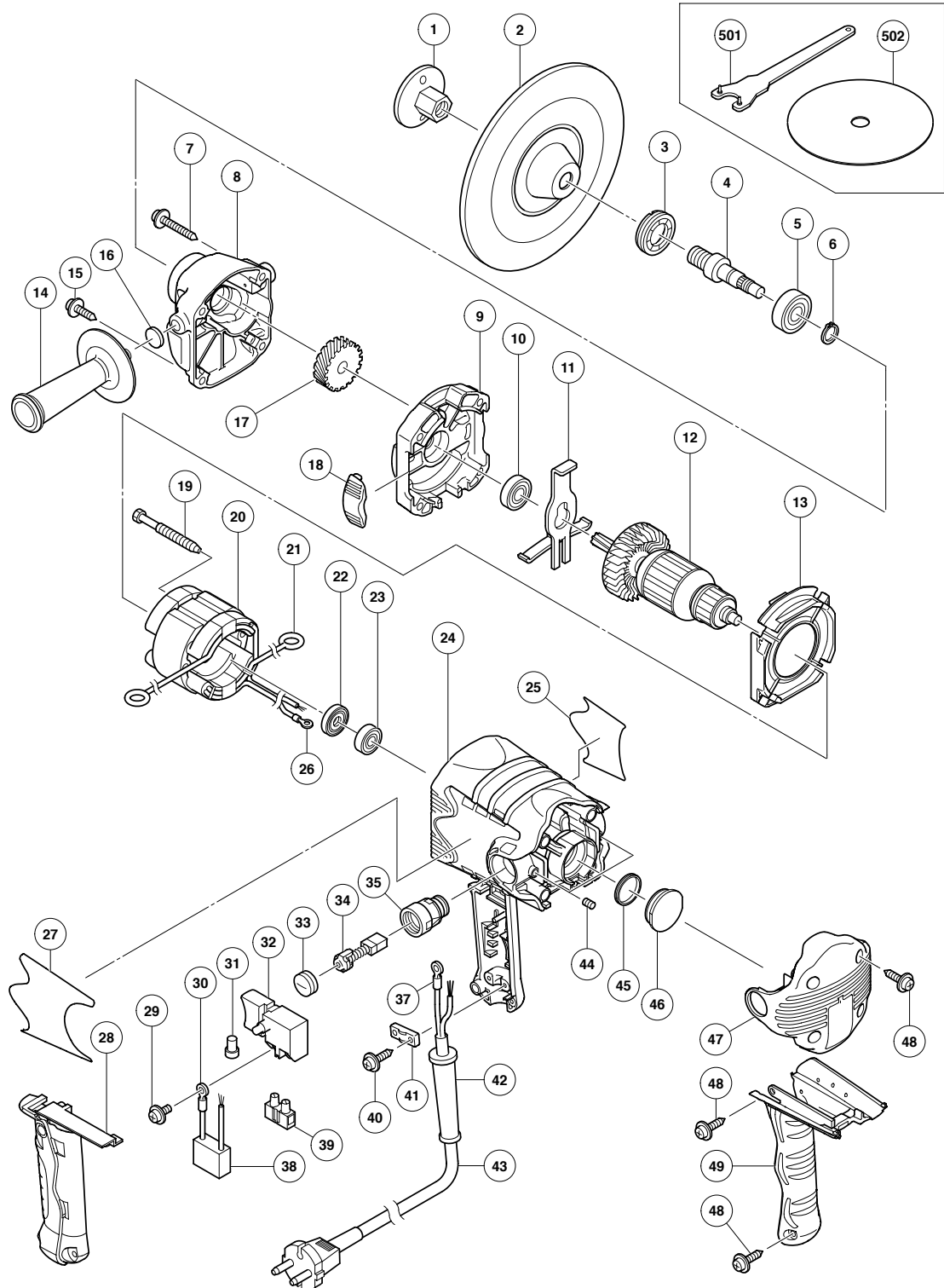


ELECTRIC TOOL PARTS LIST

■ DISC SANDER
Model S 18SB

2006 · 2 · 1
(E1)



PARTS

S 18SB

| ITEM NO. | CODE NO. | DESCRIPTION | NO. USED | REMARKS | |
|----------|----------|----------------------------|--|--------------------------------|-------------------|
| * 1 | 953-381 | WASHER NUT | 1 | | |
| * 1 | 953-246Z | WASHER NUT M14 | 1 | FOR EUROPE | |
| * 1 | 953-254P | WASHER NUT 5/8"-11UNC | 1 | FOR USA, CAN | |
| * 2 | 953-255 | RUBBER PAD (D16 HOLE) | 1 | | |
| * 2 | 953-247Z | RUBBER PAD (D14 HOLE) | 1 | FOR EUROPE | |
| | 3 | 325-857 | BEARING CAP | 1 | |
| * 4 | 325-501 | SPINDLE (B) | 1 | | |
| * 4 | 325-502 | SPINDLE (B) | 1 | FOR EUROPE | |
| * 4 | 325-503 | SPINDLE (B) | 1 | FOR USA, CAN | |
| | 5 | 620-1DD | BALL BEARING 6201DDCMPS2L | 1 | |
| | 6 | 939-542 | RETAINING RING FOR D12 SHAFT (10 PCS.) | 1 | |
| | 7 | 309-778 | TAPPING SCREW (W/FLANGE) D5X55 (BLACK) | 2 | |
| | 8 | 325-499 | GEAR COVER ASS'Y | 1 | INCLUD. 16 |
| | 9 | 325-498 | INNER COVER | 1 | |
| | 10 | 600-0DD | BALL BEARING 6000DDCMPS2L | 1 | |
| | 11 | 325-477 | LOCK LEVER | 1 | |
| * 12 | 360-758U | ARMATURE ASS'Y (D) 120V | 1 | INCLUD. 10, 22, 23 | |
| * 12 | 360-758E | ARMATURE (D) 220V-230V | 1 | | |
| * 12 | 360-758F | ARMATURE (D) 240V | 1 | | |
| | 13 | 325-474 | FAN GUIDE | 1 | |
| | 14 | 994-322 | SIDE HANDLE | 1 | |
| | 15 | 323-209 | TAPPING SCREW (W/FLANGE) D5X35 (BLACK) | 2 | |
| | 16 | 937-033 | FELT WASHER | 2 | |
| | 17 | 325-500 | FIRST GEAR | 1 | |
| | 18 | 328-483 | AIR COVER | 1 | |
| | 19 | 992-509 | HEX. HD. TAPPING SCREW D5X45 | 2 | |
| * 20 | 340-656C | STATOR ASS'Y (D) 120V | 1 | INCLUD. 21, 26 | |
| * 20 | 340-656E | STATOR ASS'Y (D) 220V-230V | 1 | INCLUD. 21, 26 | |
| * 20 | 340-656G | STATOR ASS'Y (D) 220V-230V | 1 | INCLUD. 21, 26 FOR EUROPE, CHN | |
| * 20 | 340-656F | STATOR ASS'Y (D) 240V | 1 | INCLUD. 21, 26 | |
| | 21 | 930-703 | BRUSH TERMINAL | 2 | |
| | 22 | 315-877 | DUST SEAL | 1 | |
| | 23 | 608-VVM | BALL BEARING 608VVC2PS2L | 1 | |
| | 24 | 325-492 | HOUSING ASS'Y | 1 | INCLUD. 35, 44-46 |
| | 25 | | NAME PLATE | 1 | |
| | 26 | 980-063 | TERMINAL | 1 | |
| | 27 | | HITACHI LABEL | 1 | |
| | 28 | 325-481 | HANDLE COVER | 1 | |
| | 29 | 305-499 | MACHINE SCREW (W/WASHER) M3.5X6 | 2 | |
| * 30 | 980-063 | TERMINAL | 1 | FOR NOISE SUPPRESSOR | |
| * 31 | 959-140 | CONNECTOR 50091 (10 PCS.) | 1 | FOR USA, CAN, INA, SIN | |
| | 32 | 305-409 | SWITCH (A) (1P PLUG IN TYPE) W/O LOCK | 1 | INCLUD. 29 |
| | 33 | 945-161 | BRUSH CAP | 2 | |
| | 34 | 999-043 | CARBON BRUSH (1 PAIR) | 2 | |
| | 35 | 958-900 | BRUSH HOLDER | 2 | |
| | 37 | 980-063 | TERMINAL | 1 | FOR CORD |
| * 38 | 930-039 | NOISE SUPPRESSOR | 1 | FOR EUROPE, CHN | |
| * 39 | 938-307 | PILLAR TERMINAL | 1 | FOR EUROPE, MAL, CHN | |
| | 40 | 984-750 | TAPPING SCREW (W/FLANGE) D4X16 | 2 | |
| | 41 | 937-631 | CORD CLIP | 1 | |
| | 42 | 953-327 | CORD ARMOR D8.8 | 1 | |

