

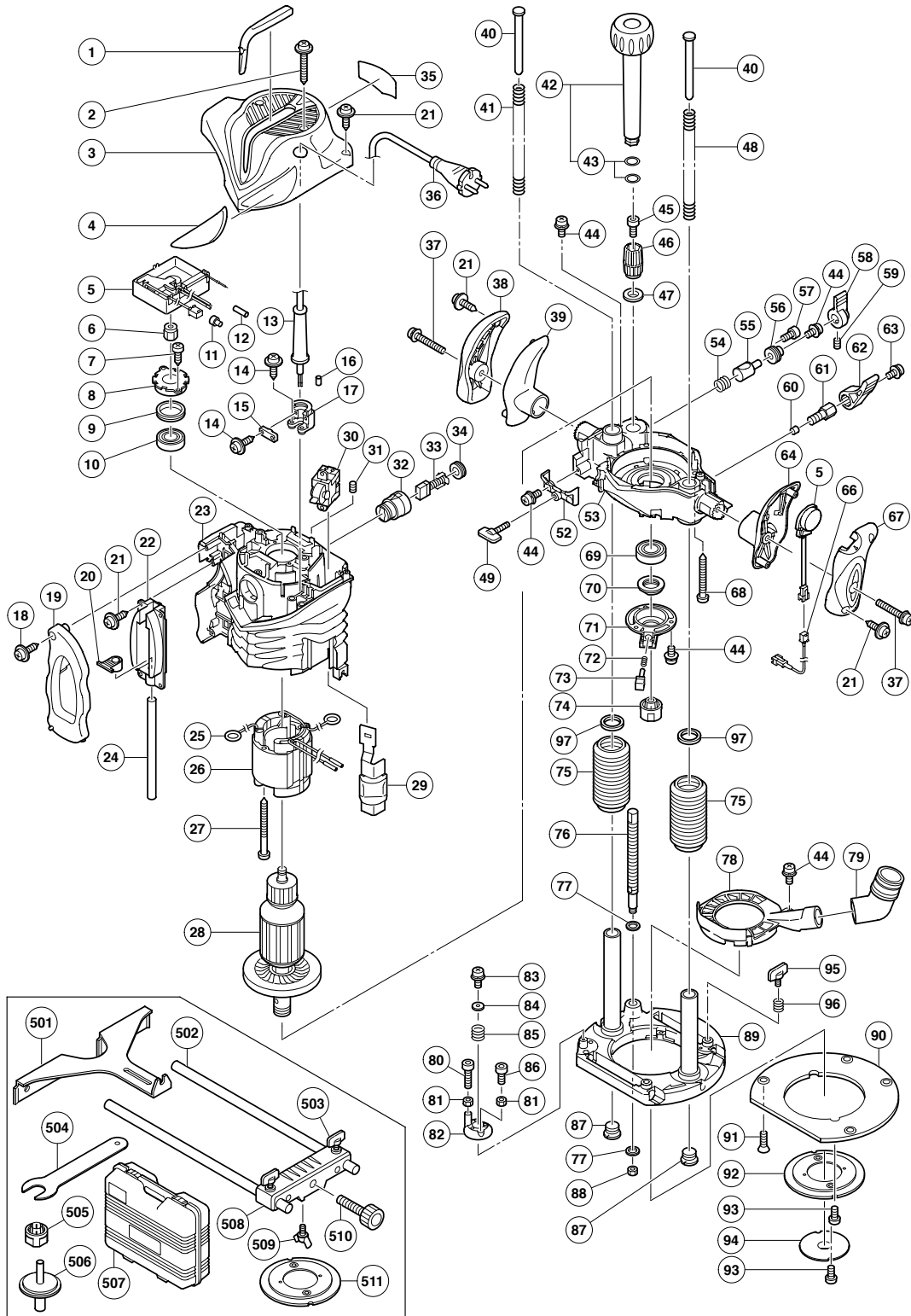
## ELECTRIC TOOL PARTS LIST

### ROUTER

2006 · 2 · 22

### Model M 12V2

(E1)



**PARTS**

M 12V2

ITEM NO.	CODE NO.	DESCRIPTION	NO. USED	REMARKS
1		HITACHI LABEL (B)	1	
2	305-490	TAPPING SCREW (W/FLANGE) D4X30 (BLACK)	2	
3	325-168	HEAD COVER	1	
4		HITACHI LABEL (A)	1	
* 5	325-200	CONTROLLER CIRCUIT (C) DIAL SET 100-120V	1	
* 5	325-368	CONTROLLER CIRCUIT (A) DIAL SET 230V	1	
* 5	325-218	CONTROLLER CIRCUIT (A) DIAL SET 230-240V	1	FOR SIN, KUW, NZL, AUS, SAF
6	301-797	MAGNET	1	
7	954-017	TAPPING SCREW D4X12	2	
8	325-169	BEARING BUSHING	1	
9	325-184	RUBBER RING	1	
10	620-0VV	BALL BEARING 6200VVCMP2L	1	
11	959-141	CONNECTOR 50092 (10 PCS.)	1	
12	961-820	TUBE (D)	1	
* 13	953-327	CORD ARMOR D8.8	1	
* 13	938-051	CORD ARMOR D10.1	1	
14	984-750	TAPPING SCREW (W/FLANGE) D4X16	4	
15	937-631	CORD CLIP	1	
* 16	981-373	TUBE (D)	2	
* 16	961-820	TUBE (D)	2	FOR USA, CAN
17	325-203	CORD HOLDER	1	
18	302-086	TAPPING SCREW (W/FLANGE) D4X20 (BLACK)	1	
19	325-170	FRONT COVER (B)	1	
20	325-198	MARKER	1	
21	305-812	TAPPING SCREW (W/FLANGE) D4X16 (BLACK)	10	
22	325-197	POLE HOLDER	1	
23	325-219	HOUSING ASS'Y	1	INCLUD. 31, 32
24	325-196	STOPPER POLE (A)	1	
25	958-032	BRUSH TERMINAL	2	
* 26	340-659C	STATOR ASS'Y 120V	1	INCLUD. 25
* 26	340-659G	STATOR ASS'Y 230V	1	INCLUD. 25
* 26	340-659E	STATOR ASS'Y 230V	1	INCLUD. 25 FOR SIN, SAF
* 26	340-659F	STATOR ASS'Y 240V	1	INCLUD. 25
* 26	340-659H	STATOR ASS'Y 240V	1	INCLUD. 25 FOR AUS
27	961-400	HEX. HD. TAPPING SCREW D5X70	2	
* 28	360-748U	ARMATURE ASS'Y 110V-120V	1	INCLUD. 10, 69
* 28	360-748E	ARMATURE 230V-240V	1	
29	325-960	LEVER	1	
30	301-821	SWITCH (2P PILLAR TYPE) W/O LOCK	1	
31	938-477	HEX. SOCKET SET SCREW M5X8	2	
32	980-487	BRUSH HOLDER	2	
33	999-044	CARBON BRUSH (1 PAIR)	2	
34	940-540	BRUSH CAP	2	
35		NAME PLATE	1	
* 36	500-234Z	CORD	1	(CORD ARMOR D8.8)
* 36	500-247Z	CORD	1	(CORD ARMOR D10.1) FOR FIN, NOR, SWE, DEN, AUT
* 36	500-423Z	CORD	1	(CORD ARMOR D8.8) FOR SIN, KUW
* 36	500-439Z	CORD	1	(CORD ARMOR D8.8) FOR NZL, AUS
* 36	500-242Z	CORD	1	(CORD ARMOR D10.1) FOR USA, CAN
* 36	500-248Z	CORD	1	(CORD ARMOR D10.1) FOR SUI
* 36	500-435Z	CORD	1	(CORD ARMOR D8.8) FOR GBR (230V)

**PARTS**

M 12V2

ITEM NO.	CODE NO.	DESCRIPTION	NO. USED	REMARKS
* 36	500-396Z	CORD	1	(CORD ARMOR D10.1) FOR GBR (110V)
37	307-443	MACHINE SCREW (W/WASHERS) M6X30 (BLACK)	2	
38	325-220	HANDLE (L) B	1	
39	325-171	HANDLE (L) A	1	
40	325-180	SPRING GUIDE	2	
41	325-177	PLUNGE SPRING (R)	1	
42	325-214	KNOB (B) ASS'Y	1	INCLUD. 43
43	872-654	O-RING (1AP-10)	2	
44	935-196	MACHINE SCREW (W/WASHERS) M4X12 (BLACK)	8	
45	984-509	SEAL LOCK HEX. SOCKET HD. BOLT M5X14	1	
46	325-194	KNOB (C)	1	
47	325-195	GUIDE SLEEVE	1	
48	325-176	PLUNGE SPRING (L)	1	
49	301-801	WING BOLT M6X27	1	
52	325-173	FRONT COVER (C)	1	
* 53	325-205	END BRACKET	1	
* 53	326-043	END BRACKET	1	FOR USA, CAN
54	325-193	SPRING	1	
55	325-192	SPECIAL NUT TR12	1	
56	325-191	SPECIAL BOLT M20	1	
57	949-811	HEX. SOCKET HD. BOLT M4X8 (10 PCS.)	1	
58	325-190	LEVER (B)	1	
59	985-033	HEX. SOCKET SET SCREW M6X6	1	
60	971-848	LOCK PIECE	1	
61	325-187	LOCK SCREW M10	1	
* 62	326-042	LEVER (A)	1	
* 62	322-601	LEVER (A) W/O STOPPER	1	FOR SIN, KUW, SAF, USA, CAN
63	997-314	MACHINE SCREW (W/WASHERS) M6X10	1	
64	325-172	HANDLE (R) A	1	
66	325-202	CORD (A)	1	
67	325-962	HANDLE (R) B	1	
68	307-100	TAPPING SCREW D5X50	4	
69	600-4VV	BALL BEARING 6004VVCMP2L	1	
70	325-186	THRUST NUT	1	
71	325-185	BEARING COVER	1	
72	325-183	LOCK SPRING (A)	1	
73	325-182	PUSHING BUTTON	1	
* 74	325-199	COLLET CHUCK 12MM	1	
* 74	323-421	COLLET CHUCK 1/2"	1	FOR NZL, AUS, GBR, SAF, USA, CAN
75	325-207	BELLOWS (A)	2	
76	325-189	SPECIAL BOLT TR12	1	
77	325-188	WASHER	2	
78	325-210	DUST GUIDE	1	
79	325-215	DUST GUIDE ADAPTER	1	
80	949-662	HEX. SOCKET HD. BOLT M5X25 (10 PCS.)	1	
81	302-012	NUT M5 (BLACK)	2	
82	325-181	STOPPER BLOCK	1	
83	317-200	MACHINE SCREW (W/WASHERS) M4X8 (BLACK)	1	
84	962-569	WASHER (B)	1	
85	971-858	SPRING (A)	1	
86	949-765	HEX. SOCKET HD. BOLT M5X12 (10 PCS.)	1	



## STANDARD ACCESSORIES

M 12V2

ITEM NO.	CODE NO.	DESCRIPTION	NO. USED	REMARKS
501	956-797	STRAIGHT GUIDE	1	
502	325-216	GUIDE BAR (A)	2	
503	301-806	WING BOLT M6X15	2	
504	323-295	WRENCH 23MM	1	
* 505	325-212	COLLET CHUCK 8MM	1	
* 505	323-293	COLLET CHUCK 1/4"	1	FOR NZL, AUS, GBR, SAF, USA, CAN
* 506	325-213	CENTERING GAUGE	1	
* 506	325-223	CENTERING GAUGE	1	FOR NZL, AUS, GBR, SAF, USA, CAN
* 507	325-222	CASE	1	EXCEPT FOR USA, CAN, RUS
508	325-217	BAR HOLDER	1	
509	949-394	WING BOLT M6X10 (10 PCS.)	1	
510	956-793	FEED SCREW	1	
* 511	325-224	TEMPLATE GUIDE ADAPTER	1	FOR USA, CAN

## OPTIONAL ACCESSORIES

ITEM NO.	CODE NO.	DESCRIPTION	NO. USED	REMARKS
* 601	313-765	STRAIGHT BIT (TCT) D1/2"X1/2"	1	FOR NZL, AUS, GBR, SAF, USA, CAN
* 602	307-801	COLLET CHUCK 1/2"	1	EXCEPT FOR NZL, AUS, GBR, SAF, USA, CAN
* 603	323-293	COLLET CHUCK 1/4"	1	EXCEPT FOR NZL, AUS, GBR, SAF, USA, CAN
* 604	325-369	TEMPLATE GUIDE ADAPTER	1	FOR NZL, AUS, GBR, SAF
* 605	323-298	TEMPLATE GUIDE D7.9	1	FOR USA,CAN
* 606	323-299	TEMPLATE GUIDE D9.5	1	FOR USA,CAN
* 607	323-300	TEMPLATE GUIDE D11.1	1	FOR USA,CAN
* 608	323-301	TEMPLATE GUIDE D12.7	1	FOR USA,CAN
* 609	323-302	TEMPLATE GUIDE D15.9	1	FOR USA,CAN
* 610	323-303	TEMPLATE GUIDE D19.1	1	FOR USA,CAN
* 611	323-304	TEMPLATE GUIDE D20.2	1	FOR USA,CAN
* 612	323-305	LOCK NUT	1	FOR USA,CAN
613	956-794	TRIMMER GUIDE	1	
614	956-803	DOUBLE FLUSH TRIMMING BIT (TCT) D12X12	1	
615	956-802	DOUBLE FLUSH TRIMMING BIT (TCT) D8X8	1	
616	956-801	DOUBLE FLUSH TRIMMING BIT (TCT) D6X6	1	
617	956-806	FLUSH TRIMMING BIT (TCT) D12X12	1	
618	956-805	FLUSH TRIMMING BIT (TCT) D8X8	1	
619	956-804	FLUSH TRIMMING BIT (TCT) D6X6	1	
620	956-810	STRAIGHT BIT (TCT) D12X12	1	
621	956-809	STRAIGHT BIT (TCT) D12X10	1	
622	312-273	STRAIGHT BIT (TCT) D6X6	1	
623	956-813	ROUND OVER BIT (TCT) D12XR8X24	1	
624	956-812	ROUND OVER BIT (TCT) D12XR6X20	1	
625	956-811	ROUND OVER BIT (TCT) D12XR4.5X19	1	
626	956-814	CHAMFERING BIT (TCT) 45° D6X20	1	
627	956-816	DOVETAIL BIT (TCT) D8X15	1	
628	956-815	DOVETAIL BIT (TCT) D6X12	1	
629	956-928Z	CHUCK SLEEVE 1/2"X3/8"	1	
630	956-931Z	CHUCK SLEEVE 1/2"X10"	1	
631	956-759	CHUCK SLEEVE 1/2"X8"	1	

