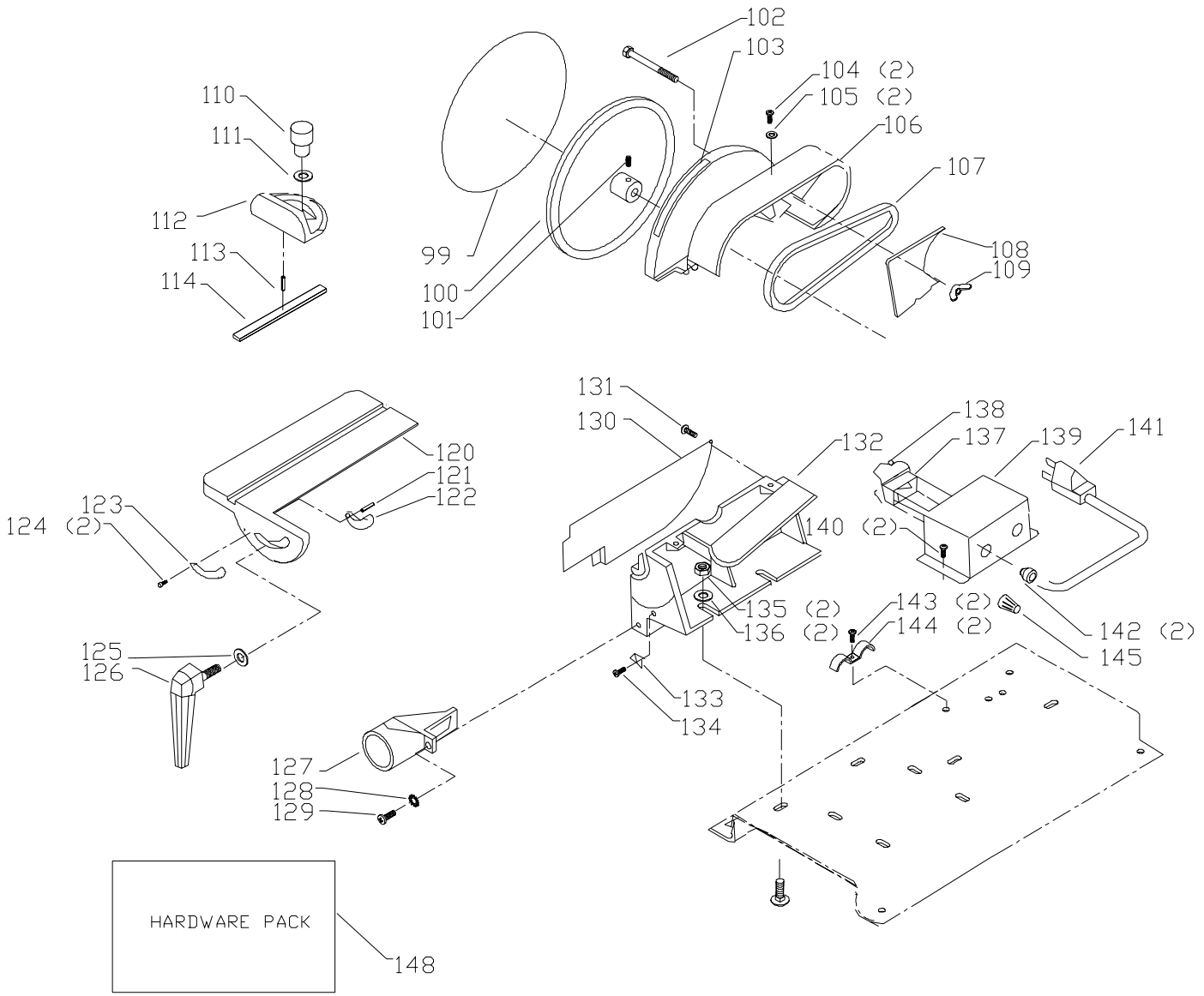


REPLACEMENT PARTS

| Ref. | | | Ref. | | |
|------------|-----------------|-----------------------------|------------|-----------------|------------------------------|
| <u>No.</u> | <u>Part No.</u> | <u>Description</u> | <u>No.</u> | <u>Part No.</u> | <u>Description</u> |
| 1 | 1246096 | M10 X 40MM HEX SOC HD SCREW | 39 | 1345979 | M6 X 45MM HEX SOC SET SCREW |
| 2 | 1341945 | 12MM FLAT WASHER | 40 | 902743 | ROTATION LABEL |
| 3 | 1342574 | SPRING | 41 | 902357 | KNOB |
| 4 | 1342575 | SPACER | 42 | 902741 | WARNING LABEL |
| 5 | 902359 | TRACKING ADJ SCREW | 43 | 902933 | COVER |
| 6 | 1342572 | SPRING | 44 | 905734 | NAMEPLATE |
| 7 | 1342576 | SUPPORT | 45 | 1342564 | TABLE |
| 8 | 1246184 | M3 X 20MM SPRING PIN | 46 | 1344042 | M5 X 20MM HEX SOC SET SCREW |
| 9 | 1342571 | IDLER SHAFT | 47 | 902852 | CLAMP ASSY |
| 10 | 1342577 | IDLER SHAFT | 48 | 1342612 | SPECIAL WASHER |
| 11 | 1246159 | M5 X 5MM HEX SOC SET SCREW | 49 | 1342562 | BRACKET |
| 12 | 1246008 | M5 X 12MM HEX SOC SET SCREW | 50 | 1243526 | 8.4MM FLAT WASHER |
| 13 | 1342581 | DRIVE PULLEY | 51 | 1246157 | 8.1MM LOCK WASHER |
| 14 | 1342580 | RETAINING PLATE | 52 | 1310105 | M8 X 15MM HEX HD SCREW |
| 15 | 1341235 | M4 X 12MM CHEESE HD SCREW | 53 | 1246008 | M5 X 12MM HEX SOC SET SCREW |
| 16 | 1243525 | 4.1MM LOCK WASHER | 54 | 1342589 | DRIVE PULLEY |
| 17 | 920-04-010-7272 | BALL BEARING | 55 | 1342588 | KEY |
| 18 | 1342579 | KEY | 56 | 1342608 | MOTOR |
| 19 | 1342578 | MAIN DRIVE SHAFT | 57 | 1243496 | M10 HEX NUT |
| 20 | 422-31-139-0002 | BALL BEARING | 58 | 1243360 | 10MM LOCK WASHER |
| 21 | 1342614 | FRAME | 59 | 1243502 | 10MM FLAT WASHER |
| 22 | 920-04-010-7272 | BALL BEARING | 60 | 1342603 | M10 X 20MM CARRIAGE HD SCREW |
| 23 | 1342570 | IDLER | 61 | n 904494 | BASE |
| 24 | 1246140 | 6.4MM FLAT WASHER | 62 | 1313227 | M4 X 12MM PAN HD SCREW |
| 25 | 1243520 | 6MM LOCK WASHER | 63 | 1310210 | 4MM LOCK WASHER |
| 26 | 1243379 | M6 X 10MM HEX SOC HD SCREW | 64 | 1246034 | M8 X 20MM HEX HD SCREW |
| 27 | 1246100 | M10 X 20MM HEX SOC HD SCREW | 65 | 1246157 | 8.1MM LOCK WASHER |
| 28 | 1243360 | 10MM LOCK WASHER | 66 | 1243526 | 8.4MM FLAT WASHER |
| 29 | 1243502 | 10MM FLAT WASHER | 67 | 1342605 | RUBBER FOOT |
| 30 | 1342568 | PLATEN | 68 | 1243526 | 8.4MM FLAT WASHER |
| 31 | 1342567 | SPECIAL NUT | 69 | 1243398 | M8 HEX NUT |
| 32 | 920-04-010-7272 | BALL BEARING | 70 | 1243502 | 10MM FLAT WASHER |
| 33 | 1342570 | IDLER | 71 | 1243360 | 10MM LOCK WASHER |
| 34 | 1342566 | RETAINING RING | 72 | 1246100 | M10 X 20MM HEX SOC HD SCREW |
| 35 | 1246158 | M5 X 16MM HEX SOC SET SCREW | 80 | 428-06-101-0003 | 2.5MM ALLEN WRENCH |
| 36 | 1342609 | DRIVE WHEEL | 81 | 422-30-101-0002 | 8MM ALLEN WRENCH |
| 37 | OPTIONAL | SANDING BELT | | | |
| 38 | 1243456 | M6 HEX NUT | | | |



REPLACEMENT PARTS

| Ref. | <u>No.</u> | <u>Part No.</u> | <u>Description</u> |
|------|------------|-----------------|--------------------------------|
| | 99 | OPTIONAL | SANDING DISK |
| | 100 | 1342583 | DISK PLATE |
| | 101 | 1246159 | M5 X 5MM HEX SOC SET SCREW |
| | 102 | 1342582 | M4 X 45MM CHEESE HD SCREW |
| | 103 | 902743 | ROTATION LABEL |
| | 104 | 1243501 | M4 X 10MM CHEESE HD SCREW |
| | 105 | 904-01-010-1602 | 3/16" FLAT WASHER |
| | 106 | 1342584 | PULLEY COVER |
| | 107 | 1342585 | V BELT |
| | 108 | 1342586 | COVER |
| | 109 | 1342587 | M4 WING NUT |
| | * | 1342598 | MITER GAGE ASSEMBLY, CONST OF: |
| | 110 | 1342601 | HAND KNOB |
| | 111 | 904-01-010-1614 | 1/4" FLAT WASHER |
| | 112 | 1342600 | MITER GAGE BODY |
| | 113 | 1342607 | M4 X 10MM DOWEL PIN |
| | 114 | 1342599 | GUIDE BAR |
| | 120 | 1342592 | TABLE |
| | 121 | 1342593 | M4 X 10MM SPRING PIN |
| | 122 | 1342594 | GUIDE |
| | 123 | 1342595 | SCALE |
| | 124 | 1087794 | RIVIT |
| | 125 | 1243502 | 10MM FLAT WASHER |
| | 126 | 902852 | CLAMP ASSY |
| | 127 | 1342597 | DUST CHUTE |
| | 128 | 1246067 | M6 X 15MM CHEESE HD SCREW |
| | 129 | 1313361 | 6.4MM EXT TOOTH WASHER |
| | 130 | 902851 | SIDE GUARD |
| | 131 | 1310159 | M4 X 6MM PAN HD SCREW |
| | 132 | 902933 | SUPPORT |
| | 133 | 1342596 | POINTER |
| | 134 | 1243501 | M4 X 10MM CHEESE HD SCREW |
| | 135 | 1243496 | M10 HEX NUT |
| | 136 | 1243502 | 10MM FLAT WASHER |
| | 137 | 1343759 | SWITCH, INCL: |
| | 138 | 400-06-068-000: | SWITCH KEY |
| | 139 | 1342606 | SWITCH COVER |
| | 140 | 1313227 | M4 X 12MM PAN HD SCREW |
| | 141 | 1345225 | POWER CORD |
| | 142 | 438-01-004-0062 | HEYCO BUSHING 5/8" |
| | 143 | 1313227 | M4 X 12MM PAN HD SCREW |
| | 144 | 1340719 | CLAMP |
| | 145 | 1320175 | CONNECTOR |
| | 146 | 1342602 | M10 X 25MM CARRIAGE HD SCREW |
| | 147 | 1342604 | BASE |
| | 148 | 902354 | HARDWARE PACK |
| | * | | NOT SHOWN ASSEMBLED |

STANDARD SAFETY EQUIPMENT

In order to promote tool safety, Delta Machinery strictly enforces the policy of repairing or replacing any damaged or missing standard safety equipment on machines presented to Delta Authorized Service Centers for service/repairs. Any product that is presented to a Delta Authorized Service Centers for repairs which contains missing or damaged standard safety equipment will have that equipment repaired or replaced and the customer will be charged for any such service/repairs. Customers can avoid such charges only if the missing safety component is supplied to the service center at the time of repair.

This parts list is provided to aid in obtaining service parts. Copies of the instruction and maintenance literature can be obtained through the Delta Technical Publications Department or through your service outlet.