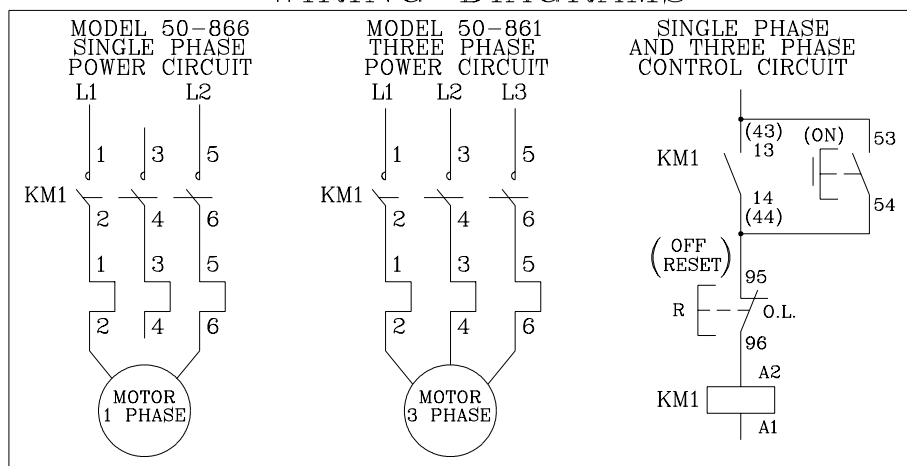


REPLACEMENT PARTS

Ref. No.	Part No.	Description	Ref. No.	Part No.	Description
1	901-01-060-0607	5/16-18 X 3/4" HEX HD SCREW	33	902-01-010-1300	5/16-18 HEX NUT
2	1343390	5/16" LOCK WASHER	34	1343390	5/16" LOCK WASHER
3	1342841	SPECIAL WASHER	35	901-01-060-0607	5/16-18 X 3/4" HEX HD SCREW
4	902245	HANGER, T2	36	902-01-010-1300	5/16-18 HEX NUT
	1342842	HANGER, T1	37	1343390	5/16" LOCK WASHER
5	50-826	UPPER DUST BAG	38	904-01-010-1604	5/16" FLAT WASHER
6	902242	UPPER HANGER SUPPORT, T2	39A	1342850	MOTOR (1PH, 5HP)
	1342843	UPPER HANGER SUPPORT, T1	39B	1342851	MOTOR (3PH, 5HP)
7	902243	LOWER HANGER SUPPORT, T2	40	902-01-100-1028	1/2-13 HEX NUT
	1342844	LOWER HANGER SUPPORT, T1	41	904-02-020-1705	1/2" LOCK WASHER
8	902237	SPECIAL WASHER, T2	42	902235	HOUSING, INCL., T2
	1342841	SPECIAL WASHER, T1		1342852	HOUSING, INCL., T1
9	902239	DRUM, T2	43	902821	NAMEPLATE, T2
	1342889	DRUM, T1		1342464	NAMEPLATE, T1
10	901-01-060-0607	5/16-18 X 3/4" HEX HD SCREW	44	902781	WARNING LABEL, T2
11	1343390	5/16" LOCK WASHER		1342461	WARNING LABEL, T1
12	1342890	GASKET	45	1342853	IMPELLER
13	1343390	5/16" LOCK WASHER	46	1342854	SPECIAL WASHER
14	901-01-060-0607	5/16-18 X 3/4" HEX HD SCREW	47	1342855	SPECIAL NUT
15	1342922	5/16-18 LOCK NUT	48	1087576	#08 X 1/2" PAN HD SCREW
16	1343390	5/16" LOCK WASHER	49	902236	MOUNTING RING, T2
17	904-01-010-1604	5/16" FLAT WASHER		1342856	MOUNTING RING, T1
18	901-01-060-0606	5/16-18 X 5/8" HEX HD SCREW	50	902240	DUST INTAKE PORT, INCL., T2
19	902244	DRUM SUPPORT, T2		1342857	DUST INTAKE PORT, INCL., T1
	1342899	DRUM SUPPORT, T1	51	902713	WARNING LABEL, T2
20	1342845	BANDCLAMP		1348230	WARNING LABEL, T1
21	901-01-060-0606	5/16-18 X 5/8" HEX HD SCREW	52	1349488	(DIN 7981B) M2.9 X 16MM PAN HD SCREW
22	1343390	5/16" LOCK WASHER	53	1342858	DUST CAP
23	50-827	LOWER DUST BAG	54A	1342859	CONTACTOR ASSY (1PH, INCL.:
24	902232	BASE, T2	54B	1342870	CONTACTOR ASSY (3PH, 200-230V), INCL.:
	1342846	BASE, T1	54C	1342900	CONTACTOR ASSY (3PH, 460V), INCL.:
25	902233	HOUSING SUPPORT, T2	55	902823	NAMEPLATE, T2
	1342847	HOUSING SUPPORT, T1		1342465	NAMEPLATE, T1
26	904-01-010-1604	5/16" FLAT WASHER	56	903596	SCREW
27	1343390	5/16" LOCK WASHER	57	903597	RETAINING CLIP
28	901-01-060-0606	5/16-18 X 5/8" HEX HD SCREW	58	n 1350284	1/4" HEX NUT
29	1342848	CASTER	59	n 1350293	1/4" LOCK WASHER
30	902234	SUPPORT BAR, T2			
30	1342849	SUPPORT BAR, T1			
31	901-01-060-0607	5/16-18 X 3/4" HEX HD SCREW			
32	1343390	5/16" LOCK WASHER			

WIRING DIAGRAMS



STANDARD SAFETY EQUIPMENT

In order to promote tool safety, Delta Machinery strictly enforces the policy of repairing or replacing any damaged or missing standard safety equipment on machines presented to Delta Authorized Service Centers for service/repairs. Any product that is presented to a Delta Authorized Service Centers for repairs which contains missing or damaged standard safety equipment will have that equipment repaired or replaced and the customer will be charged for any such service/repairs. Customers can avoid such charges only if the missing safety component is supplied to the service center at the time of repair.

This parts list is provided to aid in obtaining service parts. Copies of the instruction and maintenance literature can be obtained through the Delta Technical Publications Department or through your service outlet.