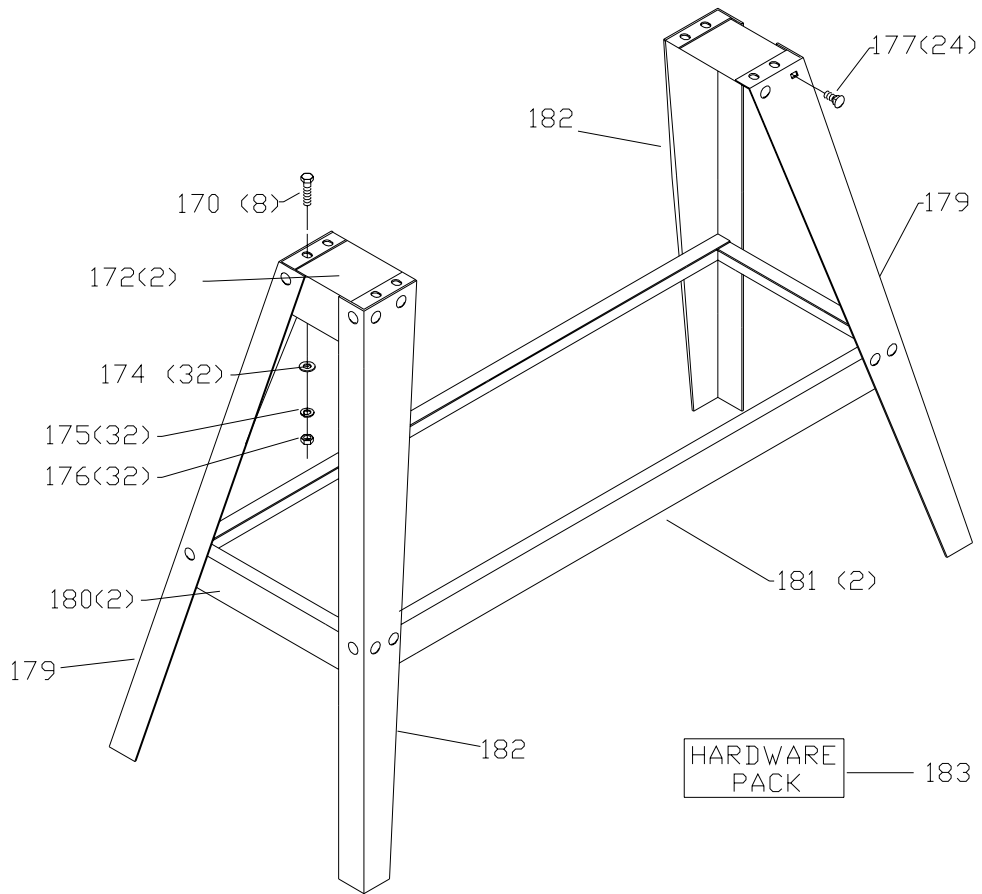


REPLACEMENT PARTS

Ref.	No.	Part No.	Description	Ref.	No.	Part No.	Description
	1	1342455	PAN HD SCREW		80	901781	BOLT
	2	1320101	EXT TOOTH WASHER		81	901785	BALL 14MM
	3	901741	MOTOR COVER		82	901786	SPRING
	4	901734	EXT RETAINING RING		83	901783	LOCK PLATE
	5	1243321	HEX SOC SET SCREW		84	901784	FLAT WASHER M16
	6	n 909945	PULLEY SET		85	1313165	LOCK NUT
	8	901737	SPRING		86	1330261	SPRING PIN
	9	901738	SPRING BUSHING		95	1246045	CHEESE HD SCREW
	10	901739	KEY 4X4X90MM		96	901790	STOP PLATE
	11	901740	MOTOR		97	901780	BED
	11A	903260	MOTOR PLATE		*	903735	TOOL REST ASSEMBLY, INCL.: REF. 100 THRU 116
	12	1243360	LOCK WASHER		100	901778	BOLT EYE
	13	1243561	HEX SOC HD SCREW		101	901779	LOCK PLATE
	14	901782	EXT RETAINING RING		102	1313165	LOCK NUT
	15	n 909946	PULLEY SET		103	901761	EXT RETAINING RING
	16	1246161	HEX SOC SET SCREW		104	901763	TOOL REST BASE
	17	901731	V-BELT		105	901764	ECCENTRIC SHAFT
	18	901722	SLEEVE BUSHING		106	901759	SLEEVE
	20	901766	EXT RETAINING RING		107	903739	HANDLE ASSEMBLY, INCL.: REF. 112 THRU 116
	21	901770	EXT RETAINING RING		108	901758	TOOL REST BRACKET
	22	901729	BALL BEARING		110	901756	TOOL REST
	23	1246081	SPRING PIN		112	n 1343642	M6 X 1.0 NUT
	24	901728	YOKE		113	n 1246140	M6.4 WASHER
	25	901727	SPLINE		114	n 901757	SPRING
	26	901765	FOLLOWER		115	n 901760	HANDLE
	27	n 1340945	CENTER POINT		116	n 901726	STUD
	28	1340946	DRIVE CENTER, INCL.: REF. 27		120	901771	HANDLE
	29	901793	FACE PLATE		121	901772	HANDLE WHEEL
	30	901719	SPINDLE		122	1342125	HEX SOC HD SCREW
	31	901720	KEY 4X4X80MM		123	1246053	HEX SOC HD SCREW
	32	901721	BALL BEARING		124	1344933	HEX SOC HD SCREW
	33	901724	WAVE WASHER		125	903750	HANDLE WHEEL PLATE
	34	901725	INT RETAINING RING		126	901773	TAIL STOCK
	35	901733	EXT RETAINING RING		127	903738	HANDLE ASSY, INCL.: REF. 112,113,114,115, & 128
	36	901723	RUBBER PAD		128	n 901762	STUD
	37	901742	HEADSTOCK		129	901768	EXT RETAINING RING 19
	38	901743	GEAR SHAFT		130	1243303	HEX SOC SET SCREW
	39	901744	RETAINING RING		131	901767	ECCENTRIC SHAFT
	40	901745	SPEED INDICATOR PLATE		132	901774	SPINDLE SCREW
	41	1344950	FLAT HD SCREW		133	901775	QUILL
	42	1246110	SPRING PIN		134	1342071	LIVE CENTER, INCL.: REF. 27
	43	901752	VARIABLE SPEED HANDLE		135	901776	SPECIAL BOLT
	44	901751	LOCK PLATE		136	903262	QUILL SCALE
	45	901750	SPRING		149	900924	WARNING LABEL ENG & SPAN
	46	901749	BUTTON		151	903254	VS LABEL
	47	901747	PIN SPRING 2.5 X 16MM		153	903256	NAME PLATE
	48	1310159	PAN HD SCREW		157A	1310016	DRIVE SCREW
	49	901748	SUIT TUBE		162	901791	KNOCKOUT BAR
	50	901746	RUBBER SLEEVE COVER		163	901792	SPINDLE WRENCH
	51	901798	HAND WHEEL		165	900924	WARNING LABEL
	52	901787	SCREW HEX SOC HD M6X108				
	53	903751	INDEXING ASSEMBLY	*			NOT SHOWN ASSEMBLED
	58	901753	LOCK PLATE				
	59	901754	LOCK SHAFT				
	60	901755	LOCK KNOB M10X32MM				
	62	1343533	LOCK WASHER				
	63	901809	WIRE CLIP				
	64	901808	WIRE SLEEVE				
	65	1243398	HEX NUT				
	66	1310216	EXT TOOTH WASHER				
	67	901799	SWITCH SUPPORT BRACKET				
	68	1347781	HEX HD SCREW				
	*	903737	SWITCH ASSEMBLY, INCL.: REF. 69 THRU 79				
	69	901769	BACK SWITCH BOX				
	70	1342455	PAN HD SCREW				
	71	901804	EXT RETAINING RING 5				
	72	901806	SCREW TAP. M4.2 X 16MM				
	73	901805	SCREW TAP. M4.2 X 12MM				
	74	901803	WIRING PLATE				
	75	901802	FRONT SWITCH BOX				
	76	1246016	HEX HD SCREW				
	77	901800	SWITCH GUARD				
	78	901801	SWITCH				
	79	901811	POWER CORD				



Ref.

No.	Part No.	Description
170	1246093	SCREW-HEX HD
172	901813	BED MOUNTING PLATE
174	1243526	FLAT WASHER
175	1246157	LOCK WASHER
176	1243398	HEX NUT
177	1349177	CARRIAGE HD SCREW
179	901812	LEG
180	901814	SHORT BRACKET
181	901816	LONG BRACKET
182	903746	LEG
183	n 903745	STAND HARDWARE PACK

STANDARD SAFETY EQUIPMENT

In order to promote tool safety, Delta Machinery strictly enforces the policy of repairing or replacing any damaged or missing standard safety equipment on machines presented to Delta Authorized Service Centers for service/repairs. Any product that is presented to a Delta Authorized Service Centers for repairs which contains missing or damaged standard safety equipment will have that equipment repaired or replaced and the customer will be charged for any such service/repairs. Customers can avoid such charges only if the missing safety component is supplied to the service center at the time of repair.

This parts list is provided to aid in obtaining service parts. Copies of the instruction and maintenance literature can be obtained through the Delta Technical Publications Department or through your service outlet.