

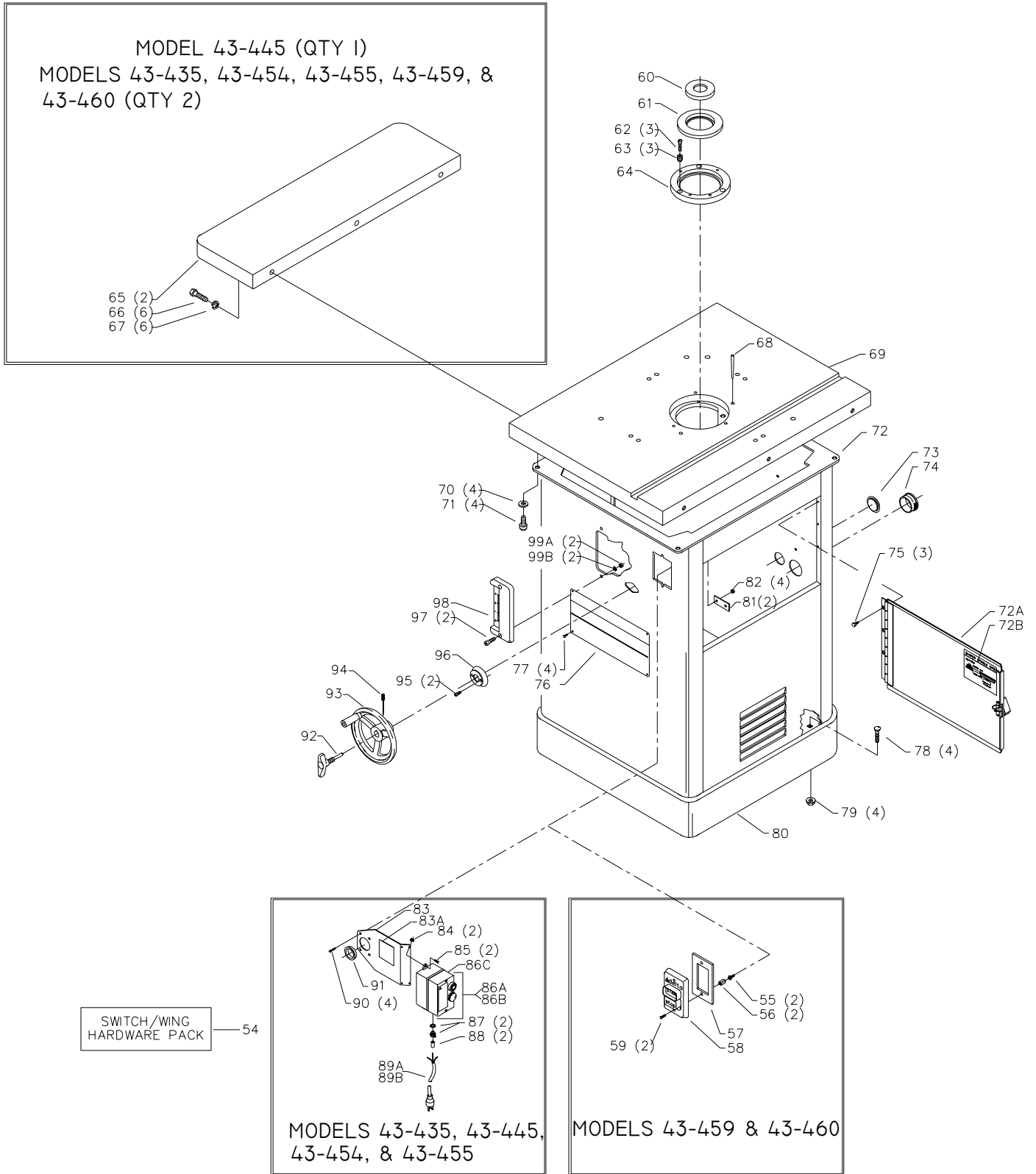


**2 - SPEED HEAVY DUTY WOOD SHAPER**  
**MODELS 43-435, 43-445, 43-454, 43-455,**  
**43-459, 43-460**

**WS-2D-1**

PART NO. 432-02-651-0040

Dated: 09-17-03

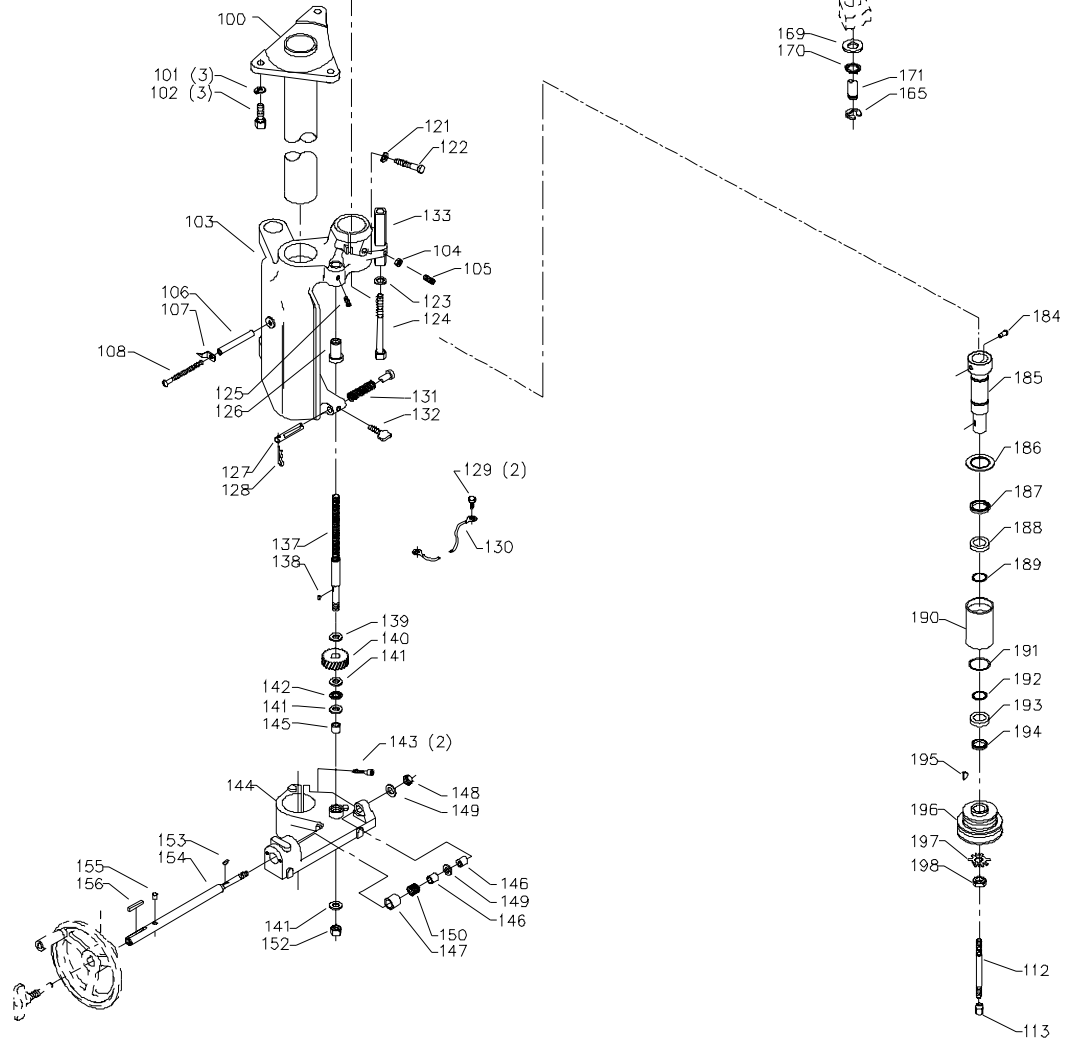
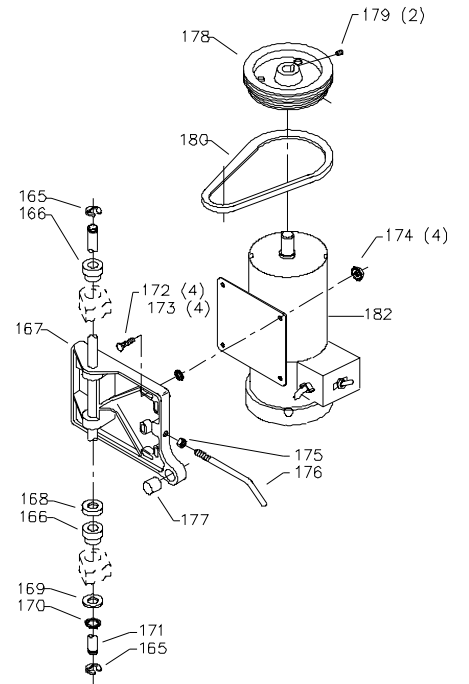
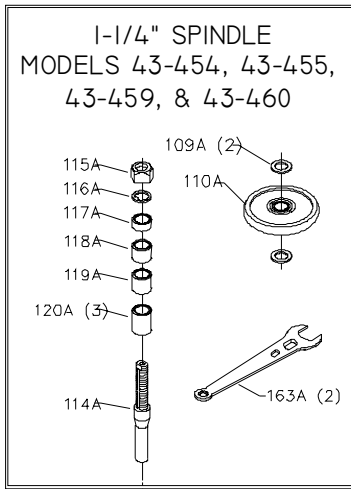
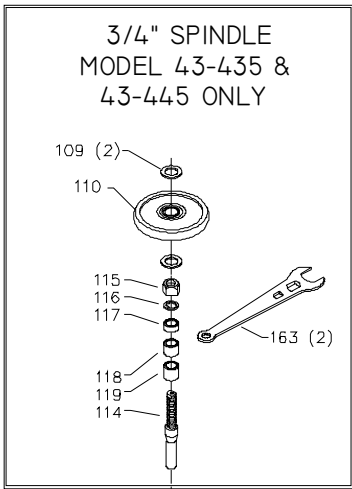


# REPLACEMENT PARTS

Ref.	No.	Part No.	Description	Ref.	No.	Part No.	Description
	54	432-02-628-0003	SWITCH/WING HARDWARE PACK, 43-435, 43-445, & 43-455		77	1087794	RIVET
	55	402-07-111-5002	STUD		78	901-11-020-0834	5/16-18 X 3/4" CARRIAGE HD SCR
	56	402-07-104-5007	SPACER		79	902-01-503-1514	5/16-18 FLANGE NUT
	57	422-04-116-0001	GASKET		80	422-04-305-0001	SUB BASE
	58	438-01-017-0101	MAGNETIC SWITCH		81	432-02-072-0002	SWITCH RETAINER PLATE
	59	901-02-010-0567	#06-32 X 1/4" ROUND HD SCR		82	902-01-133-1529	1/4-20 FLANGE NUT
	60	432-02-063-0004	TABLE INSERT - SMALL		83	432-02-014-0017	STARTER BRACKET (SEE NOTE A)
	61	432-02-063-0002	TABLE INSERT - INTERMEDIATE			432-02-014-0010	STARTER BRACKET (SEE NOTE B)
	62	901-02-050-0725	1/4-20 X 1" FILL HD SCR		83A	422-04-752-0185	LABEL (SEE NOTE A)
	63	432-02-112-0002	INSERT SCR		84	902-01-293-1513	#10-32 KEPS NUT
	64	432-02-063-0003	TABLE INSERT ASSY - OUTER		85	901-02-453-1123	#10-32 X 1/2" PAN HD SCR
	65	36-937	EXTENSION WING, INCL:		86A	438-01-016-0199	STARTER, GPE. 1HP, 200-230V, 3HP, INCL.
	66	901-01-060-0664	7/16-20 X1" HEX HD SCR		86B	n 438-01-016-0204	STARTER, GPE. 1HP,230V, 5HP, INCL.:
	67	904-10-031-2097	WASHER		86C	438-01-016-0200	COVER
	68	905-03-013-1493	2-1/2" TAPER PIN		87	438-01-004-0007	CORD CLAMP
	69	432-02-391-0005	TABLE		88	438-01-011-0054	INSULATOR SLEEVE
	70	904-10-031-2097	WASHER		89A	438-01-302-2013	POWER CORD, 230V, 3HP
	71	901-03-010-1487	7/16-20 X3/4" HEX SOC HD SCR		89B	438-01-302-2004	POWER CORD, 230V, 5HP
	72	n 432-02-318-0021	CABINET ASSY. (SEE NOTE C), INCL.:		90	901-02-403-1131	1/4-20 X7/8" TRUSS HD SCR
		432-02-318-0012	CABINET ASSY. (SEE NOTE D), INCL.:		91	438-01-011-0020	INSULATOR
	72A	432-02-331-0013	DOOR ASSY (SEE NOTE A), INCL.:		92	422-04-412-0009	LOCK KNOB
		432-02-331-0011	DOOR ASSY (SEE NOTE B), INCL.:		93	422-04-400-0005	HANDWHEEL, INCL.:
	72B	432-02-754-0006	SPEED CHART		94	901-04-190-0201	5/16-18 X 5/16" HEX SOC SET SCR
	73	438-01-011-0065	PLUG		95	901-03-010-3318	#10-32 X 3/8" HEX SOC HD SCR
	74	438-01-011-0020	INSULATOR		96	432-02-031-5002	COVER
	75	901-05-213-1498	#10 X 1/2" HEX WASHER HD SCR		97	901-03-010-3345	1/4-20 X 1" HEX SOC HD SCR
	76	n 432-02-137-0011	NAMEPLATE (SEE NOTE C)		98	432-02-014-0001	BRACKET W/SCALE
		432-02-137-0006	NAMEPLATE (SEE NOTE A)		99A	902-01-120-1034	1/4-20 HEX NUT
		432-02-137-0005	NAMEPLATE (SEE NOTE B)		99B	904-03-030-1757	1/4" EXT TOOTH WASHER

## SERVICE NOTE:

- A – Serial Numbers Beginning with 01H and Above
- B – Serial Numbers Beginning with 01G and Below
- C – Serial Numbers Beginning with 01J and Above
- D – Serial Numbers Beginning with 01I and Below

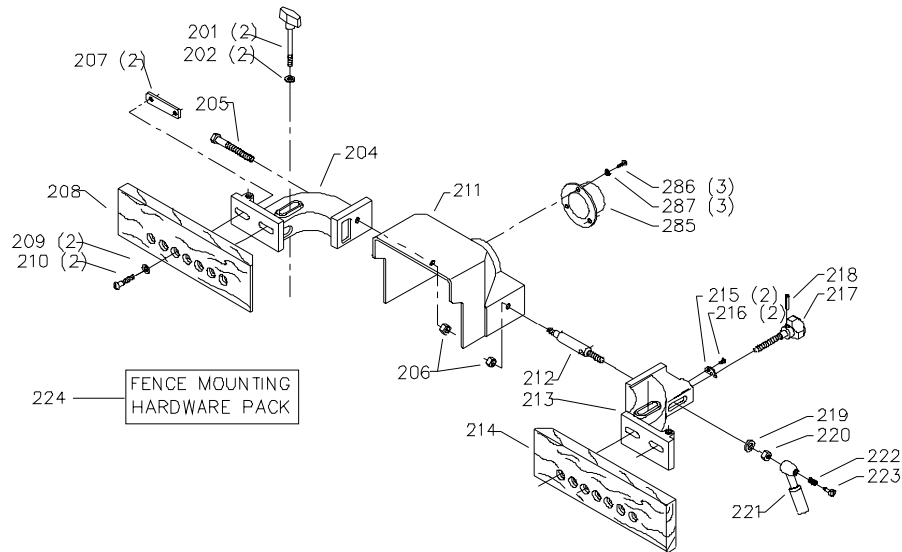


# REPLACEMENT PARTS

Ref.	Part No.	Description	Ref.	Part No.	Description
100	432-02-403-0002	FLANGE ASSY	148	902-01-213-1635	3/8-16 LOCK NUT
101	904-02-020-1705	1/2" LOCK WASHER	149	920-76-033-1391	SPECIAL WASHER
102	901-01-060-0672	1/2-20 X 1 1/4" HEX HD SCR	150	432-02-051-0001	SPIRAL GEAR
103	432-02-012-0007	SPINDLE HOUSING ASSY, INCL.:	152	902-01-281-7295	1/4-20 HEX NUT
104	902-01-010-1300	5/16-18 HEX NUT	153	927-01-010-2631	KEY
105	901-04-193-1403	5/16-18 X 1" HEX SOC SET SCREW	154	432-02-106-0002	HORIZONTAL RAISING SCR
106	432-02-104-5001	SPACER	155	422-04-074-0001	PLUG
107	422-04-075-5001	POINTER	156	927-03-010-2650	1-3/8" KEY
108	901-02-013-1813	5/16-18 X 3 1/2" ROUND HD SCR	163	955-01-050-1467	WRENCH, (FOR 3/4" SPINDLE)
109	432-02-104-0006	SPACER (FOR 3/4" SPINDLES ONLY)	163A	434-10-101-0001	WRENCH, (FOR 1 1/4" SPINDLE)
109A	432-02-104-0007	SPACER (FOR 1 1/4" SPINDLES ONLY)	165	904-15-060-7443	EXT RET RING
110	43-440	4-1/2" SPINDLE GUARD	166	932-01-010-2860	BUSHING
		(FOR 1/2" & 3/4" SPINDLES ONLY)	167	432-02-005-0001	MOTOR PLATE
110A	43-442	6-1/2" SPINDLE GUARD	168	432-02-079-5001	RETAINER
		(FOR 1 1/4" SPINDLES ONLY)	169	904-01-010-1611	13/16" FLAT WASHER
112	432-02-112-0003	TIE ROD	170	928-07-010-7378	FINGER SPRING WASHER
113	902-01-201-2584	5/16-18 HEX NUT	171	432-02-106-0001	SHAFT
114	43-806	3/4" SPINDLE ASSY, INCL:	172	901-11-020-0830	5/16-18 X 1 1/4" CARRIAGE HD SCR
115	902-01-131-3082	.76-14 HEX NUT	173	904-03-030-1656	5/16" EXT TOOTH WASHER
116	904-05-010-6662	3/4" LOCK WASHER	174	902-01-503-1514	5/16-18 FLANGE NUT
117	904-10-031-4506	3/4" X 1/2" COLLAR	175	902-01-201-2579	7/16-14 HEX NUT
118	904-10-031-4507	3/4" X 3/4" COLLAR	176	432-02-067-0002	LEVER
119	904-10-031-4508	3/4" X 1" COLLAR	177	432-02-016-5001	BUMPER
114A	43-811	1-1/4" SPINDLE ASSY, INCL., REF. 163A	178	432-02-430-0003	MOTOR PULLEY ASSY, INCL:
115A	902-01-063-1835	1-1/4" HEX NUT	179	901-04-150-0206	5/16-18 X 5/16" HEX SOC SET SCR
116A	904-05-013-1834	SPECIAL WASHER	180	432-02-133-0001	POLY V-BELT
117A	432-02-105-0008	1-1/4" X 3/8" COLLAR	182	n 82-006	3HP 1PH 230V MOTOR, 43-435 & 43-445
118A	432-02-105-0007	1-1/4" X 1/2" COLLAR	n	438-02-314-6180	5HP 1PH 230V MOTOR, 43-454 & 43-455
119A	432-02-105-0009	1-1/4" X 5/8" COLLAR	n	86-005	5HP 3PH 200-230/460V MOTOR, 43-459 & 43-460
120A	432-02-105-0006	1-1/4" X 1" COLLAR			
121	904-02-020-1704	3/8" LOCK WASHER	*	432-02-385-0011	SPINDLE ASSY, CONST OF:
122	901-01-060-0646	3/8-16 X 2" HEX HD SCR (SEE NOTE A)	184	432-02-071-0003	DRIVE PIN
123	904-01-031-2905	FLAT WASHER	185	432-02-105-0003	FLANGE
124	901-01-060-0685	1/2-20 X 5" HEX HD SCR	186	432-02-103-0002	FLANGE
125	901-04-190-0201	5/16-18 X 5/16" HEX SOC SET SCR	187	432-02-079-0002	NUT
126	432-02-105-5002	RAISING NUT	188	920-04-033-1821	BALL BEARING
127	432-02-071-0001	PIN	189	904-15-013-1819	EXT RET RING
128	905-05-040-2106	1/8" X 1 1/4" COTTER PIN	190	432-02-077-0001	QUILL (SEE NOTE A)
129	901-03-010-3318	#10-32 X 3/8" HEX SOC HD SCR	191	904-04-013-1820	WAVE WASHER
130	438-01-320-0258	JUMPER WIRE	192	904-15-013-1819	EXT RET RING
131	432-02-122-0001	SPRING	193	920-04-033-1821	BALL BEARING
132	901-04-260-1528	5/16-18 X 1" THUMB SCR	194	432-02-104-0012	SPACER
133	432-02-110-5001	HEX GUIDE POST	195	927-01-100-2606	KEY
*	432-02-314-0010	ELEVATING B/GEAR ASSY, CONST OF:	196	432-02-130-0006	SPINDLE PULLEY
137	432-02-112-0001	VERTICAL RAISING SCR	197	432-02-079-0001	RETAINER
138	927-01-010-2633	WOODRUFF KEY	198	902-07-030-7171	.802-28 BEARING NUT
139	904-01-031-2905	FLAT WASHER			
140	432-02-051-0002	SPIRAL GEAR	*		NOT SHOWN ASSEMBLED
141	920-76-033-1392	THRUST BEARING			
142	920-45-013-1412	THRUST BEARING			
143	901-03-010-0760	1/4-20 X 1 1/4" HEX SOC HD SCR			
144	432-02-314-0009	BRACKET ASSY, INCL:			
145	920-75-013-1524	BEARING			
146	920-75-013-1523	BEARING			
147	920-75-011-2784	SLEEVE BEARING			

NOTE A: When replacing the QUILL (Ref. No. 190), the 3/8 – 16 X 2" HEX HD SCR (Ref no. 122) should be tightened 7 to 10 foot pounds.

43-830 SHAPER FENCE  
MODEL 43-445 ONLY



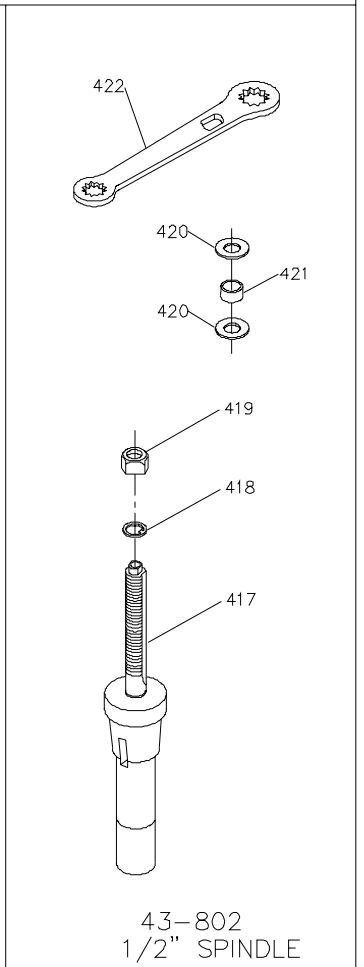
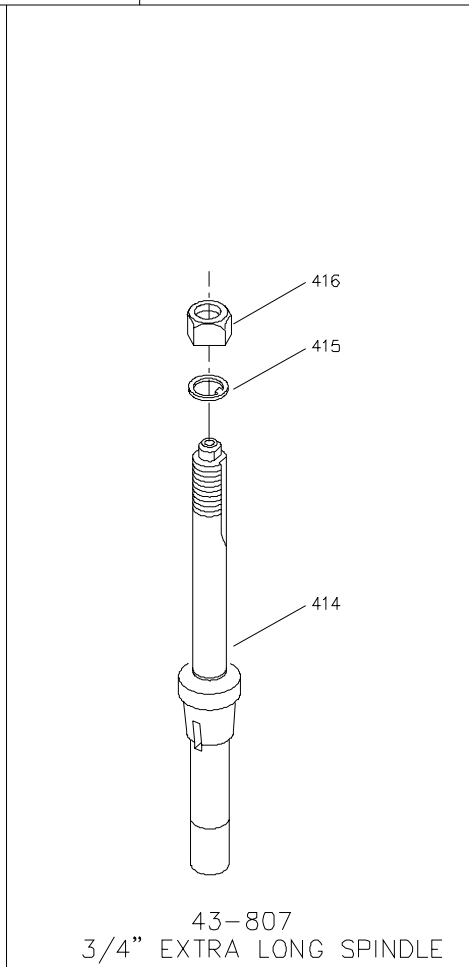
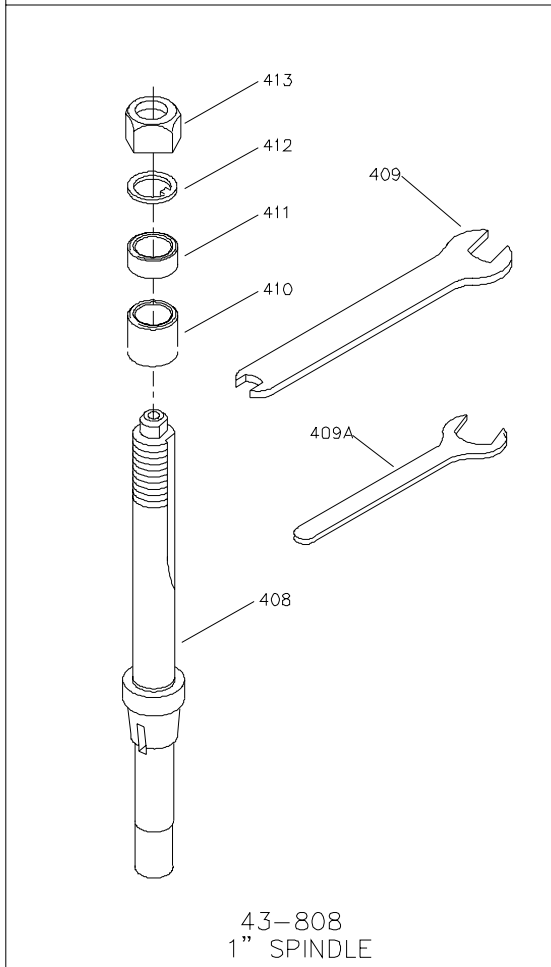
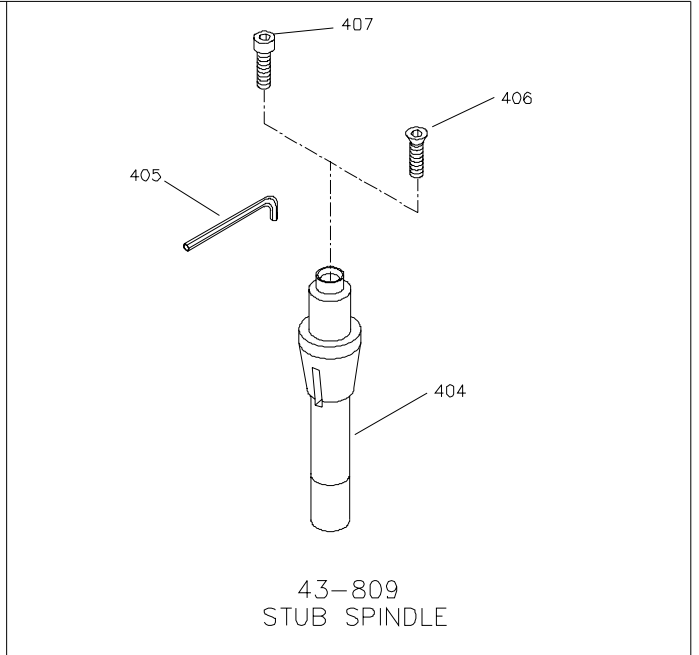
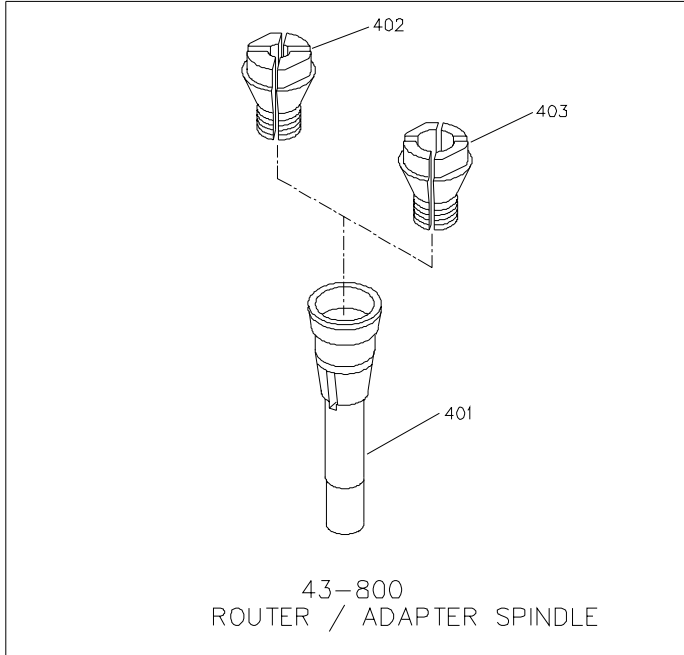
**Ref.**

<b>No.</b>	<b>Part No.</b>	<b>Description</b>
*	43-830	FENCE ASSY, CONST OF:
201	432-01-138-0002	FENCE CLAMP KNOB
202	904-01-031-2937	FLAT WASHER
204	432-01-089-0013	FENCE BODY, LH
205	901-01-060-0633	7/16-14 X 3 1/4" HEX HD SCR
206	902-01-201-2579	7/16-14 HEX NUT
207	432-01-004-0003	CLAMP PLATE
208	432-02-043-0004	FENCE, LH
209	904-01-010-1620	FLAT WASHER
210	901-02-010-0523	5/16-18 X 1 1/2" ROUND HD SCR
211	432-02-031-0001	COVER
212	432-02-111-0002	STUD
213	432-01-089-0012	FENCE BODY, RH
214	432-02-043-0003	FENCE, RH
215	432-01-047-0001	HALF COLLAR FLINGER
216	901-03-010-3318	#10-32 X 3/8" HEX SOC HD SCR
217	1087647	KNOB ASSY, INCL:
218	905-01-010-2706	3/16" X 1" SPRING PIN
219	904-10-031-2097	WASHER
220	902-01-201-2579	7/16-14 HEX NUT
221	406-03-033-0002	RATCHET HANDLE
222	406-03-122-0002	SPRING
223	406-03-112-0006	SPECIAL SCR
224	432-02-629-5007	FENCE MTG. HARDWARE PACK

**ACCESSORIES: (OPTIONAL)**

285	n 410-01-001-0014	VACUUM ADAPTER
286	901-02-010-0582	#10-32 X 5/8" ROUND HD SCR
287	904-01-010-1610	FLAT WASHER

SPINDLE  
HARDWARE PACK — 423



# REPLACEMENT PARTS

<u>Ref.</u>	<u>Part No.</u>	<u>Description</u>
401	43-800	ROUTER ADAPTER SPINDLE, INCL:
402	58939	1/4" COLLET (ORDER F/ PORTER CABLE)
403	18051	1/2" COLLET (ORDER F/ PORTER CABLE)
404	43-809	STUB SPINDLE, INCL:
405	955-03-010-0010	7/32" HEX WRENCH
406	901-03-100-6144	5/16-18 X 1 1/8" FLAT HD SCR
407	901-03-100-6139	5/16-18 X .86 HEX SOC HD SCR
408	43-808	1" SPINDLE, INCL:
409	955-01-040-1485	WRENCH
409A	404-01-101-5001	WRENCH
410	432-02-105-0001	1" COLLAR
411	432-02-105-0002	1/2" COLLAR
412	904-05-010-6674	SPECIAL KEYED WASHER
413	902-01-201-8553	1.00-14 HEX NUT
414	43-807	3/4" EXTRA LONG SPINDLE, INCL:
415	904-05-010-6662	3/4" LOCK WASHER
416	902-01-131-3082	.76-14 HEX NUT
417	43-802	1/2" SPINDLE, INCL:
418	904-05-010-1646	3/4" WASHER
419	902-01-201-2575	.50-16 HEX NUT
420	432-02-104-0008	SPACER
421	432-02-017-0004	BUSHING
422	955-01-020-0023	.567" X .88" BOX END WRENCH
423	432-02-629-0011	SPINDLE HDWE. PACK, 43-435 & 43-445
	432-02-629-0014	SPINDLE HDWE. PACK, 43-455 & 43-460

---

## STANDARD SAFETY EQUIPMENT

In order to promote tool safety, Delta Machinery strictly enforces the policy of repairing or replacing any damaged or missing standard safety equipment on machines presented to Delta Authorized Service Centers for service/repairs. Any product that is presented to a Delta Authorized Service Centers for repairs which contains missing or damaged standard safety equipment will have that equipment repaired or replaced and the customer will be charged for any such service/repairs. Customers can avoid such charges only if the missing safety component is supplied to the service center at the time of repair.

This parts list is provided to aid in obtaining service parts. Copies of the instruction and maintenance literature can be obtained through the Delta Technical Publications Department or through your service outlet.