

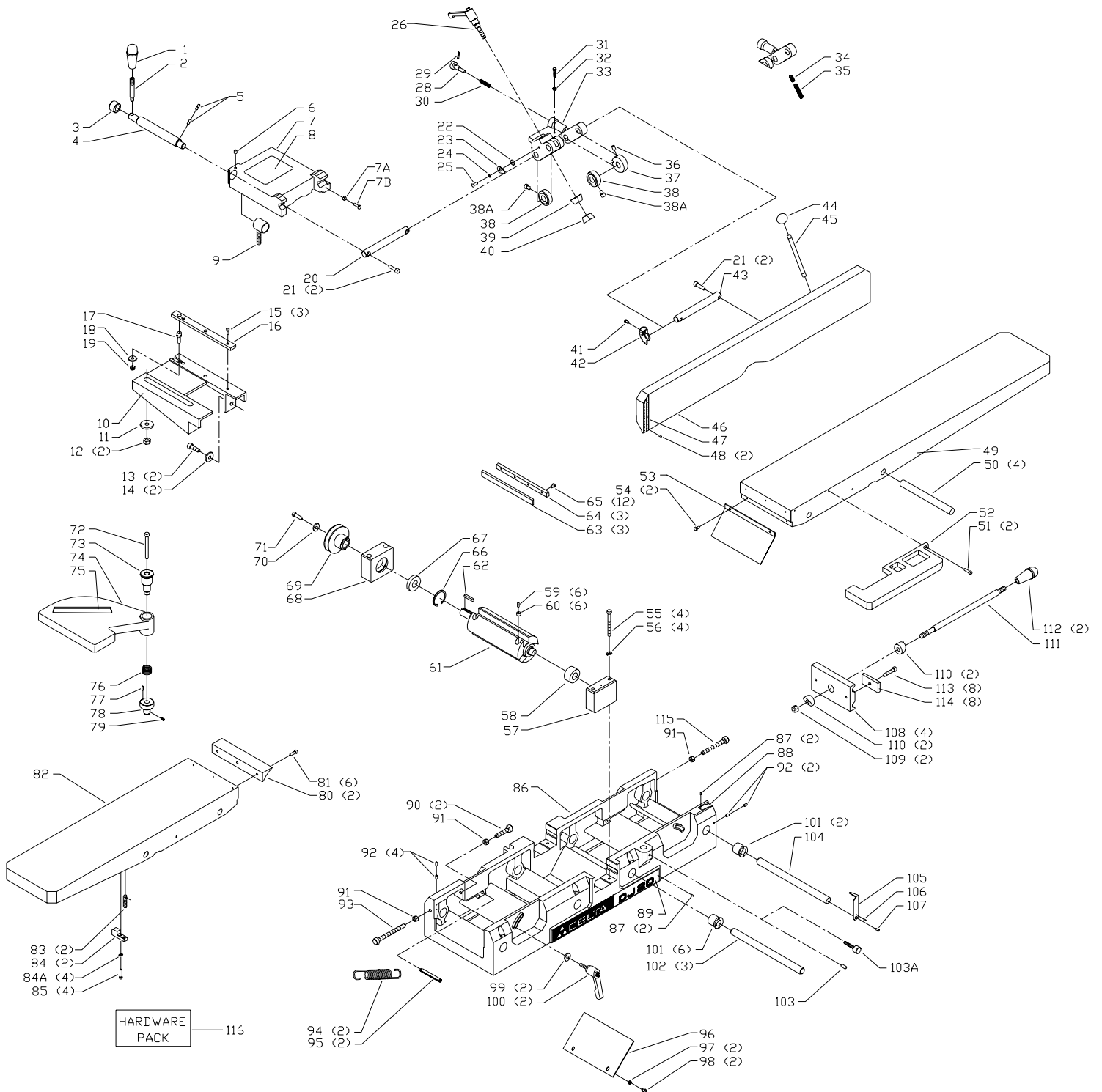


37-350 & 37-365X MODEL DJ-20 8" JOINTER

J-3C

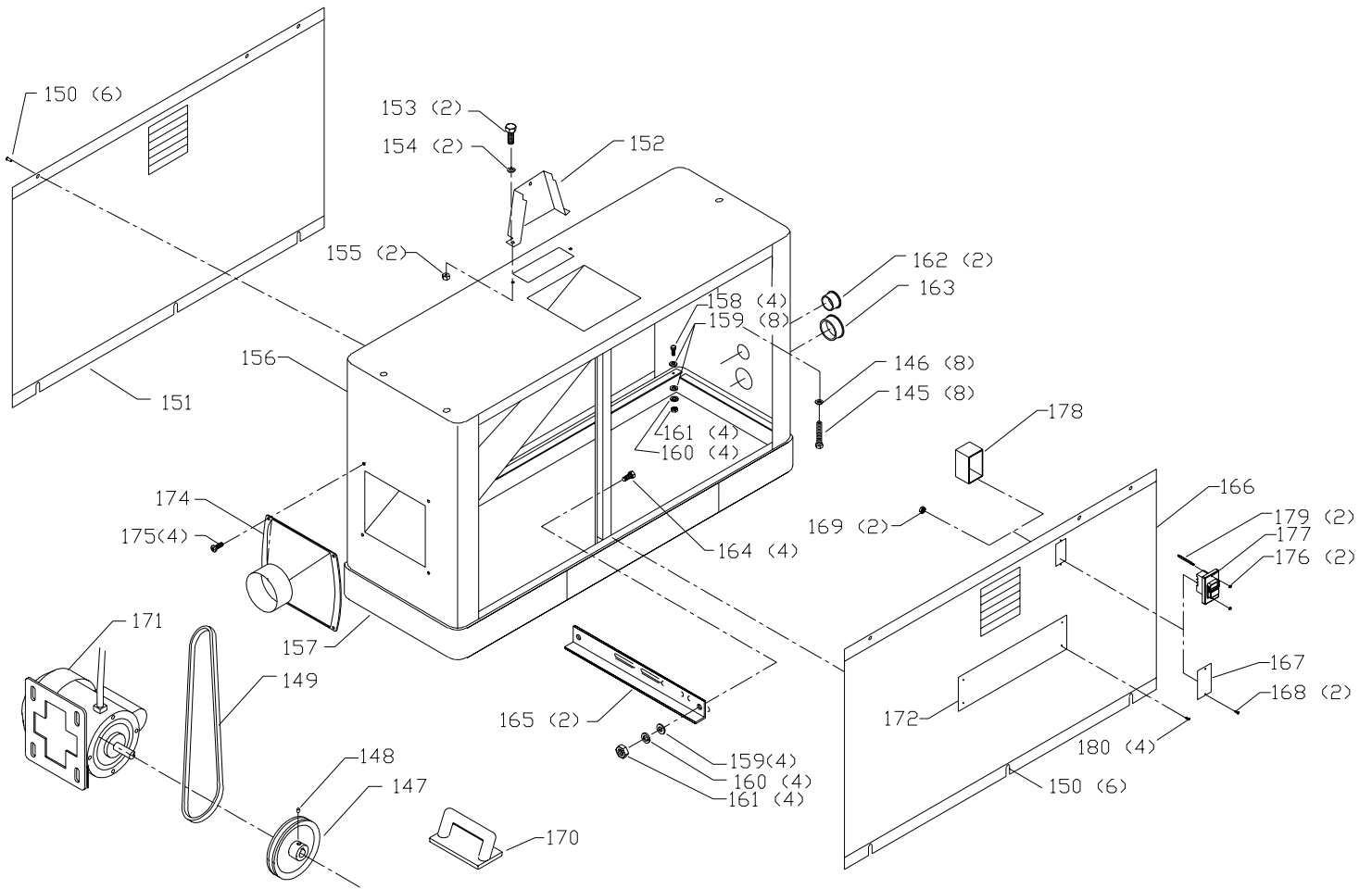
PARTS LIST NO. 909947

DATE: 07-08-03



REPLACEMENT PARTS

Ref.	Part No.	Description	Ref.	Part No.	Description
1	432-07-138-0005	KNOB, 37-350	63	37-355	KNIVES
	n 912059	KNOB, 37-365X	64	1330106	LOCK BAR
2	1330134	STUD	65	1330143	SPECIAL SCREW
3	1330108	BUSHING	66	1330146	INT RETAINING RING
4	1330120	SHAFT	67	422-29-017-0005	BEARING
5	1246038	M6 X 16MM HEX SOC SET SCREW	68	909963	BEARING BLOCK , 37-350 T2, 37-365X
6	1246009	M8 X 10MM HEX SOC SET SCREW		1330096	BEARING BLOCK , 37-350 T1
7	1330092	FENCE CARRIAGE, 37-350 T2, 37-365X	69	909968	CUTTERHEAD PULLEY, 37-350 T2, 37-365X
	1330092	FENCE CARRIAGE, 37-350 T1		1330099	CUTTERHEAD PULLEY, 37-350 T1
7A	1246015	M6 X 20MM HEX HD SCREW	70	428-07-104-0010	WASHER
7B	1243456	M6 HEX NUT	71	1246053	M8 X 25MM HEX SOC HD SCREW
8	1340104	WARNING LABEL	*	1330085	GUARD ASSY. CONST.OF:
9	1330109	COLLAR	72	1330145	M8 X 80MM HEX SOC HD SCREW
10	1330091	SUPPORT, 37-350 T2, 37-365X	73	1330104	GUARD CLAMP
	1330091	SUPPORT, 37-350 T1	74	1330098	GUARD
11	1330110	BUSHING	75	1349443	WARNING LABEL
12	1243476	M12 HEX NUT	76	418-10-122-0002	SPRING
13	1246074	M10 X 30MM HEX SOC HD SCREW	77	1246119	M3 X 16MM ROLL PIN
14	422-29-079-0015	WASHER	78	1330105	SUPPORT
15	1246098	M5 X 16MM HEX SOC HD SCREW	79	1243549	M6 X 12MM HEX SOC SET SCREW (EMO)
16	1330107	GIB	80	1330102	TABLE LIP
17	1330168	ECCENTRIC	81	1243336	M6 X 20MM HEX SOC HD SCREW
18	428-07-104-0010	WASHER	82	909969	OUTFEED TABLE, 37-350 T2, 37-365X
19	1243398	M8 HEX NUT		1330087	OUTFEED TABLE, 37-350 T1
20	1330124	SHAFT	83	1330142	SPRING PIN
21	1243530	M8 X 30MM HEX SOC HD SCREW	84	1330133	BUMPER
22	428-06-104-0008	WASHER	84A	1243520	M6.1 LOCK WASHER
23	1330130	POINTER	85	1246104	M6 X 25MM HEX SOC HD SCREW
24	1246140	6MM FLAT WASHER	86	909972	BASE ASSY.,INCL., 37-350 T2, 37-365X
25	1246130	M6 X 16MM CHEESE HD SCREW		1330197	BASE ASSY.,INCL., 37-350 T1
26	1349974	LOCK STUD	87	422-28-079-0015	RIVIT
28	1330135	INDEX PIN ASSY.,INCL:	88	1330128	SCALE
29	1246184	M3 X 20MM SPRING PIN	89	909974	NAMEPLATE, 37-350 T2, 37-365X
30	1330140	SPRING		1330196	NAMEPLATE, 37-350 T1
31	1246153	M6 X 25MM HEX HD SCREW	90	1330131	ADJUSTING SCREW
32	1243456	M6 HEX NUT	91	1243496	M10 HEX NUT
33	909960	SWIVEL, 37-350 T2, 37-365X	92	1243321	M6 X 10MM HEX SOC SET SCREW
	1330093	SWIVEL, 37-350 T1	93	1330132	ADJUSTING SCREW
34	1246009	M8 X 10MM HEX SOC SET SCREW (EMO)	94	1330384	SPRING
35	1246112	M8 X 35MM HEX SOC SET SCREW (EMO)	95	1330142	SPRING PIN
36	1330200	M8 X 12MM HEX SOC SET SCREW	96	909973	CHIPBREAKER, 37-350 T2, 37-365X
37	1330125	COLLAR		1330111	CHIPBREAKER, 37-350 T1
38	1330116	LOCK	97	1246140	6MM FLAT WASHER
38A	1246009	M8 X 10MM HEX SOC SET SCREW	98	1246013	M6 X 12MM HEX HD SCREW
39	1330117	CLAMP	99	428-07-104-0010	WASHER
40	1330118	THREADED CLAMP	100	1330136	KNOB
41	1246045	M6 X 10MM CHEESE HD SCREW	101	1330115	ECCENTRIC BUSHING
42	1330129	TILT SCALE	102	1330121	TABLE SHAFT
43	1330124	SHAFT	103	1246010	M8 X 16MM HEX SOC SET SCREW
44	428-07-067-0003	KNOB, 37-350	103A	1330137	KNOB (EARLY MODELS ONLY)
	n 910818	KNOB, 37-365X	104	1330122	TABLE SHAFT
45	432-07-111-0001	STUD	105	1330126	POINTER
46	909966	FENCE ASSY.,INCL., 37-350 T2, 37-365X	106	1246182	8MM ROLL PIN
	1330198	FENCE ASSY.,INCL., 37-350 T1	107	1246117	M4 X 10MM FLAT HD SCREW
47	1330148	SCALE	108	909970	PIVOT BRACKET, 37-350 T2, 37-365X
48	428-06-079-0001	RIVIT		1330089	PIVOT BRACKET, 37-350 T1
49	909965	INFEED TABLE, 37-350 T2, 37-365X		1243476	M12 HEX NUT
	1330088	INFEED TABLE, 37-350 T1	110	1330090	WASHER
50	1330123	SHAFT	111	1330113	LEVER
51	1243336	M6 X 20MM HEX SOC HD SCREW	112	432-07-138-0005	KNOB, 37-350
52	909967	RABBETING TABLE EXTENSION, 37-350 T2, 37-	n	912059	KNOB, 37-365X
	1330097	RABBETING TABLE EXTENSION, 37-350 T1		1330147	M8 X 40MM HEX SOC HD SCREW
53	909964	CHIP DEFLECTOR, 37-350 T2, 37-365X	114	1330114	CLAMP PLATE
	1330103	CHIP DEFLECTOR, 37-350 T1	115	418-10-112-0003	SCREW
54	1246013	M6 X 12MM HEX HD SCREW	116	HP37350	HARDWARE PACK
55	1330145	M8 X 80MM HEX SOC HD SCREW	**	1330172	MOTOR PULLEY
56	1246157	8MM LOCK WASHER	**	422-29-101-0002	4MM HEX WRENCH
*	n 737353	CUTTERHEAD ASSY., INCL:	**	428-06-101-0001	10 X 13MM OPEN END WRENCH
57	909971	BEARING BLOCK, 37-350 T2, 37-365X	**	428-06-101-0003	2.5MM HEX WRENCH
	1330095	BEARING BLOCK, 37-350 T1	*		NOT SHOWN ASSEMBLED
58	1313116	BEARING	**		NOT SHOWN
59	1246158	M5 X 16MM HEX SOC SET SCREW			
60	1330112	KNIFE LIFTER			
61	1330100	CUTTERHEAD			
62	428-07-079-0005	35MM KEY			



REPLACEMENT PARTS

Ref.	Part No.	Description
145	1246053	M8 X 25MM HEX SOC HD SCREW
146	1246157	8MM LOCK WASHER
147	1330172	MOTOR PULLEY
NOT INCLUDED WITH BASIC 37-350 UNIT		
148	1246009	M8 X 10MM HEX SOC SET SCREW
149	51-009	V-BELT
*	52-680	STAND,CONST.OF.; 37-350 T2, 37-365X
*	52-670	STAND,CONST.OF.; 37-350 T1
150	901-06-423-1170	#10-32 X 5/8" CUT SCREW
151	909977	BACK PANEL, 37-350 T2, 37-365X
	436-01-124-0001	BACK PANEL, 37-350 T1
152	909976	GUARD, 37-350 T2, 37-365X
	418-11-054-0001	GUARD, 37-350 T1
153	901-01-060-0612	1/4-20 X 5/8" HEX HD SCREW
154	904-01-010-1614	FLAT WASHER
155	902-01-120-1034	1/4-20 HEX NUT
156	909978	CABINET ASSY., 37-350 T2, 37-365X
	418-11-318-0001	CABINET ASSY., 37-350 T1
157	418-11-305-0001	SUB BASE
158	901-01-060-0607	5/16-18 X 3/4" HEX HD SCREW
159	904-01-010-1620	5/16" FLAT WASHER
160	904-02-010-1703	5/16" LOCK WASHER
161	902-01-010-1300	5/16-18 HEX NUT
162	438-01-011-0065	PLUG
163	438-01-011-0020	INSULATOR
164	901-11-020-0834	5/16-18 X 3/4" CARRIAGE BOLT
165	436-01-004-0022	MOTOR BRACKET
166	909979	FRONT PANEL, 37-350 T2, 37-365X
	436-01-123-0001	FRONT PANEL, 37-350 T1
167	402-04-031-0001	COVER, 37-350 T1
168	901-02-050-5634	#6-32 X 1/2" ROUND HD SCREW, 37-350 T1
169	902-01-120-9232	#6-32 HEX NUT
170	37-108	PUSH BLOCKS
171	n 912058	MOTOR, 37-350 T2, 37-365X
172	n 418-11-137-0002	NAMEPLATE, 37-365X
174	n 910353	DUST CHUTE, 37-350 T2, 37-365X
175	n 901-05-213-1711	#10-16 X 1/2" HEX HD SCREW, 37-350 T2, 37-365X
176	n 907013	M4 CAP NUT, 37-350 T2, 37-365X
177	n 905224	SWITCH, 37-350 T2, 37-365X
178	n 905221	SWITCH BOX, 37-350 T2, 37-365X
179	n 907014	HEX ROD SCREW, 37-350 T2, 37-365X
180	n 1087794	RIVET, 37-365X
**	901-11-020-0834	5/16-18 X 3/4" CARRIAGE BOLT (NOTE B)
**	902-01-010-1300	5/16-18 HEX NUT (NOTE B)
**	904-01-010-1620	5/16" FLAT WASHER (NOTE B)
**	904-02-010-1703	5/16" LOCK WASHER (NOTE B)
*	1246039	MOTOR PULLEY SET SCREW
*	1330760	TABLE WRENCH
*		NOT SHOWN ASSEMBLED
**		NOT SHOWN

NOTE B: USED FOR MOUNTING MOTOR TO MOTOR BRACKET (REF. NO. 165), PROVIDED WITH ELECTRICAL KIT

STANDARD SAFETY EQUIPMENT

In order to promote tool safety, Delta Machinery strictly enforces the policy of repairing or replacing any damaged or missing standard safety equipment on machines presented to Delta Authorized Service Centers for service/repairs. Any product that is presented to a Delta Authorized Service Centers for repairs which contains missing or damaged standard safety equipment will have that equipment repaired or replaced and the customer will be charged for any such service/repairs. Customers can avoid such charges only if the missing safety component is supplied to the service center at the time of repair.

This parts list is provided to aid in obtaining service parts. Copies of the instruction and maintenance literature can be obtained through the Delta Technical Publications Department or through your service outlet.