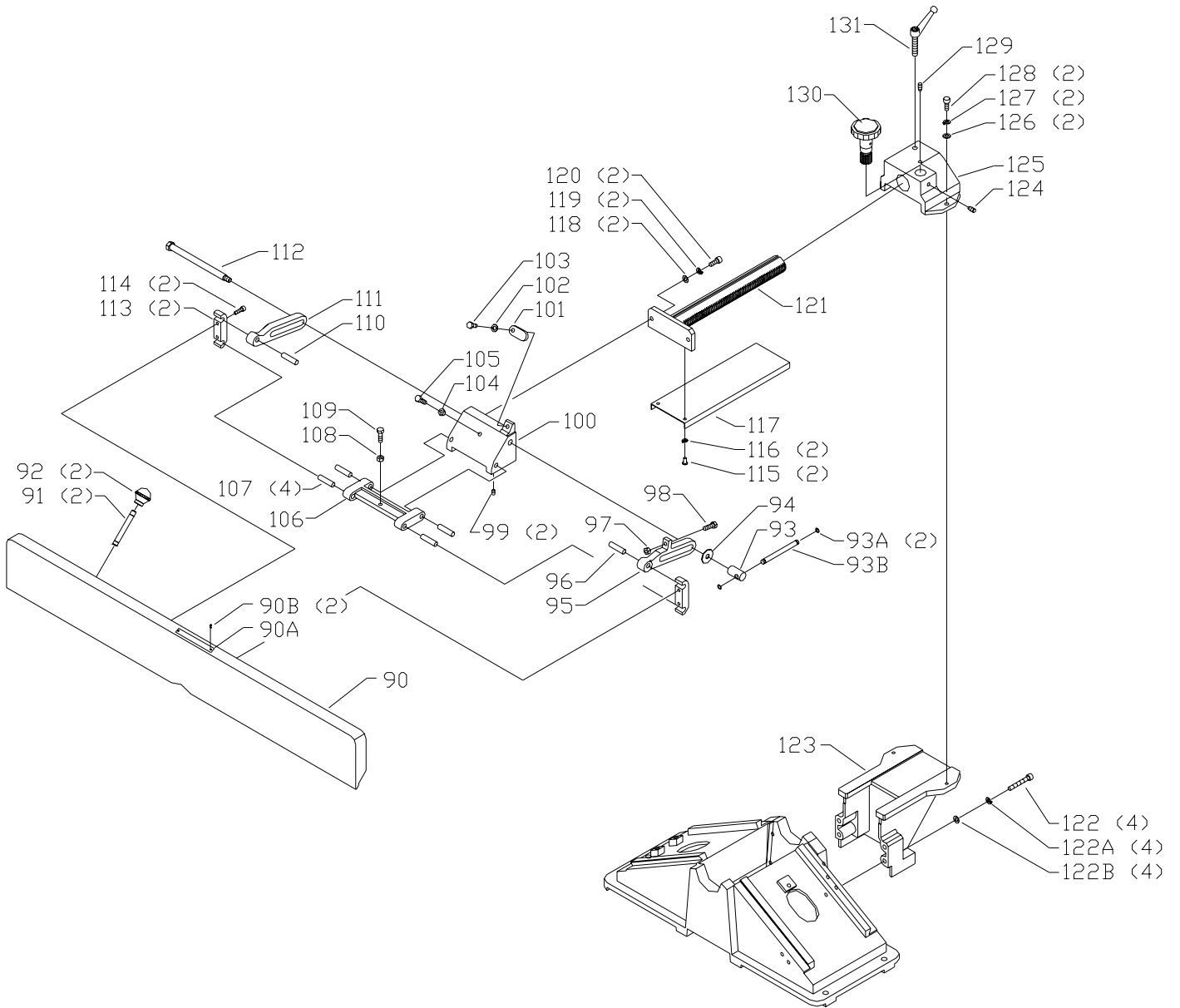


REPLACEMENT PARTS

| Ref. | No. | Part No. | Description | Ref. | No. | Part No. | Description |
|------|-----|-----------------|--------------------------------|------|-----|---------------------|----------------------------|
| * | n | 737191 | CUTTERHEAD ASSY, INCL: | 40G | | 1347832 | 12 X 14MM OPEN END WRENCH |
| 1 | | 1340195 | BAR | 41 | | 1346752 | POINTER |
| 2 | | 37-658 | KNIVES (SET OF 3) | 42 | | 1343545 | M4.1 FLAT WASHER |
| 3 | | 1340196 | KNIFE SCREW | 43 | | 1346753 | STOP |
| 4 | | 910005 | PULLEY, 37-195 T2, 37-275X | 44 | | 1346754 | SPACER |
| | | 1340112 | PULLEY, 37-195 T1 | 45 | | 1310311 | M4 X 22MM SPRING PIN |
| 5 | | 909544 | SUPPORT RH, 37-195 T2, 37-275X | 46 | | 1246154 | M4 X 16MM CHEESE HD SCREW |
| | | 1340113 | SUPPORT RH, 37-195 T1 | 47 | | 1340132 | PLATE |
| 6 | | 1086894 | BALL BEARING | 48 | | 1340133 | SPRING |
| 7 | | 1340114 | KEY | 49 | | 1340134 | CUP |
| 8 | | 1246008 | M5 X 12MM HEX SOC SET SCREW | 50 | | 1340135 | RETAINER |
| 8A | | 1330112 | NUT | 51 | | 1310161 | M4 X 18MM PAN HD SCREW |
| 9 | | 1243321 | M6 X 10MM HEX SOC SET SCREW | 53 | | 1310016 | 5MM DRIVE SCREW |
| 10 | | 1340115 | CUTTERHEAD | 54 | | 1340137 | SCALE |
| 11 | | 920-04-010-5355 | BALL BEARING | 56 | | 1310016 | 5MM DRIVE SCREW |
| 12 | | 909545 | SUPPORT LH, 37-195 T2, 37-275X | 57 | | 909546 | NAMEPLATE, 37-195 T2 |
| | | 1340116 | SUPPORT LH, 37-195 T1 | | | 1346699 | NAMEPLATE, 37-195 T1 |
| 13 | | 1340117 | STUD | 58 | | 1330670 | EXT RET RING |
| 14 | | 1243360 | M10.2 LOCK WASHER | 59 | | 1340140 | BRACKET |
| 15 | | 1243496 | M10 HEX NUT | 60 | | 1246122 | M8 X 16MM HEX SOC HD SCREW |
| 16 | | 1340118 | STOP SCREW | 61 | | 1246157 | M8.1 LOCK WASHER |
| 17 | | 1246122 | M8 X 16MM HEX SOC HD SCREW | 62 | | 1346755 | PIN |
| 18 | | 1243398 | M8 HEX NUT | 63 | | NOT AVAILABLE | BASE ASSY (SEE NOTE A) |
| 19 | | 909548 | BLOCK, 37-195 T2, 37-275X | 65 | | 1346757 | LINK BLOCK |
| | | 1346750 | BLOCK, 37-195 T1 | 66 | | 1346758 | STUD |
| 19A | | 1346751 | LOCK LEVER ASSY | 67 | | 1346759 | BRACKET |
| 20 | | 1243398 | M8 HEX NUT | 68 | | 1346769 | TUBE |
| 21 | | 1246150 | M8 X 25MM HEX SOC SET SCREW | 69 | | 1346760 | GROMMET |
| 22 | | 1340120 | LOCKSCREW | 70 | | 1346761 | SPRING |
| 23 | | 1243456 | M6 HEX NUT | 71 | | 1346762 | STOP NUT |
| 24 | | 1246187 | M6 X 25MM HEX SOC SET SCREW | 72 | | 1346763 | CABLE ASSY |
| 25 | | 1340121 | GIB | 73 | | 1346764 | COLLAR |
| 26 | | 37-108 | JOINTER PUSH BLOCK | 74 | | 1243339 | M6 X 8MM HEX SOC SET SCREW |
| 27 | | 1310055 | M6 X 6MM HEX SOC SET SCREW | 75 | | 1346772 | M2 X 12MM SPRING PIN |
| 28 | | 1347020 | M11.5 FLAT WASHER | 76 | | 1340142 | SPECIAL BOLT |
| 29 | | 1345859 | M6 X 12MM BUTTON HD SCREW | 77 | | 1346756 | LINK |
| 30 | | 1340622 | M6.4 FLAT WASHER | 78 | | 909550 | BLOCK, 37-195 T2, 37-275X |
| 31 | | 1340122 | KNOB | | | 1346773 | BLOCK, 37-195 T1 |
| 32 | | 1340123 | COLLAR | 79 | | 1243339 | M6 X 8MM HEX SOC SET SCREW |
| 33 | | 1347020 | M11.5 FLAT WASHER | 80 | | 1243496 | M10 HEX NUT |
| 34 | | 1340124 | BLOCK | 81 | | 1346774 | SHAFT |
| 35 | | 1246157 | M8.1 LOCK WASHER | 82 | | 1246027 | EXT RET RING |
| 36 | | 1246006 | M8 X 50MM HEX SOC HD SCREW | 83 | | 1346768 | BRACKET |
| 37 | | 1340125 | SCREW SHAFT | 84 | | 1346766 | LEVER ROD |
| 38 | | 1340126 | GUARD, INCL: | 85 | | 1346767 | KNOB, 37-195 |
| 38A | | 1246008 | M5 X 12MM HEX SOC SET SCREW | n | | 912060 | KNOB, 37-275X |
| 38B | | 1346696 | WARNING LABEL | 86 | | 1346765 | LEVER |
| 40A | | 428-06-101-0003 | 2.5MM HEX WRENCH | 87 | | 1342389 | SPECIAL SCREW |
| 40B | | 428-06-101-0002 | 3MM HEX WRENCH | 88 | | 1340147 | DUST CHUTE |
| 40C | | 422-29-101-0002 | 4MM HEX WRENCH | 89 | | 1330689 | SEAL |
| 40D | | 428-07-101-0002 | 6MM HEX WRENCH | | | | |
| 40E | | 422-30-101-0002 | 8MM HEX WRENCH | * | | NOT SHOWN ASSEMBLED | |
| 40F | | 1343918 | 8 X10MM OPEN END WRENCH | | | | |

NOTE A: BASE, FRONT AND REAR TABLES CANNOT BE SUPPLIED BECAUSE THEY MUST BE MACHINED TOGETHER FOR ACCURACY AND TRUE ALIGNMENT MAKING THIS REPAIR COST PROHIBITIVE.

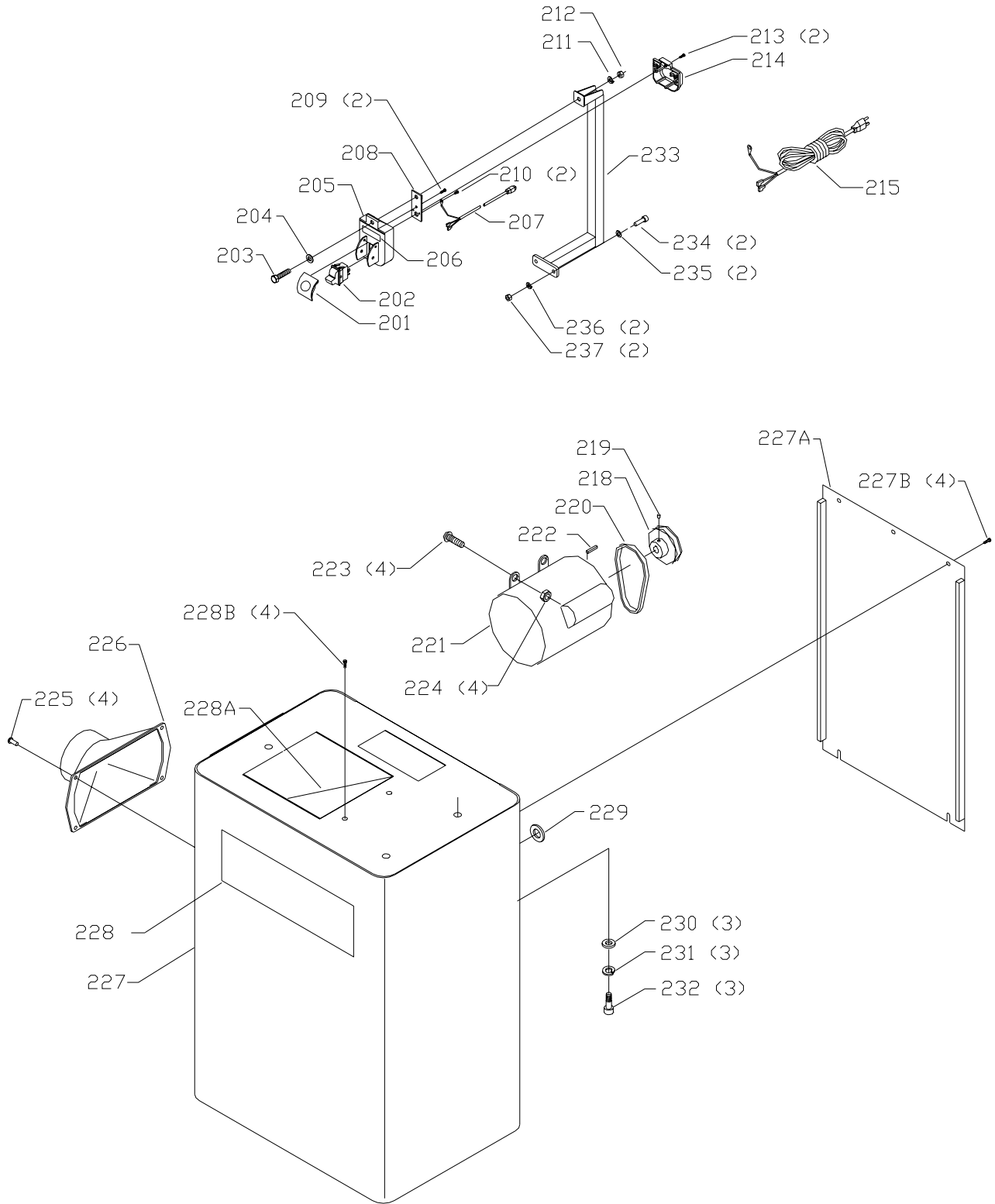


REPLACEMENT PARTS

| <u>Ref.</u> | <u>No.</u> | <u>Part No.</u> | <u>Description</u> |
|-------------|------------|-----------------|---|
| * | | 909615 | FENCE ASSY, CONST OF.; 37-195 T2, 37-275X |
| * | | 1346728 | FENCE ASSY, CONST OF.; 37-195 T1 |
| 90 | | 909555 | FENCE, INCL.; 37-195 T2, 37-275X |
| | | 900980 | FENCE, INCL.; 37-195 T1 |
| 90A | | 1346697 | WARNING LABEL |
| 90B | | 1310016 | 5MM DRIVE SCREW |
| 91 | | 1340150 | STUD |
| 92 | | 1340149 | KNOB, 37-195 |
| | n | 912059 | KNOB, 37-275X |
| 93 | | 1346730 | LOCKNUT |
| 93A | | 1340665 | O-RING |
| 93B | | 1346732 | LOCK BAR |
| 94 | | 1246116 | M10.5 FLAT WASHER |
| 95 | | 909552 | RIGHT BRACKET, 37-195 T2, 37-275X |
| | | 1346734 | RIGHT BRACKET, 37-195 T1 |
| 96 | | 1346749 | PIN |
| 97 | | 1243398 | M8 HEX NUT |
| 98 | | 1246016 | M8 X 25MM HEX HD SCREW |
| 99 | | 1243379 | M6 X 10MM HEX SOC HD SCREW |
| 100 | | 909551 | FENCE BRACKET, 37-195 T2, 37-275X |
| | | 1346735 | FENCE BRACKET, 37-195 T1 |
| 101 | | 1346736 | STOP |
| 102 | | 1344330 | M8 FLAT WASHER |
| 103 | | 1310105 | M8 X 16MM HEX HD SCR (SEENOTEB |
| 104 | | 1243398 | M8 HEX NUT |
| 105 | | 1246016 | M8 X 25MM HEX HD SCREW |
| 106 | | 909554 | SUPPORT, 37-195 T2, 37-275X |
| | | 1346737 | SUPPORT, 37-195 T1 |
| 107 | | 1346749 | PIN |
| 108 | | 1243398 | M8 HEX NUT, 37-195 T1 |
| 109 | | 1246016 | M8 X 25MM HEX HD SCREW |
| 110 | | 1346749 | PIN |
| 111 | | 909553 | LEFT BRACKET, 37-195 T2, 37-275X |
| | | 1346738 | LEFT BRACKET, 37-195 T1 |
| 112 | | 1346739 | SPECIAL SCREW |
| 113 | | 1346740 | REAR CLAMP |
| 114 | | 1243336 | M6 X 20MM HEX SOC HD SCREW |
| 115 | | 1345859 | M6 X 12MM BUTTON HD SCREW |
| 116 | | 1243520 | M6.1 LOCK WASHER |
| 117 | | 1346741 | GUARD |
| 118 | | 1344330 | M8 FLAT WASHER |
| 119 | | 1246157 | M8.1 LOCK WASHER |
| 120 | | 1246053 | M8 X 25MM HEX SOC HD SCREW |
| 121 | | 909556 | RAM, 37-195 T2, 37-275X |
| | | 1346742 | RAM, 37-195 T1 |
| 122 | | 1340194 | M8 X 55MM HEX SOC HD SCREW |
| 122A | | 1246157 | M8.1 LOCK WASHER |
| 122B | | 1344330 | M8 FLAT WASHER |
| 123 | | 909558 | BRACKET, 37-195 T2, 37-275X |
| | | 1346743 | BRACKET, 37-195 T1 |
| 124 | | 1346744 | SPECIAL SCREW |
| 125 | | 909557 | BRACKET, 37-195 T2, 37-275X |
| | | 1346745 | BRACKET, 37-195 T1 |
| 126 | | 1344330 | M8 FLAT WASHER |
| 127 | | 1246157 | M8.1 LOCK WASHER |
| 128 | | 1246054 | M8 X 20MM HEX SOC HD SCREW |
| 129 | | 1346744 | SPECIAL SCREW |
| 130 | | 1346746 | HANDWHEEL |
| 131 | | 1346747 | LEVER ASSY |

* NOT SHOWN ASSEMBLED

NOTE B: WHEN SEVICING, USE THREAD RETAINING COMPOUND PRIOR TO INSTALLATION.



REPLACEMENT PARTS

| Ref. | No. | Part No. | Description |
|------|-----|-----------------|---|
| * | | 52-866 | STAND, CONST OF.; 37-195 T2, 37-275X |
| * | | 52-858 | STAND, CONST OF.; 37-195 T1 |
| * | | 438-01-317-0146 | SWITCH ASSY, CONST OF: |
| 201 | | 422-39-067-0001 | SWITCH ACTUATOR |
| 202 | | 438-01-017-0206 | SWITCH |
| 203 | | 901-01-060-0649 | 5/16-18 X 1" HEX HD SCREW |
| 204 | | 904-01-010-1620 | FLAT WASHER |
| 205 | | 422-39-014-0009 | SWITCH BOX COVER, INCL: |
| 206 | n | 436-01-754-0007 | SWITCH LABEL, 37-195 T2 |
| | | 1346700 | SWITCH LABEL, 37-195 T1 |
| | n | 436-01-754-0006 | SWITCH LABEL, 37-275X |
| 207 | | 438-01-302-0718 | FEMALE CORD ASSY |
| 208 | | 422-39-089-0007 | SWITCH PLATE |
| 209 | | 901-05-163-1229 | #10-16 X 1/2" PAN HD SCREW |
| 210 | | 901-05-163-1229 | #10-16 X 1/2" PAN HD SCREW |
| 211 | | 904-02-010-1703 | 5/16" LOCK WASHER |
| 212 | | 902-01-010-1300 | 5/16-18 HEX NUT |
| 213 | | 901-05-163-1229 | #10-16 X 1/2" PAN HD SCREW |
| 214 | | 422-39-013-0001 | SWITCH BOX |
| 215 | | 438-01-302-0672 | CORD SET |
| 218 | | 926-04-013-1787 | PULLEY, INCL: |
| 219 | | 901-04-150-0205 | 5/16-18 X 3/8" HEX SOC SET SCREW |
| 220 | | 925-01-033-1710 | V BELT |
| 221 | n | 912061 | MOTOR ASSY, INCL.; 37-195 T2, 37-275X |
| | | 438-02-314-2174 | MOTOR ASSY, INCL.; 37-195 T1 |
| 222 | | 927-03-010-2650 | KEY |
| 223 | | 901-11-020-0834 | 5/16-18 X 1/4" HEX SOC SET SCREW |
| 224 | | 902-01-503-1514 | 5/16-18 FLANGE NUT |
| 225 | | 901-05-213-1711 | #10-16 X 1/2" HEX WASHER HD SCREW |
| 226 | n | 910353 | DUST CHUTE, 37-195 T2, 37-275X |
| | | 406-12-026-0001 | DUST CHUTE, 37-195 T1 |
| 227 | | 909560 | CABINET ASSY, INCL.; 37-195 T2, 37-275X |
| | | 436-01-318-0021 | CABINET ASSY, INCL.; 37-195 T1 |
| 227A | | 909559 | SIDE PANEL, 37-195 T2, 37-275X |
| | | 436-01-123-0002 | SIDE PANEL, 37-195 T1 |
| 227B | | 901-06-443-1806 | #10-24 X 1/2" HEX HD SCREW |
| 228 | n | 436-01-754-0004 | NAMEPLATE, 37-195 T2 |
| | | 1346695 | NAMEPLATE, 37-195 T1 |
| | n | 436-01-754-0005 | NAMEPLATE, 37-275X |
| 228A | | 436-01-026-0005 | DUST CHUTE |
| 228B | | 901-06-443-1806 | #10-24 X 1/2" HEX HD SCREW |
| 229 | | 438-01-011-0051 | BUSHING INSULATOR |
| 230 | | 1243502 | M10 FLAT WASHER |
| 231 | | 1243360 | M10.2 LOCK WASHER |
| 232 | | 1246100 | M10 X 20MM HEX SOC HD SCREW |
| 233 | | 1346748 | SWITCH MOUNTING BRACKET |
| 234 | | 1243530 | M8 X 30MM HEX SOC HD SCREW |
| 235 | | 1344330 | M8 FLAT WASHER |
| 236 | | 1246157 | M8.1 LOCK WASHER |
| 237 | | 1243398 | M8 HEX NUT |
| * | | | NOT SHOWN ASSEMBLED |

STANDARD SAFETY EQUIPMENT

In order to promote tool safety, Delta Machinery strictly enforces the policy of repairing or replacing any damaged or missing standard safety equipment on machines presented to Delta Authorized Service Centers for service/repairs. Any product that is presented to a Delta Authorized Service Centers for repairs which contains missing or damaged standard safety equipment will have that equipment repaired or replaced and the customer will be charged for any such service/repairs. Customers can avoid such charges only if the missing safety component is supplied to the service center at the time of repair.

This parts list is provided to aid in obtaining service parts. Copies of the instruction and maintenance literature can be obtained through the Delta Technical Publications Department or through your service outlet.