

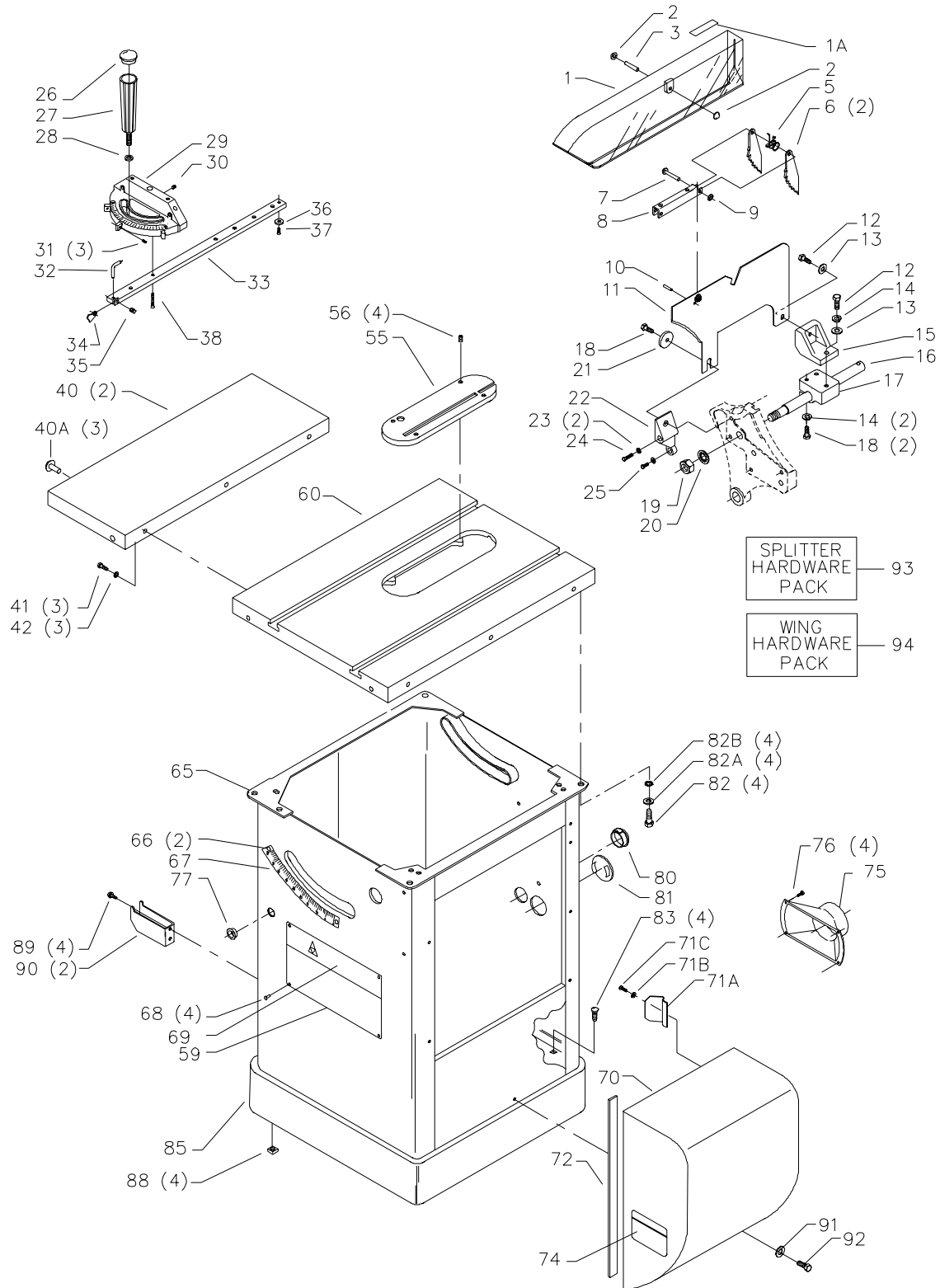


36-R31, 36-R31X, 36-R51, 36-R51L, 36-R53L  
10" TILTING ARBOR UNISAW®  
RIGHT TILT

CS-4K-15-2

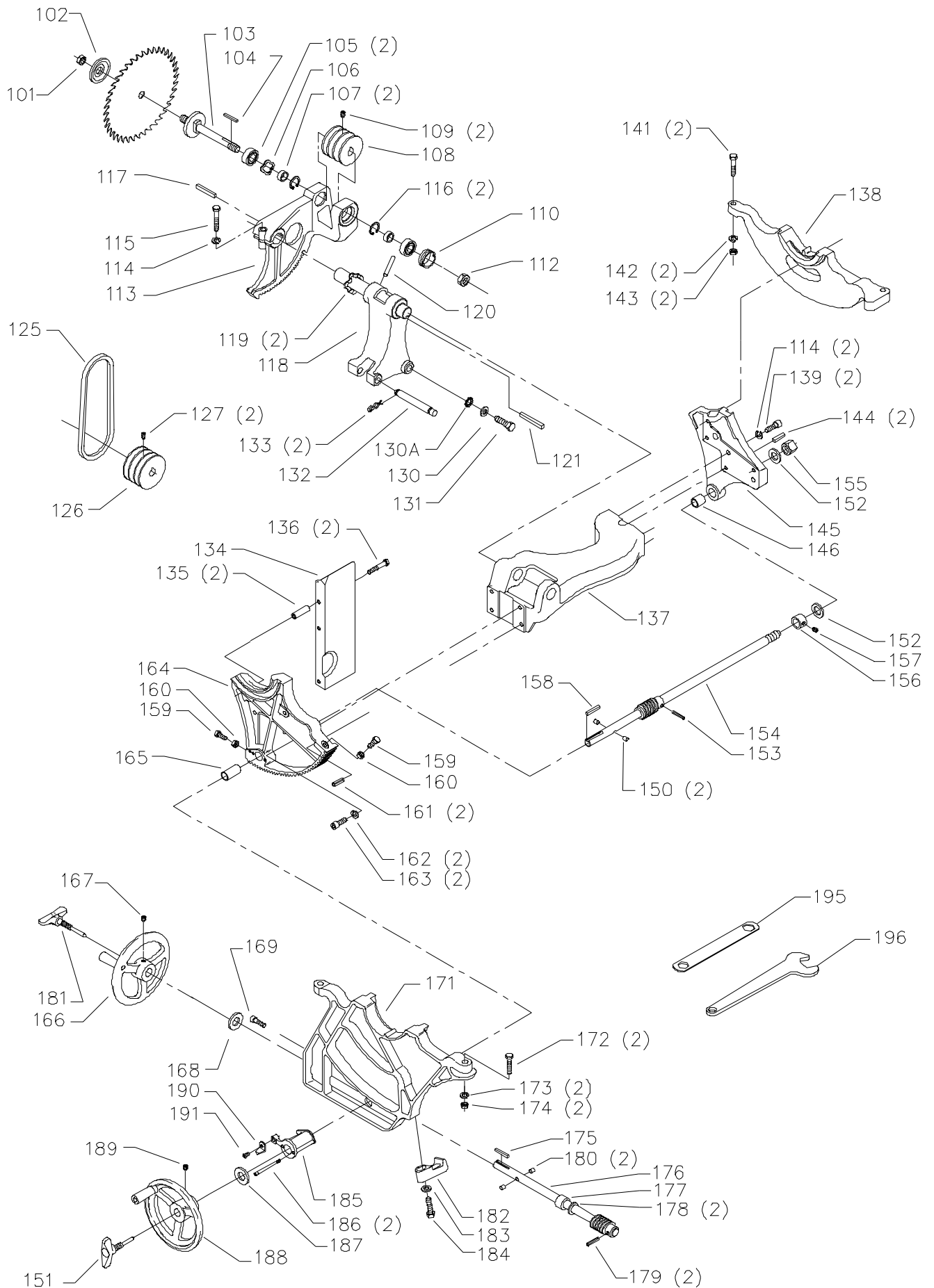
PARTS LIST NO. 422-04-651-0070

Dated 04-16-03



# REPLACEMENT PARTS

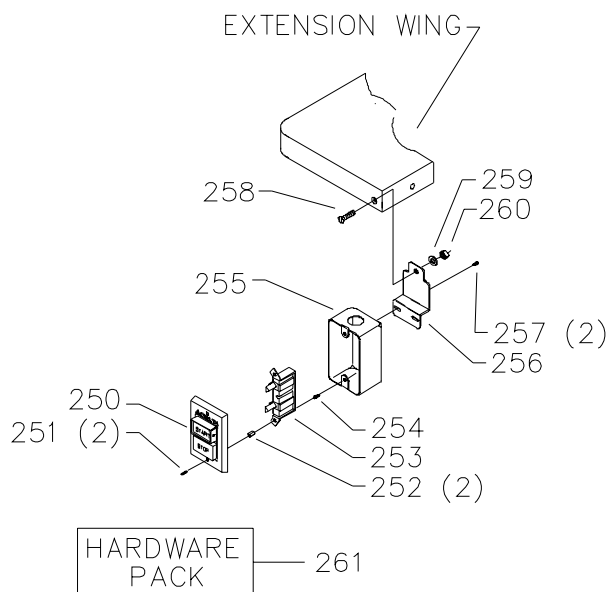
<u>Ref.</u>	<u>No.</u>	<u>Part No.</u>	<u>Description</u>	<u>Ref.</u>	<u>No.</u>	<u>Part No.</u>	<u>Description</u>
*		734639	BLADE GUARD COMPLETE, CONST OF:	55		34-154	STANDARD INSERT, INCL:
*		1086935	BLADE GUARD, CONST OF:	56		901-04-461-5297	1/4-28 X 3/8" HEX SOC SET SCREW
1		1086334	SEE THRU GUARD	59		422-04-137-0012	NAMEPLATE, 36-R31, 36-R51, 36-R51L, & 36-R53L
1A		422-04-754-0004	LABEL			422-04-137-00014	NAMEPLATE, 36-R31X
2		1086388	PUSH NUT CAP	60		422-04-391-0003	TABLE
3		1087811	PIN	65		422-04-318-0022	CABINET ASSY , INCL:
5		1086353	SPRING	66		1087794	RIVET
6		422-16-047-0001	KICK BACK FINGER	67		422-04-132-0004	TILT SCALE
7		422-04-071-0007	PIN	68		1087794	RIVET
8		1086337	PIVOT BRACKET	69		422-04-137-00013	WARNING LABEL
9		1086387	PUSH NUT	70		422-04-331-0014	MOTOR COVER , INCL:
10		905-01-010-6729	5/32" X 11/16" SPRING PIN	71A		422-04-122-0005	SPRING CLIP 1 5/8" LONG
11		422-04-086-0002	SPLITTER W/BUSHING	71B		904-01-013-1868	#10 FLAT WASHER
12		901-01-060-0649	5/16-18 X 1" HEX HD SCREW	71C		901-02-453-1123	10-32 X 1/2 PAN HD SCREW
13		904-01-010-1620	FLAT WASHER	72		400-06-416-0003	GASKET 1/2" THICK
14		904-02-010-1703	5/16" LOCK WASHER	74		422-04-752-0184	WARNING LABEL
15		422-04-014-0018	BRACKET	75		406-12-026-0001	DUST CHUTE
16		422-04-089-0003	SUPPORT ROD	76		901-05-213-1498	#10 X 1/2" HEX WASHER HD SCREW
17		422-04-014-0019	BRACKET	77		438-01-011-0021	INSULATOR
18		901-01-060-0649	5/16-18 X 1" HEX HD SCREW	80		438-01-011-0065	HOLE PLUG - 1.5" DIA
19		902-01-020-1226	5/8-18 JAM NUT	81		438-01-011-0074	HOLE PLUG - 2" DIA
20		904-03-020-1751	5/8" INT TOOTH WASHER	82		901-03-010-1487	7/16-20 X 3/4" HEX SOC HD SCREW
21		422-03-072-0001	PLATE	82A		904-10-031-2097	WASHER
22		422-04-014-0037	SPLITTER BRACKET	82B		904-03-030-1771	7/16 LOCK WASHER
23		904-01-010-1620	5/16" FLAT WASHER	83		901-11-020-0834	5/16-18 X 3/4" HEX SOC HD SCREW
24		901-03-013-1698	5/16-18 X 2" HEX SOC HD SCREW	85		422-04-305-0001	SUB BASE
25		901-03-010-0757	5/16-18 X 3/4" HEX SOC HD SCREW	88		902-01-503-1514	5/16 - 18 FLANGE NUT
*		34-895	MITER GAGE, CONST OF:	89		901-05-213-1498	10 X 1/2" HEX HD SCREW
26		422-02-074-0001	HOLE PLUG	90		422-35-014-0002	BRACKET
27		422-02-060-0003	HANDLE, 36-R31, 36-R51, 36-R51L, & 36-R5:	91		901-01-013-1885	1/4" FLAT WASHER
		422-02-060-0004	HANDLE, 36-R31X	92		901-01-063-1880	1/4"-20 x 5/8" HEX HD SCREW
28		904-07-010-5555	1/4" FIBER WASHER	93		422-04-725-0002	SPLITTER MTG. HARDWARE PACK
29		422-01-355-0004	MITER GAGE BODY, INCL:	94		422-04-725-0006	WING MTG. HARDWARE PACK
30		901-04-150-1181	1/4-28 X 3/16" HEX SOC SET SCREW				
31		901-04-150-9428	8-32 X 1/2" HEX SOC SET SCREW				
32		422-01-075-0001	POINTER				
33		422-04-004-0001	BAR, INCL:				
34		422-01-088-0004	STOP LINK				
35		901-04-150-1181	1/4-28 X 3/16" HEX SOC SET SCREW				
36		422-04-072-0001	PLATE				
37		901-02-030-5750	1/4-28 X 5/16" FLAT HD SCREW				
38		422-01-112-0001	SCREW				
40		36-937	EXTENSION WING, INCL:				
40A		438-01-011-0077	PLUG				
41		901-01-060-9964	7/16-20 X 1 1/4" HEX HD SCREW				
42		904-10-031-2097	7/16" WASHER				
				*			NOT SHOWN ASSEMBLED



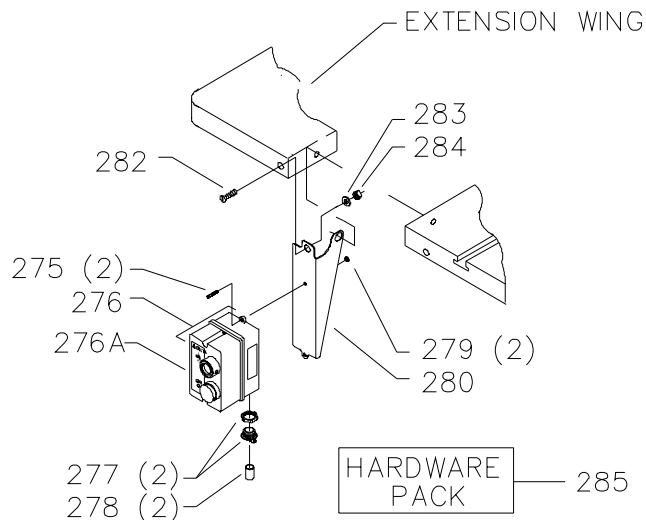
# REPLACEMENT PARTS

<u>Ref.</u>	<u>No.</u>	<u>Part No.</u>	<u>Description</u>	<u>Ref.</u>	<u>No.</u>	<u>Part No.</u>	<u>Description</u>
*		422-04-314-5003	ARBOR BRACKET, CONST OF:	166		422-04-400-0005	HANDWHEEL, INCL., 36-R31, 36-R51, 36-R51L, & 36-R53L
101		902-01-200-9848	ARBOR NUT - LH			422-04-400-0007	HANDWHEEL, INCL., 36-R31X
102		422-04-103-5001	FLANGE	167		901-04-190-0201	5/16-18 X 5/16" HEX SOC SET SCREW
103		422-04-303-0003	ARBOR & FLANGE	168		904-07-010-5569	3/4" FIBER WASHER
104		927-03-020-2660	1 1/2" KEY	169		901-03-040-8016	5/16-18 X 3/4" HEX SOC HD SCREW
105		1086894	BALL BEARING	171		422-04-014-5001	FRONT BRACKET
106		928-06-020-7382	LOAD SPRING	172		901-01-060-0682	3/8-24 X 1 1/2" HEX HD SCREW
107		422-04-104-0002	SPACER	173		904-02-020-1704	3/8" LOCK WASHER
108		926-03-991-2328	ARBOR PULLEY, INCL:	174		902-01-010-1207	3/8-24 HEX NUT
109		0908653	5/16-18 X 3/8" HEX SOC HD SCREW	175		927-03-010-2650	1 3/8" KEY
110		902-07-020-7176	BEARING CLOSURE NUT	176		422-04-406-5001	TILT SHAFT W/WORM, INCL:
112		902-01-200-9847	SPECIAL NUT	177		904-10-031-4509	COLLAR
113		422-04-314-5002	ARBOR BRACKET, INCL:	178		904-01-021-3577	3/4" FIBER WASHER
114		904-02-020-1704	3/8" LOCK WASHER	179		905-01-010-2706	3/16" X 1" SPRING PIN
115		901-01-060-3102	3/8-16 X 1 3/4" HEX HD SCREW	180		422-04-074-0001	PLUG
116		904-15-101-7147	INTERNAL RETAINING RING	181		422-04-412-0009	LOCK KNOB, 36-R31, 36-R51, 36-R51L, & 36-R53L
117		927-03-010-2653	1 15/16" KEY			422-04-412-0011	LOCK KNOB, 36-R31X
118		422-04-314-5004	MOTOR BRACKET W/SHAFT, INCL:	182		422-04-055-0006	GUIDE BLOCK
119		928-06-011-4128	1 1/4" WAVE WASHER	183		904-10-031-2097	WASHER
120		905-01-010-5072	1/4" X 2" SPRING PIN	184		901-01-060-0681	7/16-20 X 1 1/2" HEX HD SCREW
121		927-03-010-2657	2.937" KEY	185		422-04-014-2008	POINTER BRACKET
125		49-124	SET OF 3 V-BELTS	186		0919714	8-32 X 2" FILL HD SCREW
126		41-644	MOTOR PULLEY, INCL:	187		904-07-010-5569	3/4" FIBER WASHER
127		0908653	5/16-18 X 3/8" HEX SOC HD SCREW	188		422-04-400-0005	HANDWHEEL, INCL., 36-R31, 36-R51, 36-R51L, & 36-R53L
130		904-10-031-2097	7/16" WASHER			422-04-412-0007	HANDWHEEL, INCL., 36-R31X
130A		904-03-030-1771	7/16" LOCK WASHER	189		901-04-190-0201	5/16-18 X 5/16" HEX SOC SET SCREW
131		901-01-060-0664	7/16-20 X 1" HEX HD SCREW	190		422-04-075-0002	POINTER
132		422-04-071-5001	STEEL PIN	191		901-06-110-3036	1/4-20 X 3/8" ROUND HD SCREW
133		422-04-079-5001	SPRING CLIP	**		438-01-004-0054	CABLE TIE (SEE NOTE A)
134		422-04-036-5001	DEFLECTOR	195		422-39-101-0001	WRENCH-7/8 X 1/2"
135		422-04-104-5005	SLEEVE	196		955-01-050-1472	WRENCH
136		901-01-060-0613	5/16-18 X 1 3/4" HEX HD SCREW	**		438-01-302-0381	8' #14-3 1PH 230V 15A CORD
137		422-04-102-5002	YOKE	**		438-01-302-2004	9' #12-3 1PH 230V 20A CORD
138		422-04-014-0042	BRACKET	**		83-621	1 PH 1.5HP 230V MOTOR
139		901-03-010-0775	3/8-16 X 1" HEX SOC HD SCREW	**		83-651	1 PH 3HP 230V MOTOR
141		901-01-060-0682	3/8-24 X 1 1/2" HEX HD SCREW	**		83-671	1 PH 5HP 230V MOTOR
142		904-02-020-1704	3/8" LOCK WASHER	**		86-656	3 PH 5HP 230V MOTOR
143		902-01-010-1207	3/8-24 HEX NUT	*			NOT SHOWN ASSEMBLED
144		905-01-010-2734	5/16" X 1" SPRING PIN	**			NOT SHOWN
145		422-04-395-5002	REAR TRUNNION, INCL:				
146		920-75-011-3934	BEARING				
*		422-04-406-5002	RAISING SHAFT ASSY, CONST OF:				
150		422-04-074-0001	PLUG				
151		422-04-412-0009	LOCK KNOB, 36-R31, 36-R51, 36-R51L, & 36-R53L				
		422-04-412-0011	LOCK KNOB, 36-R31X				
152		904-01-021-3577	3/4" FIBER WASHER				
153		905-01-010-2706	3/16" X 1" SPRING PIN				
154		422-04-406-0001	SHAFT W/WORM, INCL:				
155		902-01-210-1036	3/4-16 LOCK NUT				
156		434-01-404-0001	COLLAR, INCL:				
157		901-04-190-0201	5/16-18 X 5/16" HEX SOC SET SCREW				
158		927-03-010-2650	1 3/8" KEY				
159		901-01-060-5769	5/16-24 X 1" HEX HD SCREW				
160		902-01-020-1228	5/16-24 JAM NUT				
161		905-01-010-2734	5/16" X 1" SPRING PIN				
162		904-02-020-1704	3/8" LOCK WASHER				
163		901-03-010-0775	3/8-16 X 1" HEX SOC HD SCREW				
164		422-04-395-5001	FRONT TRUNNION, INCL:				
165		920-75-011-3935	BUSHING				

**NOTE A:** USED TO SECURE MOTOR SWITCH CORDS, SEE INSTRUCTION MANUAL FOR DETAILS.



FOR USE WITH LVC MODELS ONLY



FOR USE WITH GPE MODELS ONLY

<b>Ref. No.</b>	<b>Part No.</b>	<b>Description</b>
250	1340100	SWITCH COVER ASSY
251	901-02-010-0567	#06-32 X 1/4" ROUND HD SCREW
252	402-07-104-5007	SPACER
253	438-01-017-0101	MAGNETIC SWITCH
254	402-07-111-5002	STUD
255	438-01-001-0036	SWITCH BOX
256	422-40-014-0006	MOUNTING BRACKET-LVC
257	901-05-163-1126	#08-32 X 5/16" PAN HD SCREW
258	901-03-033-1881	5/16-18 X 1 1/4" FLAT HD SCREW
259	904-01-010-1620	FLAT WASHER
260	902-01-010-1300	5/16-18 HEX NUT
261	422-04-725-0003	MTG. HARDWARE PACK
275	901-02-453-1123	#10-32 X 1/2" PAN HD SCREW
276	438-01-016-0199	STARTER,GPE,1PH,230V, INCL:
276A	438-01-016-0200	COVER
277	438-01-004-0007	CORD CLAMP
278	438-01-011-0054	INSULATOR SLEEVE
279	902-01-293-1513	#10-32 KEPS NUT
280	422-40-014-0007	MOUNTING BRACKET-GPE
282	901-03-033-1881	5/16-18 X 1 1/4" FLAT HD SCREW
283	904-01-010-1620	FLAT WASHER
284	902-01-010-1300	5/16-18 HEX NUT
285	422-40-628-0004	MTG. HARDWARE PACK

#### STANDARD SAFETY EQUIPMENT

In order to promote tool safety, Delta Machinery strictly enforces the policy of repairing or replacing any damaged or missing standard safety equipment on machines presented to Delta Authorized Service Centers for service/repairs. Any product that is presented to a Delta Authorized Service Centers for repairs which contains missing or damaged standard safety equipment will have that equipment repaired or replaced and the customer will be charged for any such service/repairs. Customers can avoid such charges only if the missing safety component is supplied to the service center at the time of repair.

*This parts list is provided to aid in obtaining service parts. Copies of the instruction and maintenance literature can be obtained through the Delta Technical Publications Department or through your service outlet.*