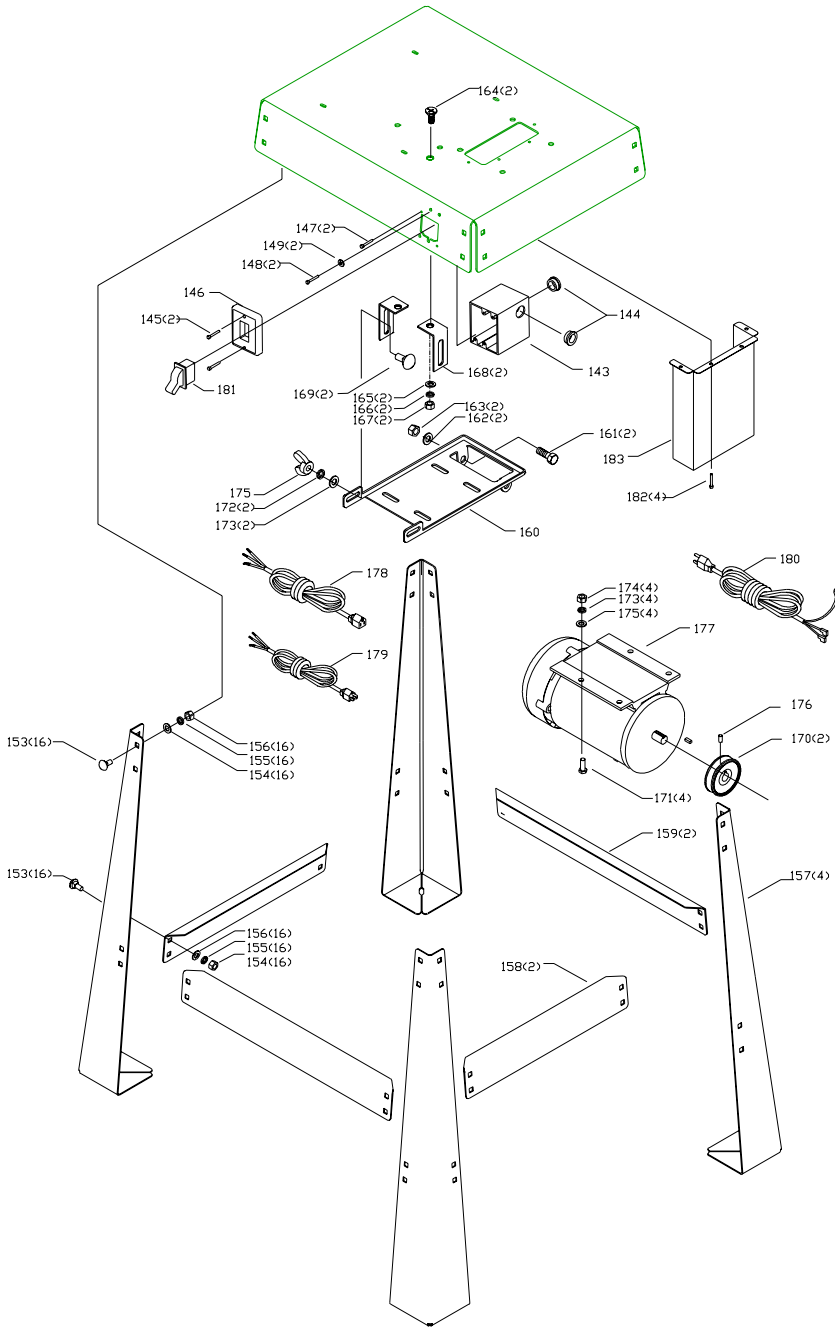


REPLACEMENT PARTS

Ref.			Ref.		
<u>No.</u>	<u>Part No.</u>	<u>Description</u>	<u>No.</u>	<u>Part No.</u>	<u>Description</u>
2	SEE CATALOG	ABRSIVE DISK	82	904-02-010-1703	5/16 LOCK WASHER
4	416-02-339-0001	DISK ASSY,, INCL.; REF. 5 & 6	83	909097	3/8-16 X 3.1/2" STUD
5	901-03-030-0761	1/4-20 X 1/2" SCREW	84	904-01-010-1605	3/8 FLAT WASHER
6	911902	DISK FLANGE	85	902-01-040-1026	3/8-16 HEAVY HEX NUT
7	911531	5/16-18 X 1/2 SET SCREW	86	909935	3/8 LEVER
8	909075	DISK TABLE	87	928-01-023-1644	SPRING 0.41" X 1 3/16" I.D.
9	910983	TRUNNION ASS'Y, INCL.; REF. 10 & 11	88	902-01-213-1635	3/8-16 LOCK NUT
10	951-02-010-7820	DISK TILT SCALE	89	951-02-010-7822	SCALE TILT 20-0-45 DEG
11	910480	2MM X 6MM RIVET	90	910480	ROUND HEAD RIVET
12	910178	DISK TABLE TRUNNION	91	905-01-010-2705	SPRING PIN
13	901-01-060-0612	SCREW 1/4-20 X 5/8"	92	418-03-088-0001	STOP, FLIPPER
14	904-01-010-1603	WASHER	93	909098	TRACKING ECCENTRIC
15	1350293	WASHER	94	910179	RETAINING RING
17	911473	ACCESS COVER	95	406-12-074-0001	TENSION SHAFT PLUG
18	901-03-043-1713	SCREW #08-32 X 3/8"	96	911531	5/16-18 X 1/2 SET SCREW
19	911369	5/16-18 X 3 3/4" HEX SCREW	97	901-03-043-1191	SCREW 5/16-18 X 1/2"
20	430-04-104-0004	WASHER	98	909100	KNOB THRD .375-16
21	904-02-010-1703	WASHER	99	909101	CAM SHAFT
22	901-03-010-0768	SCREW #10-24 X 1 1/4"	100	904-01-033-1306	WASHER
23	902-01-223-1171	10-24 HEX NUT	101	928-05-013-1693	WAVE WASHER
24	901-04-150-0235	SCREW #10-24 X 3/8"	102	905-05-040-2108	PIN-COTTER
25	909079	FRONT COVER	103	909102	TENSION SLEEVE
26	901-03-043-1663	SCREW #10-32 X 1/2"	104	909935	LEVER 3/8"
27	430-04-104-0010	WASHER	105	928-01-023-1644	SPRING
28	420-01-111-0003	STUD 7/16 DIA X 2.94 LONG	106	902-01-213-1635	3/8-16 LOCK NUT
29	910984	CLAMP ASS'Y	107	910990	UPPER IDLER ASS'Y
31	422-04-075-5001	POINTER "	109	909105	, INCL.: REF. 109, 110, 111, & 112
32	901-02-010-0502	SCREW 1/4-20 X 1/4"	110	911302	UPPER IDLER SHAFT
33	904-01-031-2925	WASHER	111	910181	WAVE WASHER
34	928-01-021-4125	SPRING, 7/16 ID X .50 LG	112	1086894	RETAINING RING
35	909080	KNOB	113	909104	BEARING (UPPER IDLER)
36	909081	DRIVE SHAFT	114	905-01-010-6715	IDLER SHAFT SUPPORT
37	909082	0.197 X 0.197 X 4.5 KEY	115	909106	SPRING PIN 3/16" X 5/8"
38	910985	DRIVE PULLEY ASS'Y, INCL.; REF. 39	116	909107	UPPER IDLER COVER
39	911531	5/16-18 X 1/2 SET SCREW	117	909108	KNOB
40	909940	39" A BELT	118	909107	STUD 1/4-20X3/4
41	920-04-020-5348	BALL BEARING	119	911307	BACK PANEL ASS'Y
42	910176	RETAINING RING	120	909107	KNOB 1/4"
43	910177	RETAINING RING	121	909108	STUD 1/4-20 X 3/4"
44	910178	RETAINING RING	122	901-02-030-0466	SCREW #08-32 X 3/8"
45A	911953	LOWER IDLER ASS'Y	123	909111	DUST COLLECTION BOX
48	406-12-111-0004	STUD BELT FRAME	124	901-03-043-1663	#10-32 X 3/8 SCREW
49	904-01-010-1605	WASHER	125	909115	SCREW #10-32 x 3/8"
50	902-01-040-1026	3/8-16 HEAVY HEX NUT	126	909113	WASHER
51	909935	3/8" RACHETING LEVER	127	909114	DUST COLLECTION PORT
52	928-01-023-1644	SPRING 1 3/16 X .41 ID X	128	909115	#10-32 X 3/8 SELF TAPPING SCREWS
53	902-01-213-1635	LOCK NUT 3/8-16	129	909116	END COVER
54	909088	SCREW	132	901-03-040-8015	SCREW 1/4-20 X 1/2"
55	904-02-010-1703	5/16 LOCK WASHER	133	406-12-031-0006	SHAFT COVER
56	910987	BELT TRUNNION ASS'Y, INCL.; REF. 57 & 58	136	908996	DISK ROTATION ARROW
57	920-04-020-5348	BEARING	138	908995	GENERAL WARNING LABEL
58	910176	RETAINING RING	139	908994	BELT DIRECTION ARROW
59	901-04-261-4005	5/16-18 X 2 1/2"HEX BOLT	140	910480	2MM X 6MM ROUND HEAD RIVETS
60	904-02-010-1703	5/16 LOCK WASHER			
61	909092	WASHER			
63	905-01-010-2712	SPRING PIN 1/4" X 1 1/4"			
65	SEE CATALOG	6X48 AO BELT 100G			
67	910988	DUST DIVERTER ASS'Y			
70	901-03-010-3331	SCREW #10-24 X 3/4"			
71	902-01-223-1177	CLINCH NUT #10-32			
72	430-04-104-0010	WASHER			
73	909095	BELT TABLE			
74	910989	TBL TRUNNION ASS'Y			
		, INCL.: REF. 75, 76, 77, 78 & 79			
75	1231522	5/32 X 1/2 PIN			
76	418-03-055-0001	KEY			
77	911371	1/4-28 X 1" SET SCREW			
78	1087397	POINTER			
79	901-02-010-0561	#10-32 X 3/8 R H SCREW			
80	909096	5/16-18 X 7/8" HEX HD SCR			

REPLACEMENT PARTS



Ref.	No.	Part No.	Description
	140	910480	2MM X 6MM ROUND HEAD RIVET
	141	908993	SHAFT ROT WARNING LBL
	143	909117	SWITCH BOX
	144	438-01-004-0069	CORD CLAMP
	145	911546	SCREW
	146	908864	SWITCH COVER
	147	911547	#8-18 X .62 BUTTON HD
	148	901-05-183-1142	SCREW #10-32 X 5/8"
	149	1320101	WASHER
	153	901-11-023-1476	SCREW 5/16-18 X 5/8"
	154	904-01-011-5747	WASHER
	155	1343390	WASHER
	156	902-01-210-1072	NUT-LOCK 5/16-18
	157	911904	LONG LEG BRACE
	158	909318	LEG
	159	909320	SHORT LEG BRACE
	160	909322	MOTOR MOUNT PLATE
	161	901-01-060-3130	SCREW 1/2-13 X 3/4"
	162	1342886	WASHER
	163	1347293	NUT-LOCK 1/2-13
	164	901-01-060-0606	SCREW, 5/16 X 18 X5/8"
	165	904-01-011-5747	WASHER
	166	1343390	LOCK WASHER
	167	902-01-210-1072	5/16" NUT
	168	912025	TENNSION BRACKET
	169	901-11-020-0808	SCREW 5/16-18 X 1"
	170	41-033	2-3/4 OD-5/8 B PULLEY 5/16-18
	171	1350307	SCREW 5/16-18 X 1"
	172	904-01-011-5747	WASHER
	173	1343390	WASHER
	174	902-01-210-1072	5/16 - 18 NUT
	175	902-04-010-1403	NUT-WING
	176	911531	5/16-18 X 1/2 SET SCREW
	177	910073	1 1/2 HP SNGL PHASE MOTOR
	178	911379	MOTOR CABLE
	179	911380	MOTOR CABLE
	180	911995	CORD
	181	438-01-017-0206	SWITCH
	182	909115	#10-32 X 1/2 R H SCREW
	183	909315	BELT GUARD

STANDARD SAFETY EQUIPMENT

In order to promote tool safety, Delta Machinery strictly enforces the policy of repairing or replacing any damaged or missing standard safety equipment on machines presented to Delta Authorized Service Centers for service/repairs. Any product that is presented to a Delta Authorized Service Centers for repairs which contains missing or damaged standard safety equipment will have that equipment repaired or replaced and the customer will be charged for any such service/repairs. Customers can avoid such charges only if the missing safety component is supplied to the service center at the time of repair.