

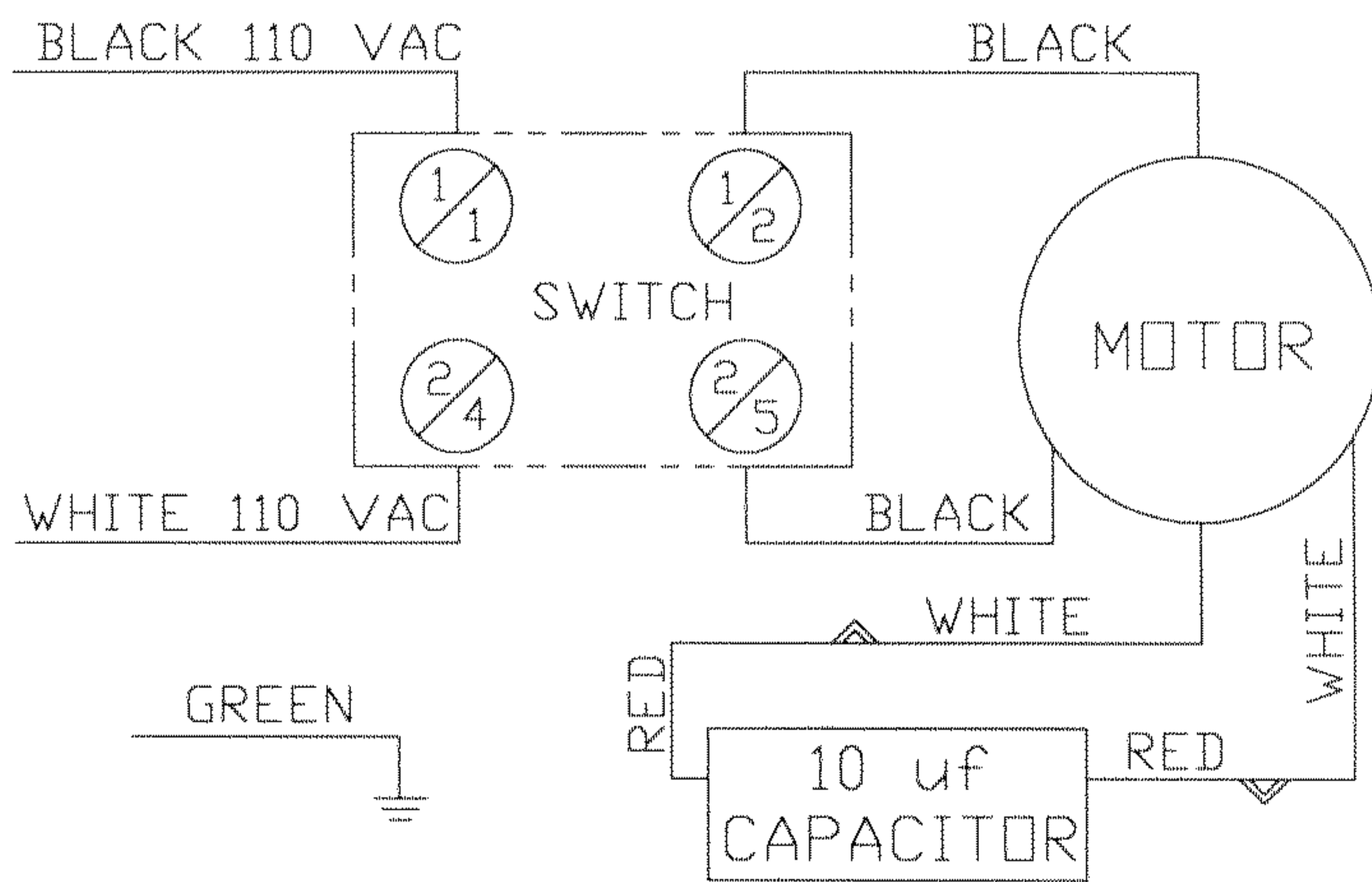
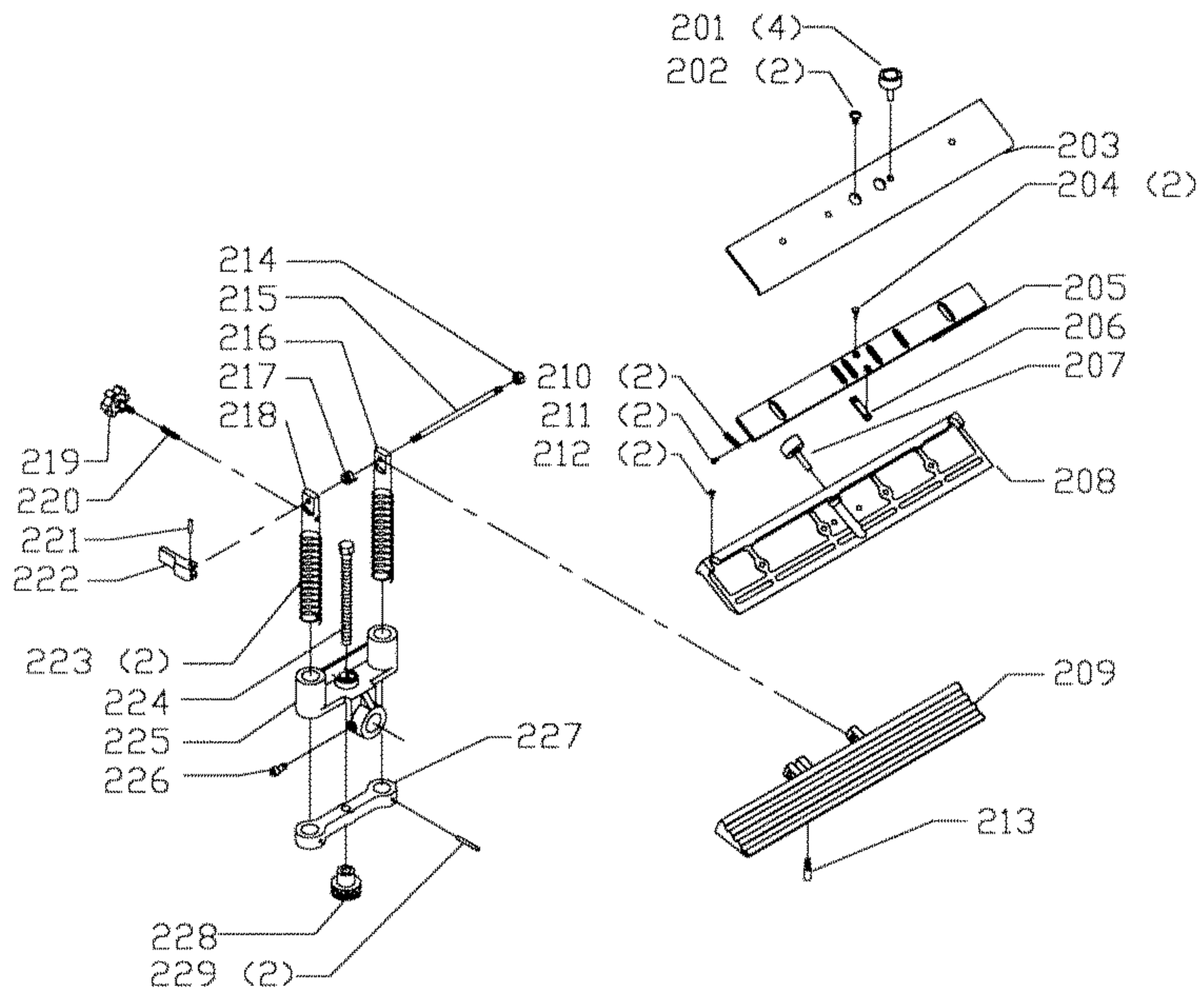
# REPLACEMENT PARTS

<u>REF. NO.</u>	<u>PART NUMBER</u>	<u>DESCRIPTION</u>	<u>REF. NO.</u>	<u>PART NUMBER</u>	<u>DESCRIPTION</u>
*	1348219	CHISEL HOLDER ASSY, <i>CONST OF:</i>	58	1246157	(DIN 7980) M8.1 LOCK WASHER
1	1348212	KNOB	59	1246034	(DIN 933) M8 X 20MM HEX HD SCR
2	1348213	PLATE	60	428-07-101-0002	6MM HEX WRENCH
3	1348214	GUIDE	61	1348217	WRENCH
4	1246045	(DIN 84) M6 X 10MM CHEESE HD SCR	62	1348218	DRESSING STONE
5	1348215	STOP SLIDE	63	1320005	#10-24 X 3/8" TRUSS HD SCR
6	1345979	(DIN 913) M6 X 45MM HEX SOC SET SCR	64	1243501	(DIN 84) M4 X 10MM CHEESE HD SCR
7	1348216	SLIDE PLATE	65	1348189	GASKET
9	1246081	(DIN 1481) M6 X 40MM SPRING PIN, <i>EMO</i>	66	1348188	BASE
10	1348221	ROD, <i>EMO</i>	67	1348194	GASKET
11	1348222	BRACKET, <i>EMO</i>	68	1348193	SWITCH PLATE
12	1243526	(DIN 125) M8.4 FLAT WASHER, <i>EMO</i>	69	1348195	POWER SWITCH
13	1310216	(DIN 6797A) M8.4 EXT TOOTH WASHER, <i>EMO</i>	70	1320003	#10-24 X 1/4" TRUSS HD SCR
14	1348223	LOCK LEVER, <i>EMO</i>	71	1320217	PAD
15	1348224	KNOB, <i>EMO</i>	72	1320087	FLAT WASHER
16	1348225	SPRING, <i>EMO</i>	73	901-02-010-0525	#10-24 X 1/2" ROUND HD SCR
17	1348171	SCR, <i>EMO</i>	74	1348191	CAPACITOR 10UF
18	1348175	SHAFT, <i>EMO</i>	75	1348192	CLAMP
*	1342395	TOOL REST ASSY, <i>CONST OF:</i>	76	1320102	(DIN 6797A) M4.3 EXT TOOTH WASHER
19A	1310216	(DIN 6797A) M8.4 EXT TOOTH WASHER	77	1320005	#10-24 X 3/8" TRUSS HD SCR
19B	1243526	(DIN 125) M8.4 FLAT WASHER	78	1348196	COVER PLATE
19C	1243530	(DIN 912) M8 X 30MM HEX SOC HD SCR	79	904-01-010-1602	3/16" FLAT WASHER
20	1348220	GUIDE	80	1320005	#10-24 X 3/8" TRUSS HD SCR
20A	1246062	(DIN 1481) M6 X 32MM SPRING PIN	81	1348187	STRAIN RELIEF
21A	1348166	KNOB	82	1348190	PLATE
21B	1246140	(DIN 125) M6.4 FLAT WASHER	83	901-02-010-0525	#10-24 X 1/2" ROUND HD SCR
21C	1348167	SPRING	84	1320101	(DIN 6797A) M5.3 EXT TOOTH WASHER
22	1342396	ROD	85	1348186	POWER CORD
23A	1348171	SCR	86	1243520	(DIN 7980) M6.1 LOCK WASHER
23B	1342397	BRACKET	87	1243456	(DIN 934) M6 HEX NUT
23C	1342401	SHAFT	88	1320175	CONNECTOR
24A	1342398	SPRING	89	1348197	LOCK NUT, <i>EMO</i>
24B	1246028	EXT RET RING			(SEE NOTE A)
25A	1243530	(DIN 912) M8 X 30MM HEX SOC HD SCR	89A	1348198	SPACER, <i>EMO</i>
25B	1342399	ADJUSTING NUT			(SEE NOTE A)
26A	1246147	(DIN 1481) M3 X 14MM SPRING PIN	90	1349912	LOCK NUT, <i>INCL: CMO</i>
26B	1342400	STUD			(SEE NOTE A)
27	1348171	SCR	90A	1341007	O-RING, <i>CMO</i>
28	1246098	(DIN 912) M5 X 16MM HEX SOC HD SCR			(SEE NOTE A)
29	1348177	COVER	91	23-712	WET GRINDING WHEEL
30	1320074	.50-12 LEFT HAND NUT	92	1348199	WHEEL FLANGE
31	1320201	FLANGE	93	1348200	KNOB
32	23-713	DRY GRINDING WHEEL	94	1348201	WATER TRAY
33	1348178	DRIVE FLANGE	95	1348202	SPLASH GUARD
34	1348179	WHEEL GUARD	96	1348203	SPLASH GUARD
35	1330147	(DIN 912) M8 X 40MM HEX SOC HD SCR	97	1246098	(DIN 912) M5 X 16MM HEX SOC HD SCR
36	1348180	(DIN 1481) M8 X 16MM SPRING PIN	98	1348204	TRAY
37	902-01-120-1034	1/4-20 HEX NUT	99	1246196	EXT RET RING
38	1320424	EYESHIELD	100	422-31-139-0002	BALL BEARING
39	1320087	FLAT WASHER	101	1348205	SHAFT
40	902-01-120-1216	#10-24 HEX NUT	102	1348206	(DIN 1481) M4 X 30MM SPRING PIN
41	901-02-010-0525	#10-24 X 1/2" ROUND HD SCR	103	1348207	GEAR
42	901-11-020-0821	1/4-20 X 3/4" CARRIAGE HD SCR	104	1348208	HOUSING
43	1320426	FRAME	105	1243336	(DIN 912) M6 X 20MM HEX SOC HD SCR
44	1320423	ROD	106	1347567	(DIN 1481) M4 X 18MM SPRING PIN
45	1320422	BRACKET	107	1348209	WORM GEAR
46	904-02-010-1703	5/16" LOCK WASHER	108	1348210	COVER
47	1343841	KNOB W/STUD	109	1310162	(DIN 85) M5 X 12MM PAN HD SCR
48	1348181	MOTOR ASSY, <i>INCL:</i>	110	422-31-139-0002	BALL BEARING
49	1348182	WARNING LABEL	111	1246196	EXT RET RING
54	1246034	(DIN 933) M8 X 20MM HEX HD SCR	112	1348171	SCR
55	1243526	(DIN 125) M8.4 FLAT WASHER	113	1342402	TOOL CLAMP
56	1348184	TOOL REST	114	1343538	(DIN 7980) M5.1 LOCK WASHER
57	1348185	SUPPORT	115	1343923	(DIN 7981B) M5.5 X 10MM PAN HD SCR
			116	1342403	WRENCH

\* NOT SHOWN ASSEMBLED  
 EMO = EARLY MODELS ONLY  
 CMO = CURRENT MODELS ONLY

**NOTE A:** WHEN REPLACING ITEMS 89 OR 89A (EARLY MODELS ONLY), REPLACE AS A SET WITH ITEMS 90 AND 90A (CURRENT MODELS ONLY)

AVAILABLE AS AN ACCESSORY



## REPLACEMENT PARTS

<u>REF. NO.</u>	<u>PART NUMBER</u>	<u>DESCRIPTION</u>
*	23-715	PLANER/JOINTER KNIFE JIG, CONST OF:
201	1348151	KNOB
202	1348152	SPECIAL SCR
203	1348153	CLAMP PLATE
204	1348155	(DIN 7985) M2 X 6MM PAN HD SCR
205	1348154	SLIDE PLATE
206	1348156	KEY
207	1348161	KNOB
208	1348157	SLIDE BASE
209	1348158	GUIDE TABLE
210	1348160	SPRING
211	1310016	5MM DRIVE SCR
212	1246000	(DIN 84) M3 X 6MM CHEESE HD SCR
213	1348159	PIN
214	1343642	(DIN 985) M6 LOCK NUT
215	1348162	SHAFT
216	1348163	ROD
217	1348164	SPRING
218	1348165	ROD W/HOLE
219	1348166	KNOB
220	1348167	SPRING
221	1246147	(DIN 1481) M3 X 14MM SPRING PIN
222	1348168	LEVER
223	1348172	SPRING
224	1348169	(DIN 933) M10 X 120MM HEX HD SCR
225	1348170	BRACKET
226	1348171	SCR
227	1348173	BEAM
228	1348174	KNOB
229	1348176	(DIN 1481) M4 X 32MM SPRING PIN

\* NOT SHOWN ASSEMBLED

### STANDARD SAFETY EQUIPMENT

In order to promote tool safety, Delta International Machinery Corp. strictly enforces the policy of repairing or replacing any damaged or missing standard safety equipment on machines presented to Delta Authorized Service Centers for service/repair. Any product which is presented to a Delta Authorized Service Center for repairs which contains missing or damaged standard safety equipment will have that equipment repaired or replaced and the customer will be charged for any such service/repairs. Customers can avoid such charges only if the missing safety component is supplied to the service center at the time of repair.

This parts list is provided to aid in obtaining service parts. Copies of the instruction and maintenance literature can be obtained through the Delta Technical Publications Department or through your local service outlet.