

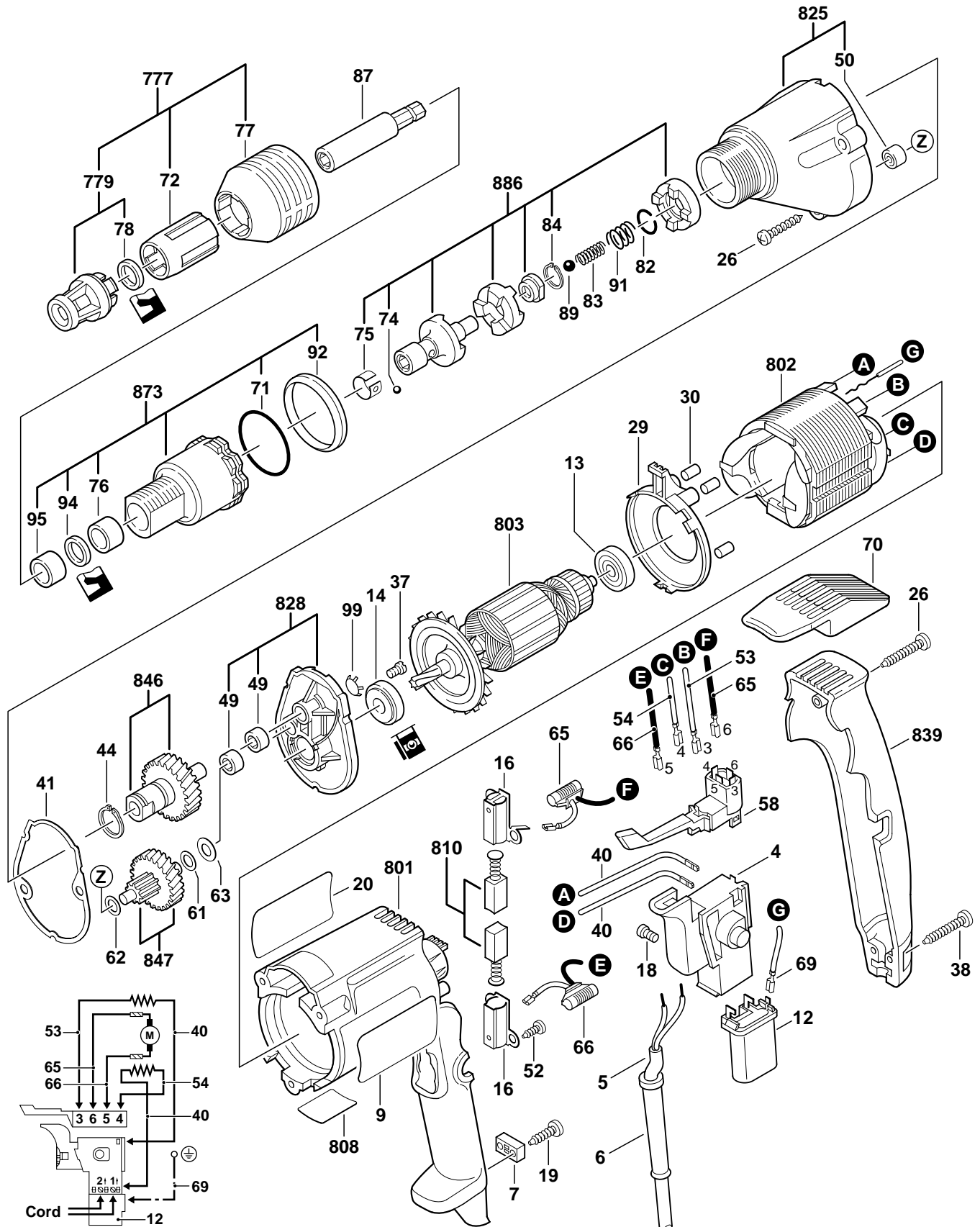
BOSCH

August 1997
220V - 230V

DRYWALL DRIVER

Model 0601421703

GSR 6-25 TE



GSR 6-25 TE DRYWALL DRIVER

Pos.	Part Number	Description {Qty}	F/C	Pos.	Part Number	Description {Qty}	F/C
4	2 607 200 202	Switch VS	17	74	1 903 230 006	Ball 3.5mm	66
5	1 604 460 046	Cord 230V	11	75	3 600 034 504	Spring Clip	9
6	2 600 703 012	Strain Relief	11	76	3 600 301 508	Bushing	82
7	2 601 035 001	Cord Clamp	89	77	3 600 390 502	Locking Ring	91
9	9 920 490 131	Label "GSR 6-25 TE"	9	78	3 600 290 502	Seal	77
12	2 607 329 114	Capacitor	14	82	3 600 200 516	Spring Retainer	89
13	1 900 905 018	Ball Bearing	60	83	3 604 613 507	Spring	27
14	2 600 905 021	Ball Bearing	61	84	3 600 118 502	Retaining Ring	89
16	2 604 337 003	Brush Holder {2}	25	87	3 603 008 500	Bit Holder	9
18	2 603 410 001	Screw {2}	89	89	1 903 230 011	Ball 6mm	66
19	2 910 611 019	Screw {2}	89	91	3 604 613 506	Spring	27
20	9 920 490 130	Label "Caution"	9	92	3 600 113 506	Insulating Sleeve	9
26	2 910 615 082	Screw {4}	89	94	3 600 290 503	Seal	77
29	3 600 590 505	Baffle	24	95	3 600 301 510	Bushing	82
30	3 602 391 503	Rubber Buffer {3}	24	99	3 600 171 504	Lock Washer	89
37	2 914 411 045	Screw {2}	89	777	3 600 552 509	Depth Guage Assembly w/pos. 72, 77, 779	91
38	2 910 615 022	Screw {2}	89	779	3 600 552 505	Depth Guage w/pos. 78	91
40	2 604 448 005	Cable 130mm {2}	10	801	3 605 108 559	Motor Housing	71
41	3 601 016 502	Gasket	79	802	2 604 220 392	Field 230V	22
44	2 916 650 003	Retaining Ring	89	803	2 604 010 803	Armature w/Fan 230V	AW
49	3 600 910 505	Needle Bearing {2}	56	808	3 601 119 764	Nameplate	9
50	3 600 910 506	Needle Bearing	56	810	2 604 321 914	Brush Set	26
52	2 910 611 405	Screw {4}	89	825	3 605 190 518	Gear Housing Assembly w/pos. 50	72
53	2 604 448 074	Cable 98mm	10	828	3 605 806 537	Intermediate Plate Assy. w/pos. 49	38
54	2 604 448 100	Cable 68mm	10	839	3 605 133 521	Handle Cover	74
58	2 607 200 338	Switch REV.	16	846	3 606 120 566	Drive Shaft w/Gear	32
61	2 600 100 607	Shim 0.3mm	65	847	3 606 319 522	Gear w/Pinion	31
62	2 600 101 654	Washer	65	873	3 605 190 520	Clutch Housing Assembly w/pos. 71, 76, 92, 94, 95	82
* 63	2 600 100 628	Shim 0.5mm	65	886	3 606 441 503	Clutch Kit w/pos. 74, 75, 84	46
65	2 604 465 086	Choke Coil	10				
66	2 604 465 097	Choke Coil	10				
69	2 604 448 103	Cable 170mm	10				
70	3 600 690 505	Belt Clip	9				
71	3 600 210 506	O-Ring	78				
72	3 600 360 505	Adjusting Sleeve	91				

Service Notes: