

BOSCH

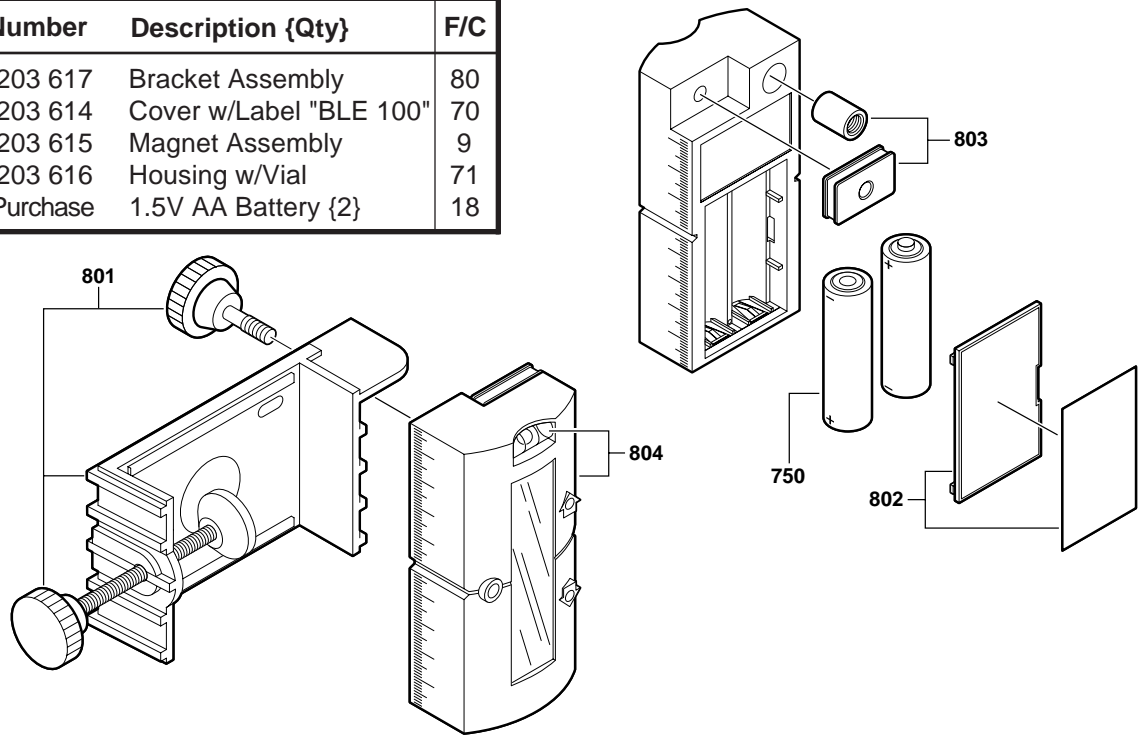
April 1998
INDUSTRIAL

LASER DETECTOR

Model 0601096963

BLE 100

Pos.	Part Number	Description {Qty}	F/C
801	1 609 203 617	Bracket Assembly	80
802	1 609 203 614	Cover w/Label "BLE 100"	70
803	1 609 203 615	Magnet Assembly	9
804	1 609 203 616	Housing w/Vial	71
750	Local Purchase	1.5V AA Battery {2}	18



BOSCH

April 1998
INDUSTRIAL

REMOTE CONTROL

Model 0601096962

BLF 10

Pos.	Part Number	Description {Qty}	F/C
801	1 601 118 635	Nameplate "BLF 10"	9
802	1 609 203 612	Battery Cover w/Screw	70
804	1 609 203 613	Housing Assembly	71
750	Local Purchase	1.5V AA Battery {2}	18
N/A	Not Available Separately		

