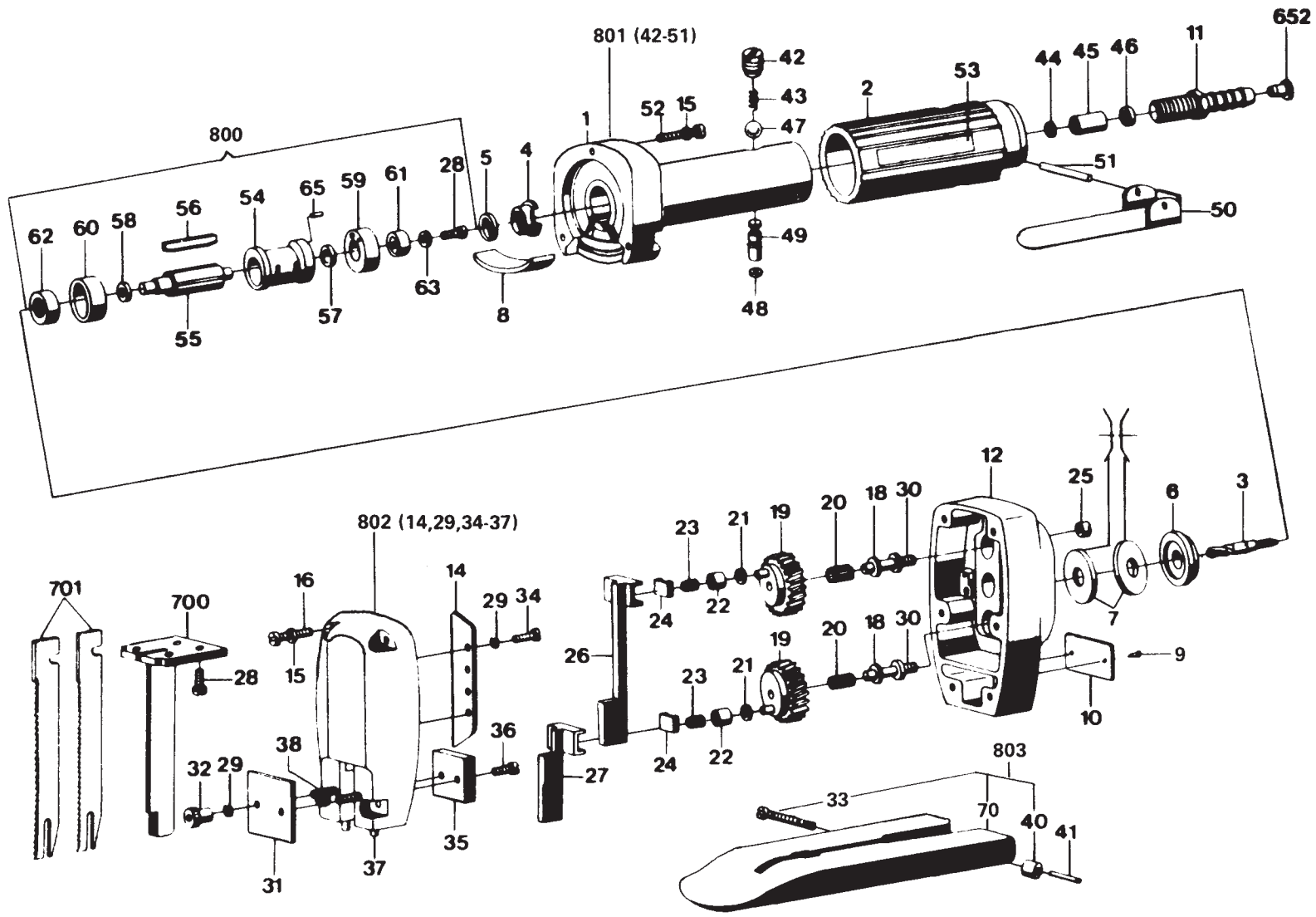


# Parts List

## AIR FOAM RUBBER CUTTER 7595

Issued: September, 1983



Model No.	IBM Number
7595	0 607 595 100

7595

Air Foam Rubber Cutter 7595 (Cont'd)

POS. NO.	PART NO.	PCS/UNIT	DESCRIPTION	POS. NO.	PART NO.	PCS/UNIT	DESCRIPTION
1	See Pos. 801	1	Motor housing	46	2 600 002 006	1	Strainer
2	2 600 723 012	1	Housing	47	1 903 230 024	1	Ball
3	2 606 302 022	1	Pinion	48	2 600 210 007	1	O-ring
4	2 600 521 012	1	Thrust spring	49	2 603 105 019	1	Locking bolt
5	2 600 210 004	1	O-ring	50	2 601 902 001	1	Control lever
6	2 600 120 045	1	Thrust spring	51	2 917 500 083	1	Straight pin
7	2 600 550 006	2	Disc spring	52	2 910 011 130	3	Fillister head screw
8	2 601 010 051	1	Silencer	53	1 601 110 008	2	Label
9	3 603 133 000	2	Drive rivet	54	2 605 110 112	1	Stator
10	3 601 100 001	1	Name plate blank	55	2 604 090 017	1	Rotor
11	2 603 386 001	1	Hose fitting	56	2 601 073 010	4	Rotor vane
12	2 605 806 305	1	Gear housing	57	2 600 103 001	1	Spacer ring
15	2 916 690 003	7	Spring lock/washer	58	2 600 202 014	1	Spacer ring
16	2 910 021 128	4	Fillister head screw	59	2 600 220 012	1	Support ring
18	2 600 100 611	1	Shim 0.10mm,as required	60	2 600 220 013	1	Support ring
18.1	2 600 100 612	1	Shim 0.20mm,as required	61	2 600 905 009	1	Deep-groove ball bearing
18.2	2 600 100 613	1	Shim 0.50mm,as required	62	1 900 905 023	1	Deep-groove ball bearing
19	2 606 319 007	2	Cylindrical gear	63	2 916 011 010	1	Plain washer
20	3 600 910 000	2	Needle-roller cage	65	2 917 500 032	1	Straight pin
21	2 600 100 586	1	Shim 0.20mm,as required	68	See Pos. 802	1	Gear cover
21.1	2 600 100 587	1	Shim 0.30mm,as required	70	See Pos. 803	1	Base plate
21.2	2 600 100 588	1	Shim 0.50mm,as required	650 -	2 601 030 010	1	Scraper
22	2 600 300 005	2	Needle roller	651A -	2 607 959 000	1	Screwdriver
23	2 603 201 037	22	Bearing pin	652	2 603 203 034	1	Plug
24	2 601 320 018	2	Retaining bracket	700A	2 608 135 023	1	Guide, 3"
25	2 603 341 007	2	Round nut	701A	2 607 018 013	1	Saw blade set 3"
26	2 602 305 016	1	Lifting rod	702A -	2 608 135 020	1	Guide 5"
27	2 602 305 014	1	Lifting rod	703A -	2 607 018 010	1	Saw blade set 5"
28	2 910 021 118	3	Fillister head screw	704A -	2 608 135 021	1	Guide 8"
29	2 916 690 002	2	Spring lock/washer	705A -	2 607 018 011	1	Saw blade set 8"
30	2 603 520 010	2	Bearing pin	706A -	2 608 135 022	1	Guide 12"
31	2 601 034 010	1	Cover plate	707A -	2 607 018 012	1	Saw blade set 12"
32	2 603 345 000	2	Knurled nut	708A -	2 608 133 000	1	Blade sharpener w/whetstone
42	2 603 463 025	1	Screw plug	800	2 607 219 900	1	Pneumatic motor w/pos.28, 54-63
43	2 604 611 019	1	Compression spring	801	2 605 110 901	1	Motor housing w/Pos. 42-51
44	2 600 206 004	1	Seal ring	802	2 605 500 007	1	Gear cover with pos. 14, 29, 34-37
45	2 600 309 000	1	Mounting sleeve	803A	2 608 000 010	1	Foot plate w/Pos 33,40,70

A = Accessory  
 - = Not illustrated