

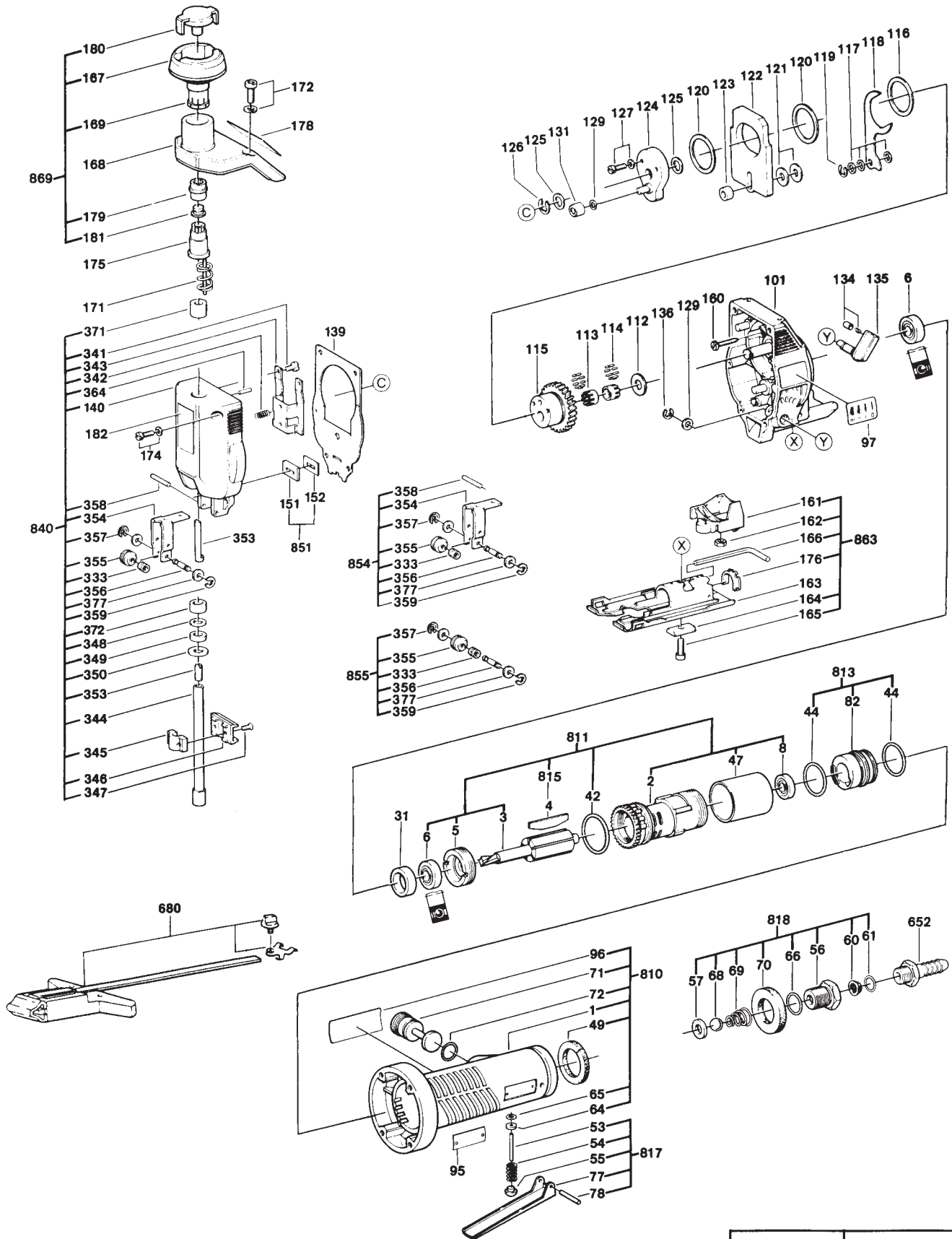


# BOSCH

# PNEUMATIC "CLIC" JIGSAW 7561-118

## AIR OPERATED - 90 PSI

## PARTS LIST—ISSUED OCTOBER 1991



MODEL NO.	IBM NUMBER
7561-118	060 7561 118

Pneumatic "Clic" Jigsaw 7561-118

POS. NO.	PART NO.	QTY.	DESCRIPTION	POS. NO.	PART NO.	QTY.	DESCRIPTION
1	3 605 108 084	1	Motor housing	161	3 605 500 035	1	Cover w/Pos #162
2	3 604 090 046	1	Stator	162	2 915 011 007	2	Nut
3	3 604 220 047	1	Rotor	163	2 601 016 903	1	Foot plate w/Pos #176
4	3 601 165 014	4	Rotor vane	164	2 601 030 019	1	Plate
5	3 605 700 076	1	Bearing flange	165	2 910 141 197	1	Screw
7	3 600 905 039	2	Ball bearing	A166	1 907 950 006	1	Allen wrench 5mm
8	1 900 905 028	1	Ball bearing	167	See Pos #869	1	Handle cap
31	3 600 200 010	1	Sleeve	168	3 605 703 057	1	Cover
42	2 600 210 019	1	O-ring	169	See Pos #869	1	Handle
44	2 600 210 018	2	O-ring	171	2 604 617 003	1	Spring
47	3 600 700 032	1	Spigot	172	2 914 501 023	2	Screw/washer
49	3 601 010 006	1	Silencer	174	2 914 501 012	6	Screw/washer
53	3 603 201 050	1	Pin	175	2 606 491 001	1	Coupling
54	3 604 611 006	1	Spring	176	2 601 328 044	1	Scale plate
55	3 603 132 000	1	Valve cone	178	2 601 110 930	1	Label
56	3 603 458 008	1	Fitting	179	See Pos #869	1	Ratchet
57	3 600 206 006	1	Gasket	180	See Pos #869	1	Button
60	3 600 002 000	1	Strainer	181	See Pos #869	1	Pin
61	1 900 210 306	1	O-ring	182	2 601 110 764	1	Label
64	2 916 011 006	1	Washer	333	See Pos #855	1	Needle bearing
65	2 600 210 007	1	O-ring	341	2 603 410 042	2	Screw
66	3 600 210 036	1	O-ring	342	2 604 613 000	2	Spring
68	1 903 230 528	1	Ball	343	2 601 322 010	1	Bow
69	3 604 616 008	1	Spring	344	2 600 780 012	1	Plunger
70	3 600 105 002	1	Silencer	345	2 602 329 011	1	Saddle
71	3 608 750 028	1	Plunger	346	2 601 321 017	1	Clamp
72	1 900 210 107	1	O-ring	347	2 603 421 040	2	Screw
77	3 601 902 001	1	Lever	348	2 600 112 031	1	Washer
78	2 917 700 040	1	Pin	349	2 600 290 017	1	Ring
82	3 608 750 020	1	Flange	350	2 600 101 612	1	Shim 0.5mm
95	1 601 106 999	1	Name plate	353	2 603 490 006	1	Locking screw
96	3 601 110 039	1	Label	354	See Pos #854	1	Lever
97	2 601 110 055	1	Label "Orbital"	355	See Pos #855	1	Roller
101	3 605 808 008	1	Gear housing	356	See Pos #855	1	Axle
112	2 600 101 616	1	Shim 0.5mm	357	2 600 116 011	1	Circlip
113	2 600 913 036	2	Needle cage	358	2 917 530 101	1	Pin
114	2 603 201 037	20	Needle	359	2 916 080 906	1	Circlip
115	2 606 320 025	1	Gear	364	1 903 201 042	2	Pin
116	2 600 102 653	1	Shim 1.0mm	371	2 600 301 046	1	Bushing
*117	2 600 100 515	1	Shim 0.3mm	372	2 600 301 045	1	Bushing
*117.1	2 600 100 516	1	Shim 0.5mm	377	2 600 100 032	2	Shim
118	2 601 923 004	1	Fork lever	652	3 603 386 000	1	Air fitting
119	2 916 080 907	1	Circlip	A653	3 607 000 000	1	Exhaust silencer hose
120	2 600 102 652	2	Shim 0.5mm	A655	2 607 010 079	1	Anti-splinter devise
*121	2 600 100 625	1	Shim 0.1mm	A680	2 607 001 069	1	Cutting guide
*121.1	2 600 100 626	1	Shim 0.2mm	810	3 607 030 123	1	Motor housing w/Pos # 1, 49, 64, 65, 71, 72, 96
*121.2	2 600 100 627	1	Shim 0.3mm	811	3 607 030 124	1	Motor w/Pos # 2, 3, 4, 5, 6, 8, 42, 47
*121.3	2 600 100 628	1	Shim 0.5mm	813	3 607 030 028	1	Exhaust filter w/Pos # 44, 82
122	2 601 098 003	1	Counterweight	815	3 607 030 030	1	Rotor vane set (5 pcs.)
123	2 600 309 009	1	Sleeve	817	3 607 030 032	1	Lever w/Pos # 53, 54, 55, 77, 78
124	2 601 072 901	1	Eccentric	818	3 607 030 033	1	Control valve w/Pos # 56, 57, 60, 61, 66, 68, 69, 70
*125	2 600 100 575	1	Shim 0.2mm	840	2 605 808 920	1	Gear cover w/Pos #140, 333-377, 854
*125.1	2 600 100 576	1	Shim 0.3mm	851	2 601 015 901	1	Gasket w/Pos #151, 152
*125.2	2 600 100 577	1	Shim 0.5mm	854	2 601 321 902	1	Roller lever w/Pos #151, 152, 333, 354-359, 377
126	2 916 080 910	1	Circlip	855	2 600 326 903	1	Roller w/Pos # 333, 355, 356, 357, 359, 377
127	2 914 501 028	2	Screw/washer	863	3 607 030 131	1	Foot plate w/Pos # 161-166, 176
*129	2 600 100 568	1	Shim 0.5mm	869	2 602 026 900	1	Handle w/Pos # 167, 169, 179, 180, 181
*129.1	2 600 100 569	1	Shim 1.0mm				
*129.2	2 600 100 607	1	Shim 0.3mm				
131	2 600 917 900	1	Bearing ass'y				
134	2 600 590 006	1	Cap/spring				
135	2 602 026 036	1	Lever				
136	2 916 080 908	1	Circlip				
139	2 601 015 050	1	Gasket				
140	See Pos #840	1	Gear cover				
151	See Pos #851	1	Gasket				
152	See Pos #851	1	Plate				
160	2 910 611 020	4	Screw				
					2601322021		Blade Guard

<b>BOSCH</b>	April 1999	<b>Section 7 - Saws</b>	model(s) affected
	<b>TECHNICAL BULLETIN</b>	"Roller Guide Service"	<b>Various</b>

To: All Authorized and Factory Service Centers,  
Field Sales and Internal Support Personnel

Re: Roller Guide Service for models

1581	(060 1581 234)	1584VS	(060 1584 639)
1581VS	(060 1581 534)	1584AVS	(060 1584 651)
1581AVS	(060 1581 666)	1584DVS	(060 1584 839)
1581DVS	(060 1581 434)	1587VS	(060 1587 639)
1581DVS	(060 1581 934)	1587AVS	(060 1587 651)
1582	(060 1582 234)	1587DVS	(060 1587 839)
1582VS	(060 1582 534)	B4200	(060 1581 535)
1582DVS	(060 1582 934)	B4201	(060 1587 635)
7561-118	(060 7561 118)	B4300	(060 1582 535)
		B4301	(060 1584 635)

Please insert this bulletin into the "Technical Bulletins" section of your Bosch Parts Manual, only after making any additions or notes to your Illustrated Parts List(s).

Please be advised that part number 2600 326 903 Roller Assembly (pos. 855 on Illustrated Parts Lists) is no longer available. A change was made that affects this parts interchangeability with older tools.

Please use part number 2601 321 902\* Roller Guide Assembly (pos. 854 on Illustrated Parts Lists) in place of 2600 326 903. The List Price for 2601 321 902 has been adjusted to \$9.00 effective immediately.

\*For exact models listed above only. Older models not listed may require different assembly number.

All questions should be directed to your Authorized Service Manager.

Product Service Department