



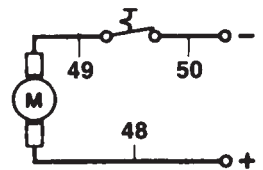
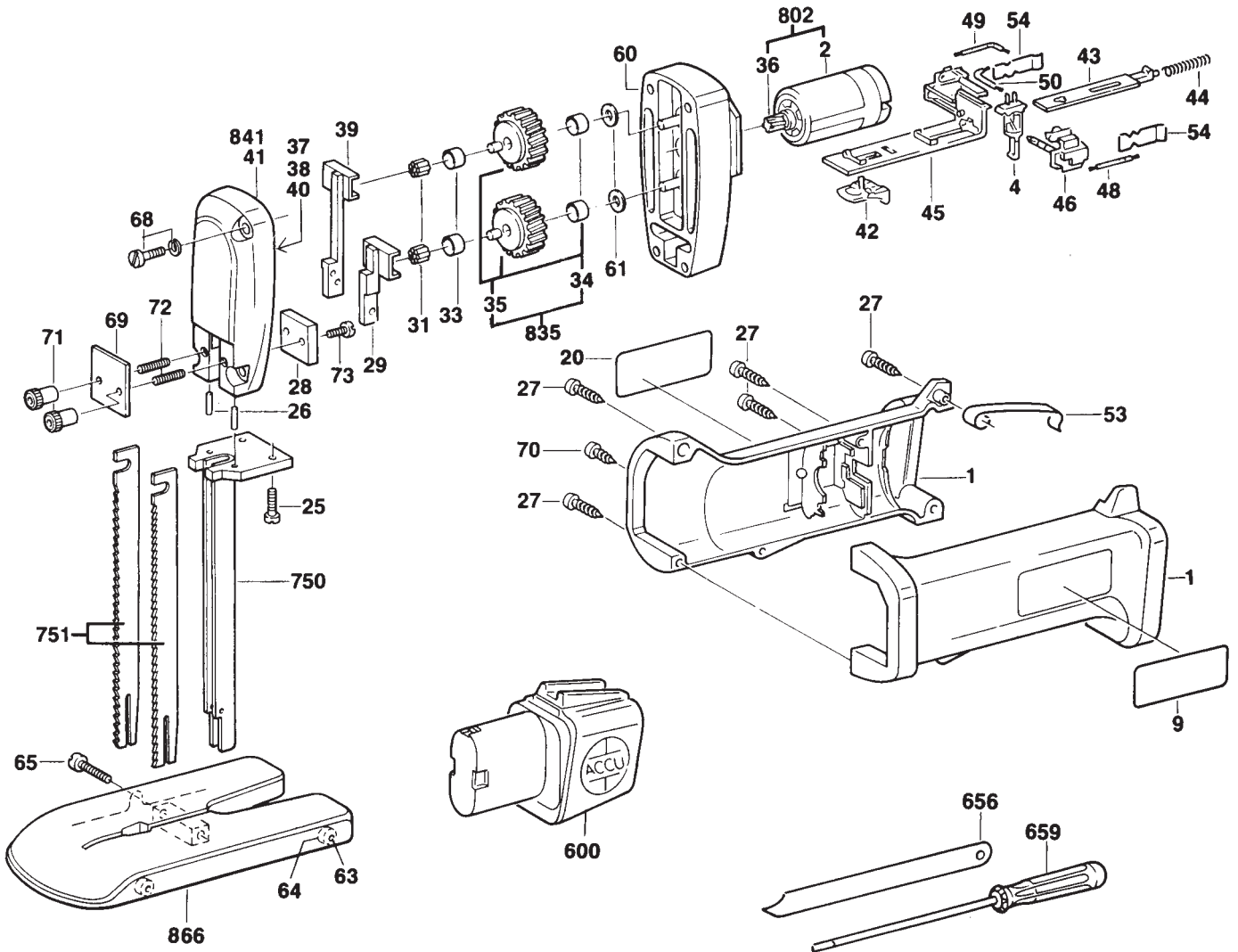
BOSCH

CORDLESS FOAM CUTTER 1928

PARTS LIST

BATTERY OPERATED

ISSUED JUNE 1990



MODEL NO.	IBM NUMBER	VOLTAGE
1928	060 1928 039	9.6V D.C.

Cordless Foam Cutter 1928

POS. NO.	PART NO.	QTY.	DESCRIPTION	POS. NO.	PART NO.	QTY.	DESCRIPTION
1	2 605 104 300	1	Housing	65	2 910 021 132	1	Screw
2	See Pos #802	1	Motor	68	2 914 501 021	4	Screw/washer
4	2 607 200 196	1	Switch	69	2 601 034 010	1	Cover plate
9	2 601 118 081	2	Label (1928)	70	2 910 611 017	1	Screw
20	2 601 118 070	1	Name plate	71	2 603 345 000	2	Knurled nut
25	2 910 021 118	2	Screw	72	2 603 502 015	2	Screw
26	2 917 500 093	2	Pin	73	2 910 011 084	2	Screw
27	2 910 611 019	5	Screw	A600	3 607 300 500	1	Battery 9.6V
28	2 602 307 001	1	Plate	+ A651	3 605 438 509	1	Metal case
29	2 602 305 014	1	Plunger	656	2 601 030 010	1	Scraper
31	2 600 910 009	2	Bearing	+ A657	2 608 133 000	1	Blade sharpener w/whetstone
33	2 600 300 074	2	Sleeve	A659	2 607 959 000	1	Screwdriver
34	2 600 914 010	2	Bearing	+ A660	3 607 224 500	1	Charger
35	See Pos #835	2	Gear	+ A660.1	2 607 224 010	1	Charger w/auto lighter connector
36	2 606 316 121	1	Gear	A750	2 608 135 023	1	3" guide bar
+ 37	2 916 690 002	8	Lock washer	A750.1	2 608 135 020	1	5" guide bar
+ 38	2 910 011 082	8	Screw	A750.2	2 608 135 021	1	8" guide bar
39	2 602 305 016	1	Plunger	A750.3	2 608 135 022	1	12" guide bar
+ 40	2 601 038 001	2	Guide rail	A751	2 607 018 013	1	3" blade set
41	See Pos #841	1	Housing cover	A751.1	2 607 018 010	1	5" blade set
42	1 602 026 057	1	Switch button	A751.2	2 607 018 011	1	8" blade set
43	2 601 099 028	1	Switch slide	A751.3	2 607 018 012	1	12" blade set
44	1 604 611 026	1	Spring	802	2 607 022 907 9/2	1	Motor ass'y w/Pos #2, 36
45	2 608 018 003	1	Contact plate	835	2 606 316 901	1	Gear/bearing ass'y w/Pos #34, 35 (2 pcs. ea.)
46	2 608 018 001	1	Contact plate	841	2 605 500 007	1	Housing cover ass'y w/Pos #26, 28, 38, 40, 68, 72, 73
48	2 604 412 019	1	Cable 32 mm	866	2 608 000 908	1	Foot plate ass'y w/Pos #63, 64, 65
49	2 604 412 021	1	Cable 52 mm				
50	2 604 412 020	1	Cable 42 mm				
53	2 601 251 003	1	Battery clip				
54	2 601 324 012	2	Contact clip				
60	2 605 806 991	1	Gear housing				
61	2 600 100 627	2	Washer				
63	1 903 201 023	4	Needle				
64	2 600 300 011	4	Roller				

Service Notes