



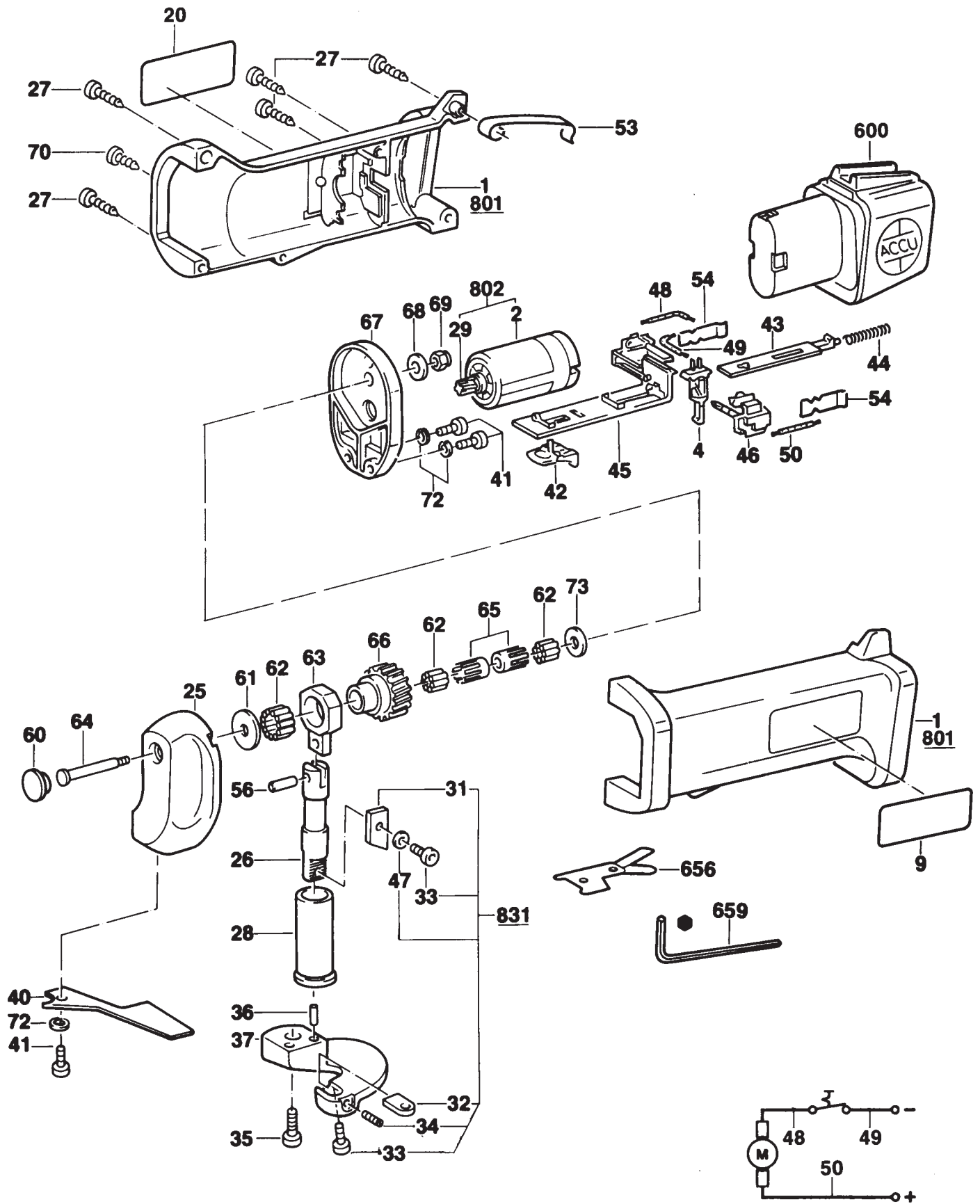
BOSCH

18 GAUGE CORDLESS UNISHEAR 1926

PARTS LIST

BATTERY OPERATED

ISSUED MARCH 1990



MODEL NO.	IBM NUMBER	VOLTAGE
1926	060 1926 039	9.6 V. D.C.

18 Gauge Cordless Unishear 1926

POS. NO.	PART NO.	QTY.	DESCRIPTION	POS. NO.	PART NO.	QTY.	DESCRIPTION
1	See Pos #801	1	Housing	54	2 601 324 012	2	Contact clip
2	See Pos #802	1	Motor	56	2 603 100 000	1	Pin
4	2 607 200 196	1	Switch	60	2 600 522 012	1	Plug
9	2 601 118 065	1	Name plate	61	2 600 100 519	1	Shim
20	2 601 118 080	1	Label (1926)	62	1 903 201 000	44	Needle
25	2 605 806 400	1	Gear housing	63	2 602 001 000	1	Connecting rod
26	2 603 070 005	1	Plunger	64	2 603 151 502	1	Axle
27	2 910 611 019	5	Screw	65	2 600 913 034	2	Cage
28	2 600 422 000	1	Sleeve	66	2 606 316 118	1	Gear
29	2 606 316 117	1	Gear	67	2 605 700 227	1	Flange
31	See Pos #831	1	Blade	68	2 916 011 882	1	Washer
32	See Pos #831	1	Blade	69	2 915 061 002	1	Nut
33	2 910 405 118	2	Screw	70	2 910 611 017	1	Screw
34	2 912 031 084	1	Set screw	72	2 916 690 003	3	Washer
35	2 910 011 158	2	Screw	73	2 600 100 628	1	Shim
36	1 903 201 041	2	Pin	A600	3 607 300 500	1	Battery 9.6V
37	2 608 042 000	1	Foot plate	+ A651	3 605 438 509	1	Metal case
40	2 601 335 004	1	Guard	A656	2 607 970 009	1	Feeler gauge
41	2 910 021 118	3	Screw	A659	1 907 950 004	1	Allen key 3mm
42	1 602 026 057	1	Switch button	+ A660	3 607 224 500	1	Charger
43	2 601 099 028	1	Switch slide	+ A660.1	2 607 224 010	1	Charger w/auto lighter connector
44	1 604 611 026	1	Spring	801	2 605 104 300	1	Housing ass'y
45	2 608 018 003	1	Contact plate	802	2 607 022 907	1	Motor ass'y w/Pos #2, 29
46	2 608 018 001	1	Contact plate	A831	3 607 010 028	1	Blade kit w/Pos #31, 32, 33, 34, 47
47	2 916 011 010	1	Washer				
48	2 604 412 019	1	Cable				
49	2 604 412 021	1	Cable				
50	2 604 412 020	1	Cable				
53	2 601 251 003	1	Battery clip				

SERVICE NOTES