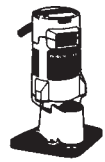
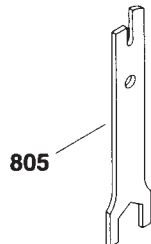
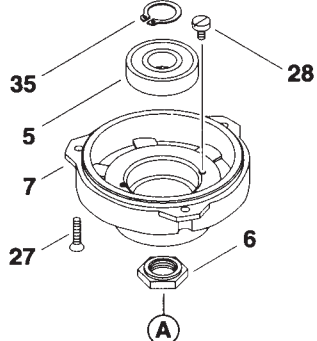
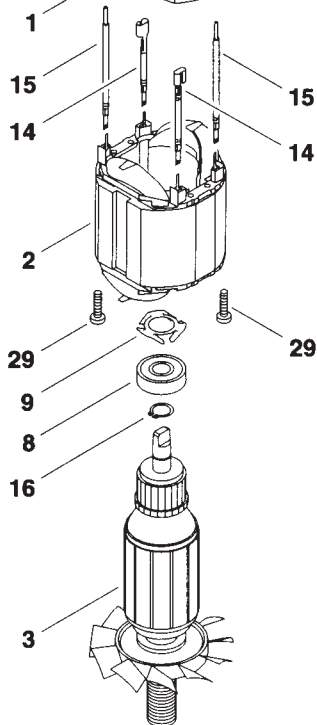
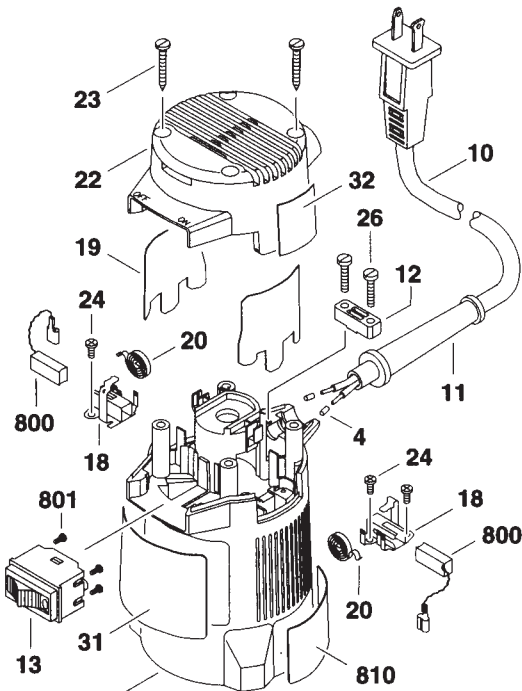
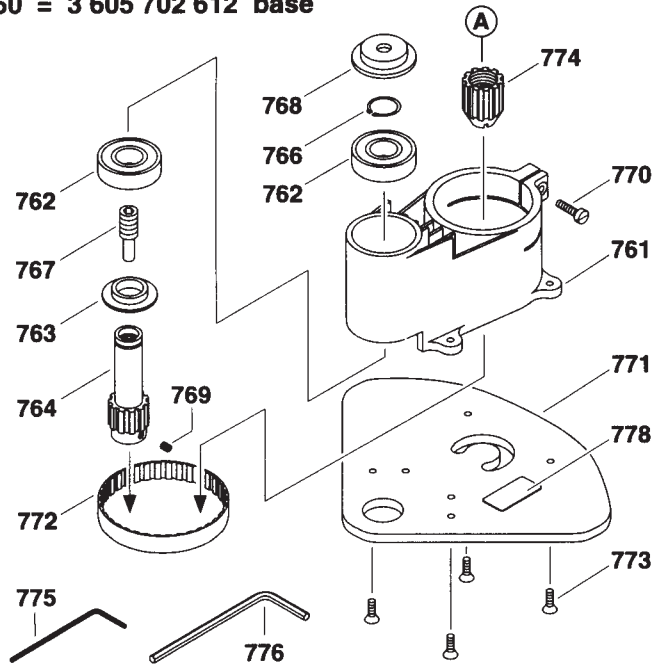
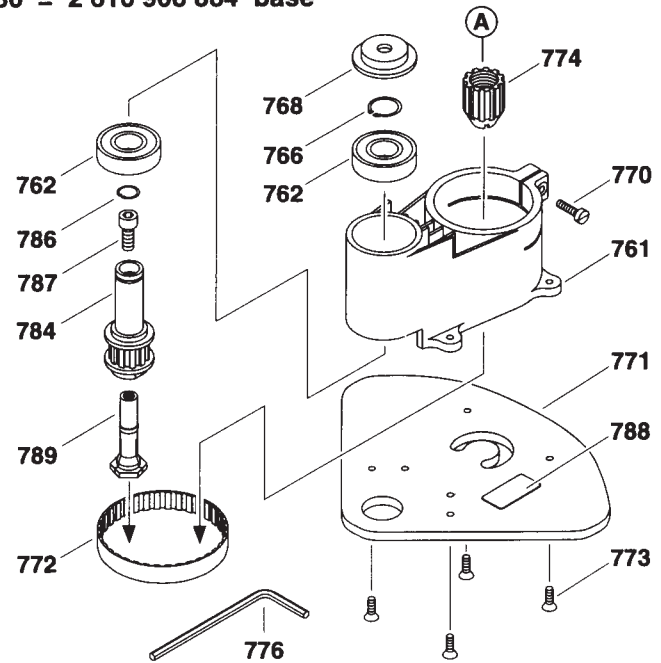


**BOSCH****LAMINATE TRIMMER SERIES 1609****DOUBLE INSULATED 115V****SERVICE PARTS LIST - JANUARY 1995****760 = 3 605 702 612 base****780 = 2 610 908 884 base**

MARKETING NUMBER	MODEL NUMBER
1608M	060 1608 034
1609	060 1609 034
1609A	060 1609 134
1609AK	060 1609 834
1609AKX	060 1609 861
1609K	060 1609 934
1609KX	060 1609 961

1609 LAMINATE TRIMMER SERIES

S-B Power Tool Company 4300 W. Peterson Ave. Chicago, IL 60646-5999

Pos.	Qty	Part number	Description	F/C	Pos.	Qty	Part number	Description	F/C
1	1	3 605 108 573	Motor Housing	71	760	1	3 605 702 612	Offset Base (old design)	9
2	1	1 604 220 196	Field 115V	22				w/pos. 761-778	
3	1	3 604 011 579	Armature w/Fan 115V	AW	761	1	3 605 702 544	Base	88
4	2	1 900 452 012	Terminal Sleeve	11	762	2	1 900 905 131	Ball Bearing	56
5	1	2 610 908 032	Ball Bearing	61	763	1	3 600 144 506	Flange	65
6	1	3 603 311 521	Nut	85	764	1	3 606 120 529	Spindle	52
7	1	3 605 702 573	Bearing Housing	73	766	1	3 600 119 508	Retaining Ring	89
8	1	1 900 905 018	Ball Bearing	60	767	1	3 603 402 500	Stop Screw	89
9	1	3 600 150 501	Washer	65	768	1	3 605 510 542	Dust Cap	9
10	1	3 604 460 555	Cord 115V 18/2	11	769	1	2 912 065 114	Set Screw	89
11	1	2 600 703 013	Strain Relief	11	770	1	2 910 021 122	Screw	89
12	1	2 601 035 001	Cord Clamp	89	771	1	3 601 071 500	Subbase	88
13	1	3 607 200 511	Switch On/Off	15	772	1	3 604 736 506	Drive Belt	50
14	2	3 604 441 501	Cable 50mm	10	773	4	3 603 415 562	Screw	89
15	2	3 604 441 509	Cable 101mm	10	774	1	3 606 625 545	Pulley	36
16	1	2 916 640 004	Retaining Ring	89	775	1	1 907 950 002	Allen Wrench 2mm	9
18	2	2 601 323 021	Brush Holder	25	776	1	1 907 950 005	Allen Wrench 4mm	9
19	2	3 601 033 503	Insulator	9	778	1	3 601 119 609	Label	9
20	2	1 604 652 013	Brush Spring	27	780	1	2 610 908 884	Offset Base (new design)	9
22	1	3 605 500 580	Housing Cover	70				w/pos. 761,762,766,768, 770-774,776,784-789	
23	4	2 910 211 214	Screw	89					
24	4	2 910 611 404	Screw	89	784	1	2 610 909 309	Spindle	52
26	2	2 910 611 019	Screw	89	786	1	2 916 660 042	Retaining Ring	89
27	3	2 910 601 412	Screw	89	787	1	2 910 141 154	Screw	89
28	2	2 914 461 044	Screw	89	788	1	2 610 908 883	Label	9
29	2	2 910 611 006	Screw	89	789	1	2 610 908 877	Collet	91
31	1	2 610 906 897	Label "1609"	9	800	1	1 607 014 128	Brush Set	26
31.1	1	2 610 908 885	Label "1609A"	9	801	4	2 603 410 023	Screw	9
32	1	2 610 907 030	Label "Caution"	9	805	2	9 601 497 907	Wrench	9
35	1	2 916 650 003	Retainer Ring	89	810	1	3 601 119 595	Nameplate	9

SERVICE NOTES: