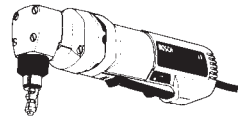




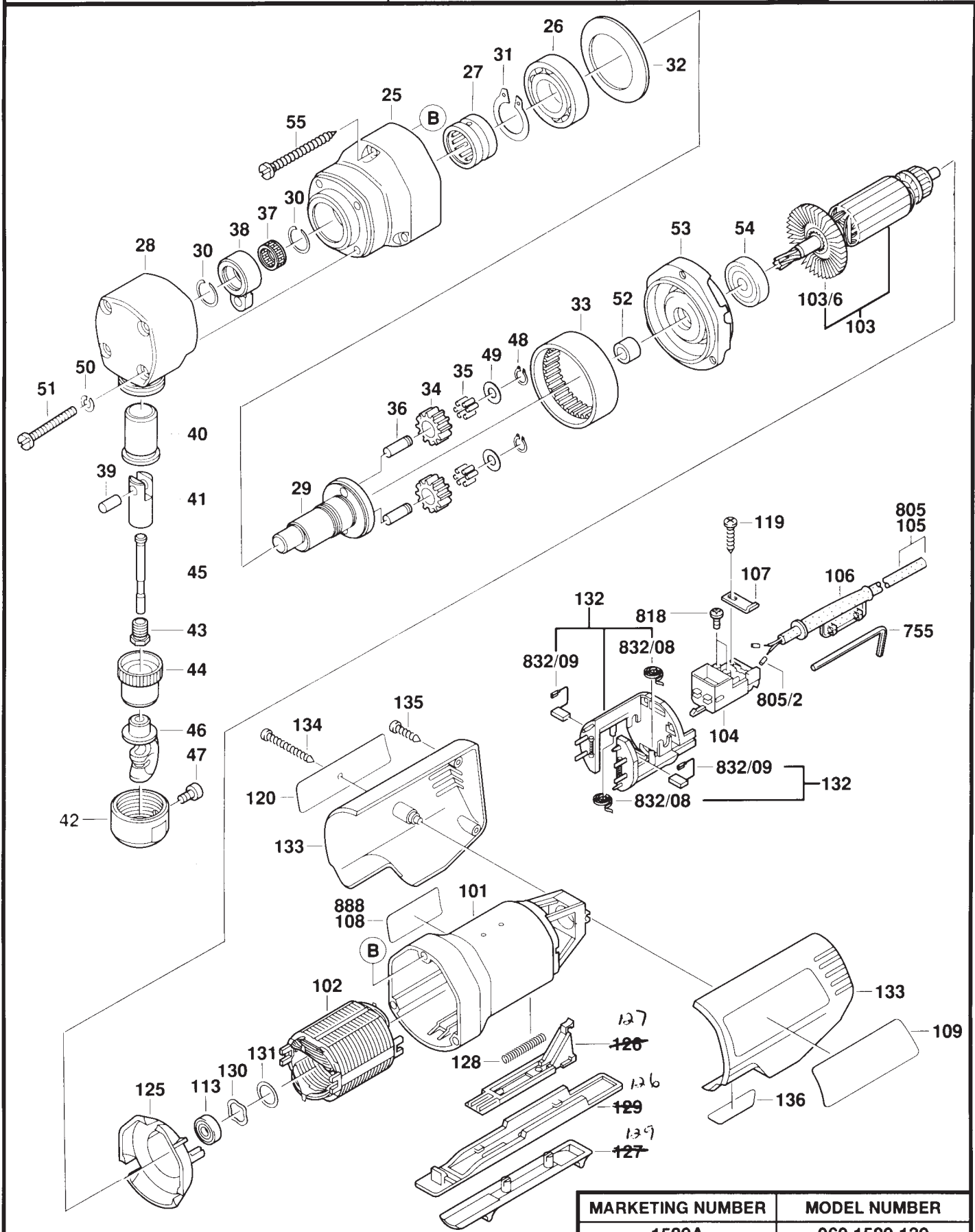
BOSCH

18 GAUGE NIBBLER 1529A



DOUBLE INSULATED 115V

SERVICE PARTS LIST - APRIL 1993



| MARKETING NUMBER | MODEL NUMBER |
|------------------|--------------|
| 1529A | 060 1529 139 |

18 GAUGE NIBBLER 1529A

| Pos. | Qty | Part number | Description | F/C | Pos. | Qty | Part number | Description | F/C |
|-------|-----|---------------|---------------------|-----|--------|-----|---------------|-----------------------|-----|
| 25 | 1 | 2 605 806 306 | Gear Housing | 72 | 104 | 1 | 2 607 200 311 | Switch On/off | 15 |
| 26 | 1 | 1 900 900 274 | Ball Bearing | 51 | 105 | 1 | See pos. 805 | Cord 115V 18/2 | - |
| 27 | 1 | 2 600 914 011 | Needle Bearing | 51 | 106 | 1 | 2 600 703 035 | Strain Relief | 11 |
| 28 | 1 | 2 605 500 064 | Gear Housing Cover | 70 | 107 | 1 | 1 601 302 017 | Cord Clamp | 89 |
| 29 | 1 | See pos. 829 | Eccentric Shaft | - | 108 | 1 | See pos. 888 | Nameplate | - |
| 30 | 2 | 2 600 224 009 | Spring Ring | 89 | 109 | 1 | 3 601 119 100 | Label "1529A" | 9 |
| 31 | 1 | 2 916 650 011 | Retaining Ring | 89 | 113 | 1 | 2 600 905 032 | Ball Bearing | 60 |
| 32 | 1 | 2 600 550 017 | Spring Washer | 65 | 119 | 1 | 2 910 211 219 | Screw | 89 |
| 33 | 1 | 2 606 334 039 | Ring Gear | 32 | 120 | 1 | 3 601 119 095 | Label "Caution" | 9 |
| 34 | 2 | 2 606 316 033 | Eccentric Gear | 34 | 125 | 1 | 2 601 328 002 | Baffle | 24 |
| 35 | 20 | 1 903 201 020 | Needle | 56 | 126 | 1 | 2 608 001 005 | Switch Rocker | 9 |
| 36 | 2 | See pos. 826 | Axle | - | 127 | 1 | 2 608 001 008 | Switch Slide | 9 |
| 37 | 1 | 2 600 913 035 | Needle Bearing | 56 | 128 | 1 | 2 604 611 033 | Spring | 27 |
| 38 | 1 | 2 602 001 001 | Connecting Rod | 57 | 129 | 1 | 2 608 001 010 | Switch Handle | 9 |
| 39 | 1 | 2 603 100 003 | Wrist Pin | 47 | 130 | 1 | 2 600 150 003 | Spring Washer | 89 |
| 40 | 1 | 2 600 422 005 | Bushing | 82 | 131 | 1 | 2 600 101 617 | Shim 0.3mm | 89 |
| 41 | 1 | 2 603 104 001 | Plunger | 52 | 132 | 1 | 2 604 337 050 | Brush Holder Assembly | 25 |
| 42 | 1 | 2 603 314 001 | Nut | 85 | | | | w/pos. 832/08, 832/09 | |
| 43 | 1 | 2 603 455 006 | Screw | 85 | 133 | 1 | 2 605 104 339 | Motor Housing Cover | 70 |
| 44 | 1 | See pos. 746 | Die Ring | - | 134 | 1 | 2 910 211 283 | Screw | 89 |
| 45 | 1 | See pos. 745 | Punch | - | 135 | 2 | 2 910 211 207 | Screw | 89 |
| 46 | 1 | See pos. 746 | Die | - | 136 | 1 | 3 601 110 206 | Label "on/off" | 9 |
| 47 | 1 | 2 603 414 003 | Screw | 89 | + 137 | 2 | 2 603 230 001 | Ball | 66 |
| 48 | 2 | 2 916 080 008 | Circlip | 89 | + 138 | 1 | 2 601 329 037 | Spring | 27 |
| 49 | 2 | 1 600 100 611 | Washer | 65 | A 745 | 1 | See Catalog | Punch | 94 |
| 50 | 4 | 2 916 681 005 | Lock Washer | 89 | A 746 | 1 | See Catalog | Die w/pos. 44,46 | 94 |
| 51 | 4 | 2 910 011 138 | Screw | 89 | A 755 | 1 | 1 907 950 003 | Allen Wrench 2.5mm | 9 |
| 52 | 1 | 2 600 300 047 | Sleeve | 82 | 805 | 1 | 3 604 460 555 | Cord 115V 18/2 | 11 |
| 53 | 1 | 2 605 700 182 | Intermediate Plate | 38 | 805/2 | 2 | 1 900 452 012 | Terminal Sleeve | 11 |
| 54 | 1 | 2 600 905 021 | Ball Bearing | 61 | 818 | 2 | 1 603 429 002 | Screw | 89 |
| 55 | 3 | 2 910 211 283 | Screw | 89 | 829 | 1 | 2 606 122 900 | Eccentric Assembly | 53 |
| 101 | 1 | 2 605 108 056 | Motor Housing | 71 | | | | w/pos. 29,36 | |
| 102 | 1 | 2 604 220 501 | Field 115V | 22 | 832/08 | 2 | 1 604 652 013 | Brush Spring | 27 |
| 103 | 1 | 2 604 010 821 | Armature 115V w/fan | AW | 832/09 | 1 | 3 604 321 008 | Brush Set | 26 |
| 103/6 | 1 | 2 606 610 064 | Fan | 23 | 888 | 1 | 1 601 106 990 | Nameplate | 9 |

SERVICE NOTES:

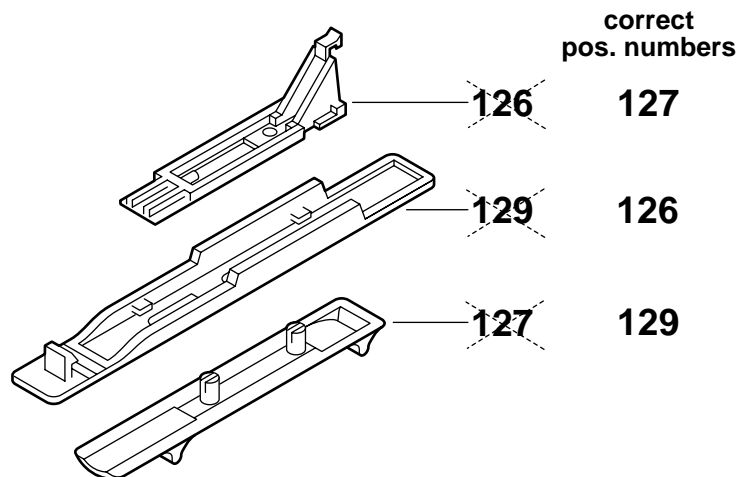
127.1 2608 001 007 Switch Slide "Deadman"

To: All Authorized and Factory Service Centers,
Field Sales and Internal Support Personnel

Re: Correction To Illustrated Drawing for Nibbler 1529A (060 1529 139)

Please insert this bulletin into the "Technical Bulletins" section of your Bosch Parts Manual, only after making any additions or notes to your Illustrated Parts List(s).

Please make the following corrections to your Illustrated Parts List dated April, 1993. The below position numbers were printed incorrectly on the illustrated drawing. The position numbers and part numbers on the parts listing (back of IPL) are correct.



All questions should be directed to your Authorized Service Manager.

Gail D. Fred
Product Service Department