

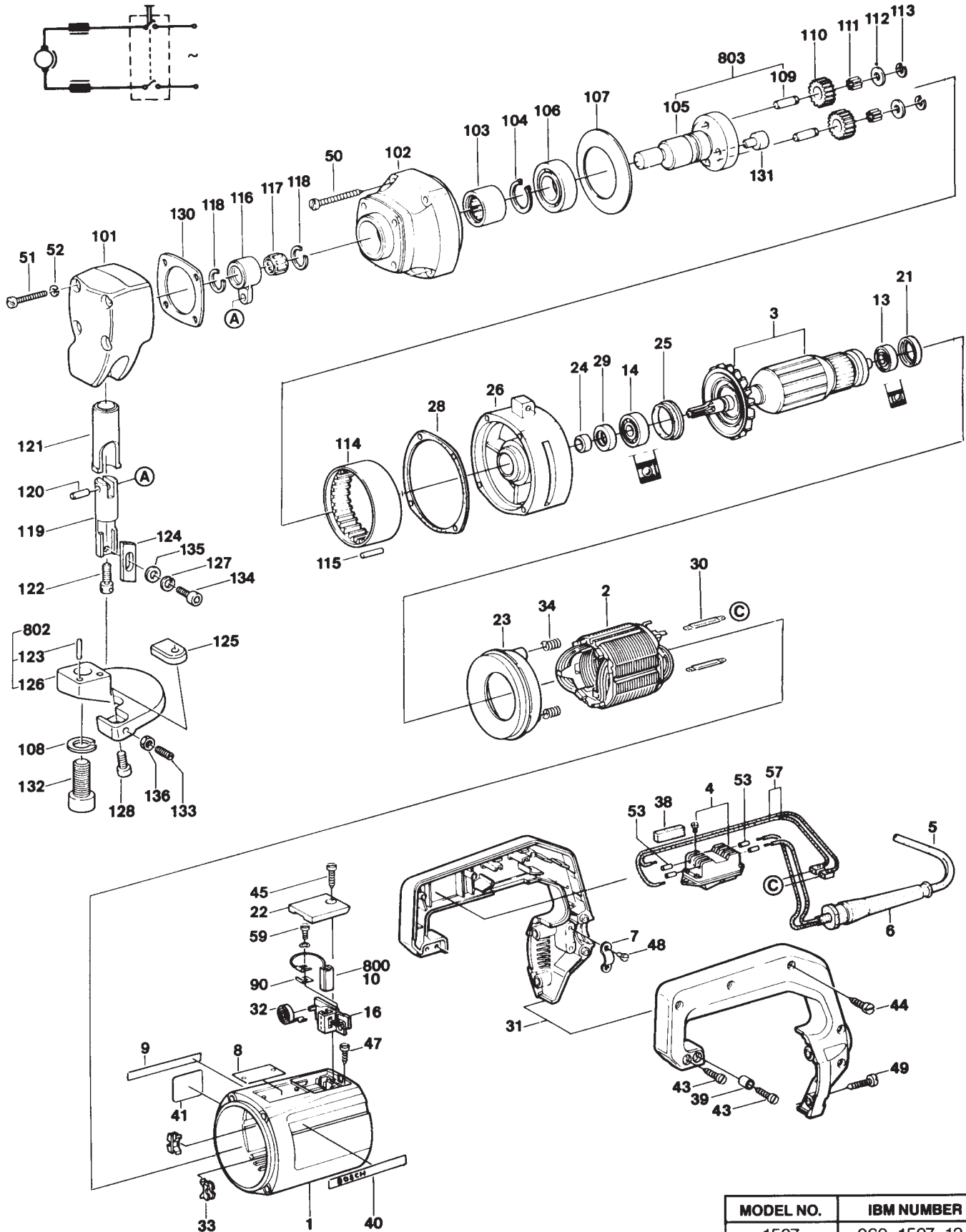


# BOSCH

## 10 GAUGE SHEAR 1507

DOUBLE INSULATED 115V

PARTS LIST—ISSUED APRIL 1991



MODEL NO.	IBM NUMBER
1507	060 1507 134

10 Gauge Shear 1507

POS. NO.	PART NO.	QTY.	DESCRIPTION	POS. NO.	PART NO.	QTY.	DESCRIPTION
1	1 605 108 128	1	Motor housing	+ 99	1 601 110 449	1	Label (Caution)
2	1 604 220 232	1	Field 115V	101	3 605 806 007	1	Gear housing
3	3 604 010 003	1	Armature w/fan 115V	102	3 605 110 024	1	Gear housing
4	1 607 200 065	1	Switch	103	3 600 910 001	1	Needle bearing
5	3 604 460 555	1	Cord	104	2 916 650 014	1	Retaining ring
6	1 600 703 010	1	Strain relief	105	See Pos #803	1	Eccentric shaft
7	1 601 302 014	1	Cord clamp	106	3 600 905 011	1	Ball bearing
8	3 601 100 008	1	Name plate	107	3 600 550 000	1	Ring
9	1 601 110 046	1	Label (Bosch)	108	2 916 690 010	1	Lock washer
10	See Pos #800	2	Brush	109	3 603 105 000	2	Pin
13	1 600 900 024	1	Ball bearing	110	3 606 316 015	2	Gear
14	1 900 905 025	1	Ball bearing	111	1 903 201 021	20	Needle
16	1 604 336 001	2	Brush holder	112	1 600 100 611	2	Washer
21	1 600 502 011	1	Rubber ring	113	2 916 080 908	2	Circlip
22	1 605 500 103	2	Brush cover	114	3 606 334 009	1	Gear ring
23	1 600 502 019	1	Air deflector	115	1 903 201 044	1	Pin
24	1 600 300 090	1	Bushing	116	3 602 001 001	1	Connecting rod
25	1 600 221 003	1	Ring	117	3 600 913 001	1	Needle bearing
26	3 605 820 017	1	Flange	118	3 600 224 005	2	Retainer
28	1 601 015 013	1	Plate	119	3 603 070 000	1	Plunger
29	1 600 290 016	1	Seal	120	3 603 100 000	1	Pin
30	1 604 477 001	2	Cable	121	3 600 422 000	1	Bushing
31	1 605 133 029	1	Handle ass'y	122	3 603 463 003	1	Screw
32	1 604 652 006	2	Spring	123	2 917 550 122	2	Pin
33	1 601 025 001	4	Clip	A124	3 608 635 000	1	Upper blade
34	1 604 613 006	2	Spring	A125	3 608 635 001	1	Lower blade
38	1 602 381 001	1	Insulating plate	126	See Pos #802	1	Foot plate
39	1 610 313 003	1	Bushing	127	2 916 680 007	1	Lock washer
40	3 601 110 153	1	Label (Bosch)	128	2 910 375 193	1	Screw
41	1 601 110 058	1	Label (Caution)	130	3 601 015 003	1	Gasket
43	2 910 211 093	2	Screw	131	3 603 120 001	1	Balance weight
44	2 910 211 022	5	Screw	132	2 910 145 392	1	Screw
45	2 910 211 219	4	Screw	133	2 912 041 197	1	Screw
+ 46	1 601 030 022	2	Tab	134	2 910 141 197	1	Screw
47	2 910 211 011	2	Screw	135	2 916 011 014	1	Washer
48	2 910 021 116	2	Screw	136	2 915 010 407	1	Nut
49	1 603 412 007	4	Screw	+ A651	1 907 950 504	1	wrench 10mm
50	2 603 435 012	4	Screw	+ 652	1 907 950 004	1	Allen wrench 3mm
51	2 910 021 213	4	Screw	800	1 607 014 126	1	Brush set
52	2 916 680 007	4	Lock washer	802	3 608 042 002	1	Foot plate ass'y w/Pos 123, 126
53	1 900 452 003	4	Terminal				
57	3 604 460 027	2	Cable	803	3 606 110 002	1	Eccentric ass'y w/Pos 105, 109
59	2 910 021 118	2	Screw				
90	1 611 331 007	2	Tab				

**Service Notes**