

BOSCH

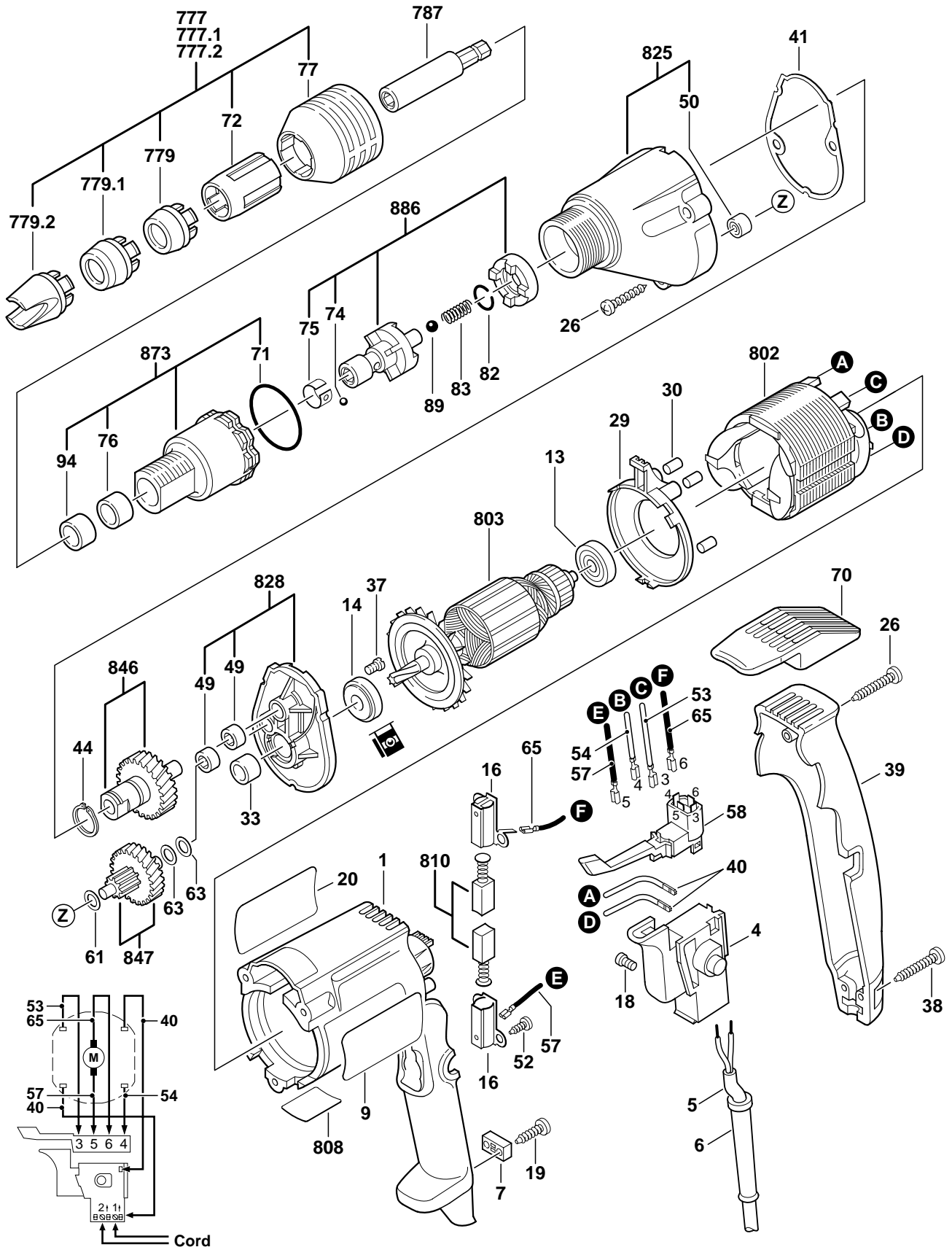
October 1997
INDUSTRIAL

FASTENER DRIVER

Model 0601423539

1423VSR

(.539)



1423VSR (.539) FASTENER DRIVER

Pos.	Part Number	Description {Qty}	F/C	Pos.	Part Number	Description {Qty}	F/C
1	2 605 104 332	Motor Housing	71	72	3 600 360 505	Adjusting Sleeve	91
4	2 607 200 203	Switch VS	17	74	1 903 230 006	Ball 3.5mm	66
5	3 604 460 555	Cord 120V 18/2	11	75	3 600 034 504	Spring Clip	9
6	2 600 703 013	Strain Relief	11	76	3 600 900 527	Bushing	82
7	2 601 035 001	Cord Clamp	89	77	3 600 390 502	Locking Ring	91
9	2 610 906 968	Label "1423VSR"	9	82	3 600 200 516	Spring Retainer	89
13	1 900 905 018	Ball Bearing	60	83	3 604 613 507	Spring	27
14	2 600 905 021	Ball Bearing	61	89	1 903 230 011	Ball 6mm	66
16	2 604 337 003	Brush Holder {2}	25	94	3 600 900 529	Bushing	82
18	2 603 410 001	Screw {2}	89	777	3 600 552 510	Depth Guage Assembly w/pos. 72, 77, 779	91
19	2 910 611 019	Screw {2}	89	777.1	3 600 552 512	Depth Guage Assembly w/pos. 72, 77, 779.1	91
20	2 610 906 869	Label "Caution"	9	777.2	3 600 552 513	Depth Guage Assembly w/pos. 72, 77, 779.2	91
26	2 910 615 082	Screw {4}	89	779	3 600 552 507	Depth Guage - Plastic	91
29	2 601 328 046	Baffle	24	779.1	3 600 552 506	Depth Guage - Metal	91
30	3 602 391 503	Rubber Buffer {3}	24	779.2	3 600 552 511	Depth Guage - Corrugated	91
33	2 600 400 008	Sleeve	82	787	3 608 550 504	Nut Setter 5/16"	9
37	2 914 411 045	Screw {2}	89	802	2 604 220 482	Field 120V	22
38	2 910 615 022	Screw {2}	89	803	2 604 010 793	Armature w/Fan 120V	AW
39	2 605 132 050	Handle Cover	74	808	3 601 119 718	Nameplate	9
40	2 604 448 005	Cable 130mm	10	810	2 604 321 914	Brush Set	26
41	3 601 016 502	Gasket	79	825	3 605 190 526	Gear Housing Assembly w/pos. 50	72
44	2 916 650 003	Retaining Ring	89	828	3 605 806 537	Intermediate Plate Assy. w/pos. 49	38
49	3 600 910 505	Needle Bearing {2}	56	846	3 606 120 567	Drive Shaft w/Gear	32
50	2 600 914 017	Needle Bearing	56	847	3 606 319 525	Gear w/Pinion	31
52	2 910 611 405	Screw {4}	89	873	3 605 190 521	Clutch Housing Assembly w/pos. 71, 76, 94	82
53	2 604 448 074	Cable 98mm	10	886	3 606 441 502	Clutch Kit w/pos. 74, 75	46
54	2 604 448 100	Cable 68mm	10				
57	2 604 448 104	Cable 60mm	10				
58	2 607 200 338	Switch REV.	16				
61	2 600 100 607	Shim 0.3mm	65				
63	2 600 100 628	Shim 0.5mm {2}	65				
65	2 604 448 102	Cable 103mm	10				
70	3 600 690 505	Belt Clip	9				
71	3 600 210 506	O-Ring	78				

Service Notes: