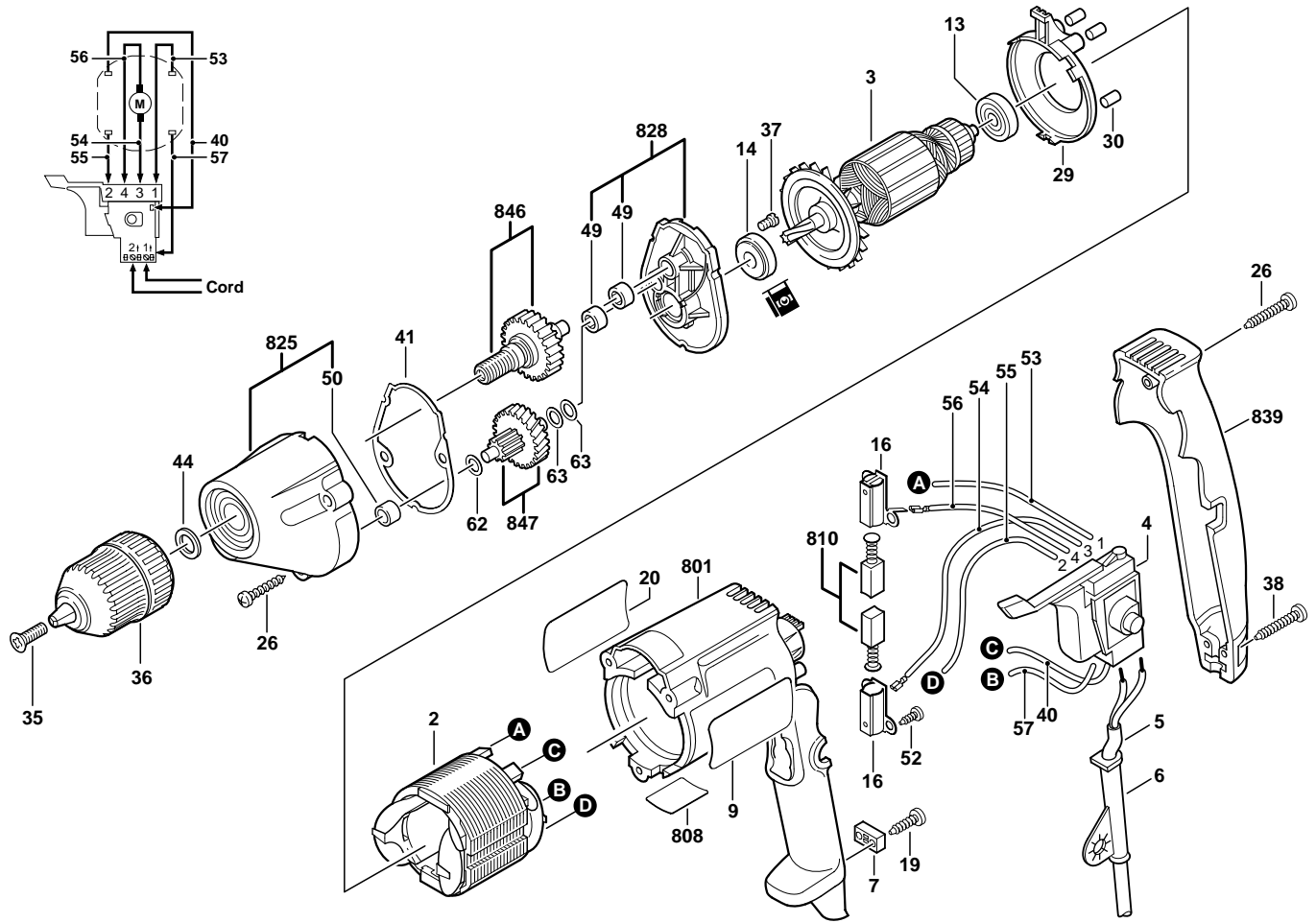


# BOSCH

October 1997  
INDUSTRIAL

3/8" DRILL  
Model 0601002739

1002VSR  
(.739)



Pos.	Part Number	Description {Qty}	F/C	Pos.	Part Number	Description {Qty}	F/C
2	2 610 910 309	Field 120V	22	44	3 600 102 505	Washer	65
3	2 610 910 307	Armature w/Fan 120V	AW	49	3 600 910 505	Needle Bearing {2}	56
4	3 607 200 523	Switch VSR	17	50	3 600 910 506	Needle Bearing	56
5	3 604 460 555	Cord 120V 18/2	11	52	2 910 611 405	Screw {4}	89
6	2 600 707 060	Strain Relief	11	53	3 604 448 501	Cable 117mm	10
7	2 601 035 001	Cord Clamp	89	54	3 604 448 502	Cable 48mm	10
9	2 610 906 802	Label "1002VSR"	9	55	3 604 448 503	Cable 78mm	10
13	1 900 905 018	Ball Bearing	60	56	3 604 448 504	Cable 88mm	10
14	2 600 905 021	Ball Bearing	61	57	3 604 448 505	Cable 122mm	10
16	2 604 337 003	Brush Holder {2}	25	62	2 600 101 654	Washer	65
19	2 910 611 019	Screw {2}	89	63	2 600 100 628	Shim 0.5mm {2}	65
20	2 610 906 850	Label "Caution"	9	801	3 605 108 557	Motor Housing	71
26	2 910 615 082	Screw {4}	89	808	3 601 119 718	Nameplate	9
29	3 600 590 505	Baffle	24	810	2 604 321 914	Brush Set	26
30	3 602 391 503	Rubber Buffer {3}	24	825	3 605 190 513	Gear Housing Assembly w/pos. 50	72
35	3 603 430 507	Rev. Screw	85	828	3 605 806 537	Intermediate Plate Assy. w/pos. 49	38
36	2 610 910 300	3/8" Keyless Chuck	91	839	3 605 133 521	Handle Cover	74
37	2 914 411 045	Screw {2}	89	846	3 606 120 553	Spindle 3/8"-24 w/Gear	32
38	2 910 615 022	Screw {2}	89	847	3 606 319 520	Gear w/Pinion	31
40	3 604 448 500	Cable 162mm	10				
41	3 601 016 502	Gasket	79				

+ = Not Illustrated \* = As Required F/C = Failure Code AW = Refer to AW Labor Time Chart

S-B Power Tool Company Chicago IL 60646-5999

